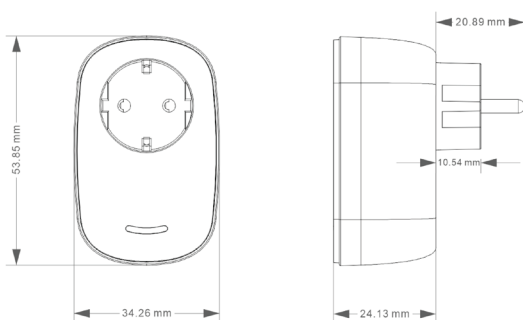


**SL-PPREC01AC-K60**

230V AC SWITCH ADAPTER

**TECHNICAL DRAWING****PRODUCT FEATURES**

- ▶ 230V AC MONO ON - OFF receiver as receiver for push power switch
- ▶ Connection of 230V AC products with a maximum output of 3680 watts (~220V AC)
- ▶ Up to 10 switch buttons (2-way or 4-way switches) or switch components can be connected.
- ▶ Radio-based range up to 80 meters.
- ▶ Functions: ON - OFF
- ▶ Repeater Mesh function to activate & deactivate

**ASSEMBLY**

- ▶ Adapter is plugged in between 230V AC power connections.

**DIMENSIONS**

- ▶ Housing dimensions (LxDxH): 54 x 34 x 45 mm

**TECHNICAL FEATURES**

- ▶ Transfer protocol: RF 433 mhz
- ▶ Range (without mesh): 30 meters (indoors)
- ▶ IP Rating: IP20
- ▶ Input voltage: 220 - 240 AC 50/60Hz
- ▶ Output power: 1 channel / 16 A  
3680 Watt (~ 220V AC)  
1500 Watt (~ 220V AC LED)
- ▶ Standby Power: <0.3 Watt
- ▶ Receiver Sensitivity: -110dBm
- ▶ Operating temperature: -20°C to +55°C

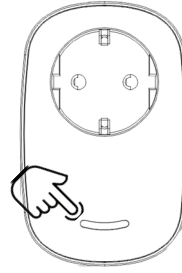
**SAFETY AND INSTALLATION INSTRUCTIONS**

- ▶ **Attention, this product is operated with 230V AC voltage!**
- ▶ Installation may only be carried out by qualified electricians.
- ▶ This product is not a toy and is not suitable for children!
- ▶ The SIRO LED system is only suitable for indoor use.
- ▶ Unprotected outdoor use is not permitted.
- ▶ Contact with moisture must be avoided at all costs!

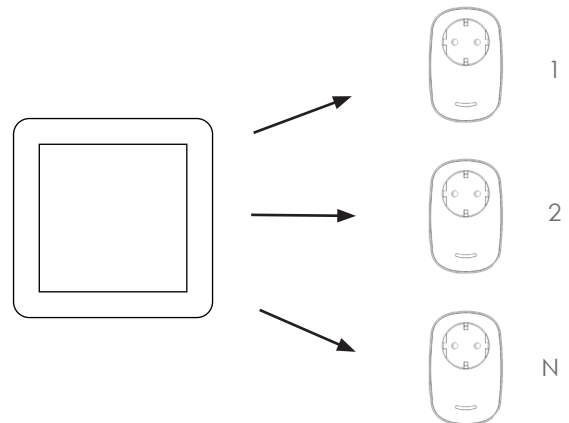
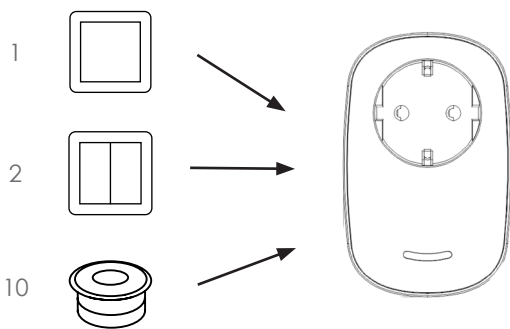
## GENERAL FUNCTIONS

Single click on indicator light:

Switching on or off



## POSSIBLE COMBINATIONS



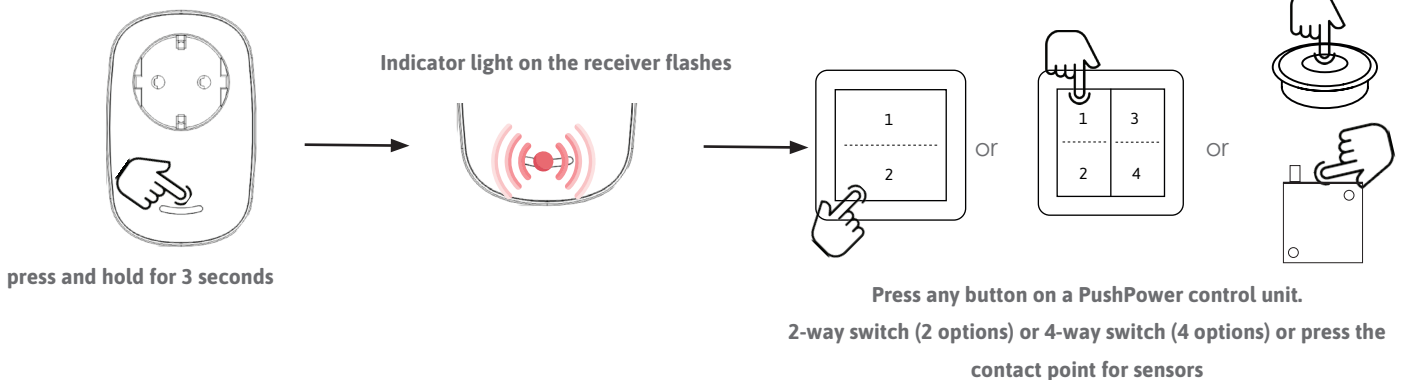
### More controls on one receiver

a maximum of 10 PushPower control units (sensors, push buttons, etc.) can be connected to one receiver.

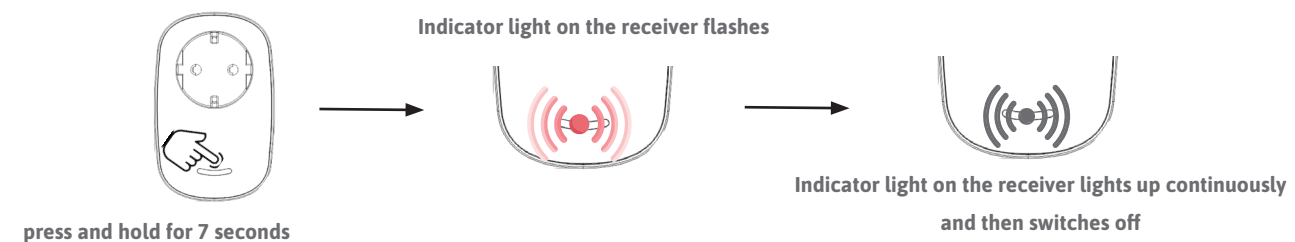
### One control on several receivers

1 PushPower control unit can control any number of receivers to control.

## CONNECTING THE CONTROL UNIT & RECEIVER



## RESET RECEIVER



**RoHS** 

Must not be disposed of with household waste.  
Must not be disposed of in household waste.

SIRO fittings and metal goods factory  
Spiefeldstrasse 12  
4452 Ternberg, Austria

Tel . +43 (0)7256.6020.0  
Fax . +43 (0)7256.8932  
E-mail office@siro.at  
Web . www.siro.at

© 2023 All rights reserved. All rights reserved