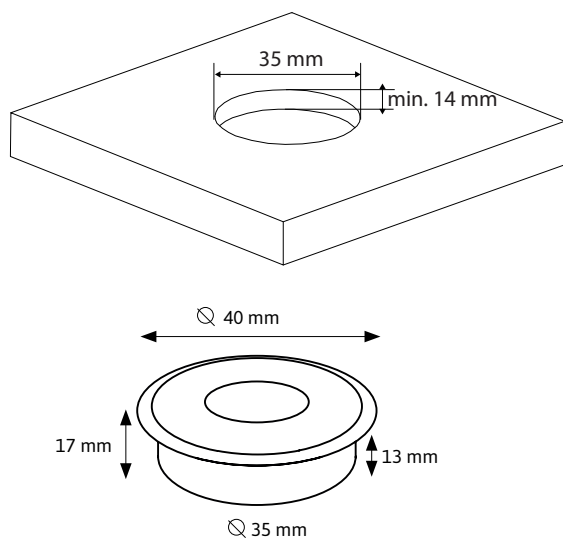


SL-PP40K1

Push button 40 mm



TECHNICAL DRAWING



PRODUCT FEATURES

- ▶ Push button for milling with 35 mm diameter.
- ▶ No battery and no wiring necessary!
- ▶ Battery-free device without external power supply.
- ▶ Transmission energy is generated from mechanical energy when the push button is pressed.
- ▶ Radio-based range up to 80 meters.
- ▶ Push Button can be connected to any number of Push Power Receivers.
- ▶ Functions: ON - OFF - DIM for MONO receiver ON - OFF - DIM for DUO receiver (no color change possible!)
- ▶ A changeover switch function is provided when several switches are used.
- ▶ Available in white (K60) and black (K1) versions

ASSEMBLY

- ▶ Can be milled with 35 mm cup hole drill
- ▶ Milling diameter 35 mm
- ▶ Milling depth: min. 14 mm

DIMENSIONS

- ▶ Push button (DxH): 40 x 17 mm

TECHNICAL FEATURES

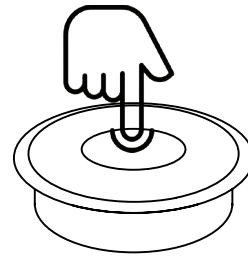
- ▶ Transfer protocol: RF 433 mhz
- ▶ Range (without mesh): 30 meters (indoors)
- ▶ IP Rating: IP20

SAFETY AND INSTALLATION INSTRUCTIONS

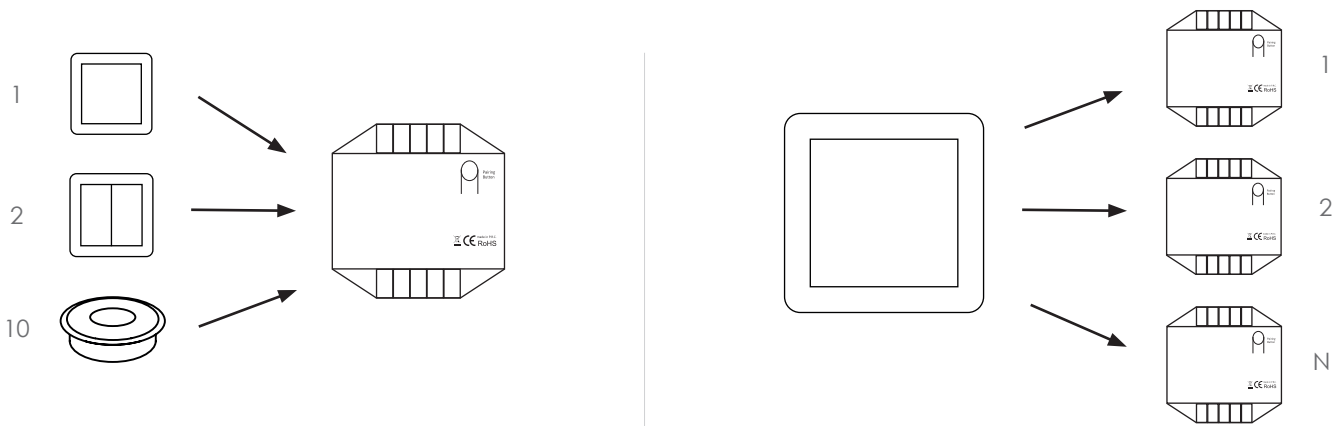
- ▶ This product is not a toy and is not suitable for children!
- ▶ The SIRO LED system is only suitable for indoor use. Unprotected outdoor use is not permitted. Contact with moisture must be avoided at all costs!

GENERAL FUNCTIONS

Single click:	Switching on or off
Click and hold:	Dimming 0 - 100%
Click and hold when switched off:	Night mode (5% brightness)



POSSIBLE COMBINATIONS



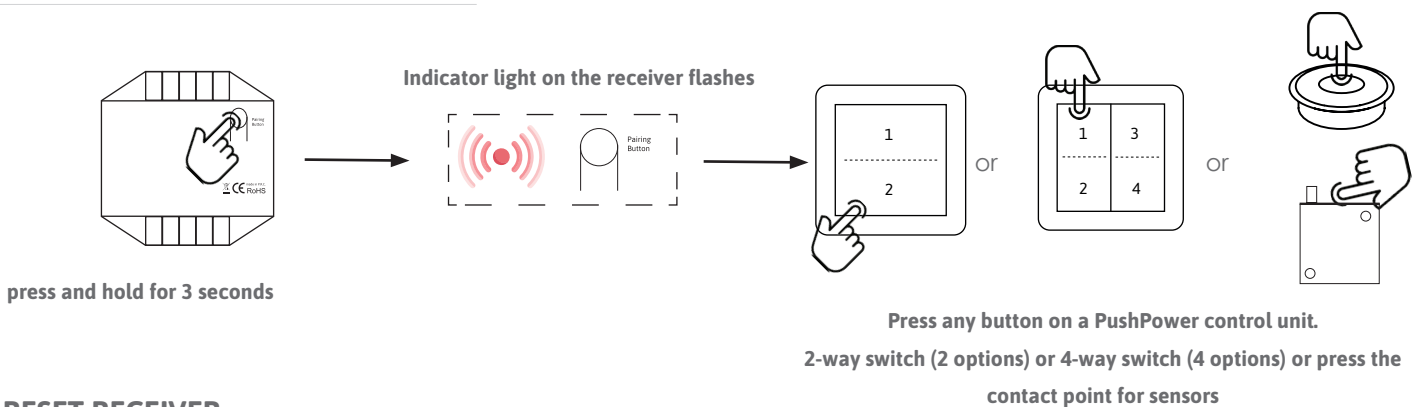
More controls on one receiver

a maximum of 10 PushPower control units (sensors, push buttons, etc.) can be connected to one receiver.

One control on several receivers

1 PushPower control unit can control any number of receivers to control.

CONNECTING THE CONTROL UNIT & RECEIVER



RESET RECEIVER

