



DECEUNINCK-DEFORCE

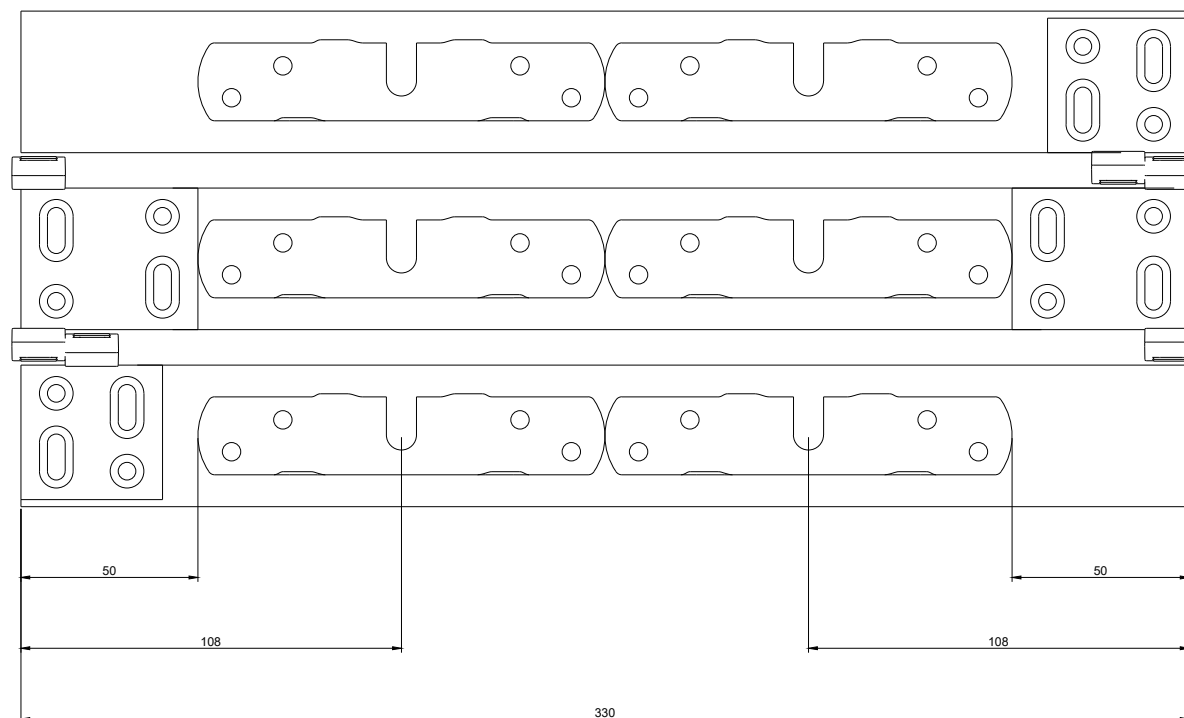
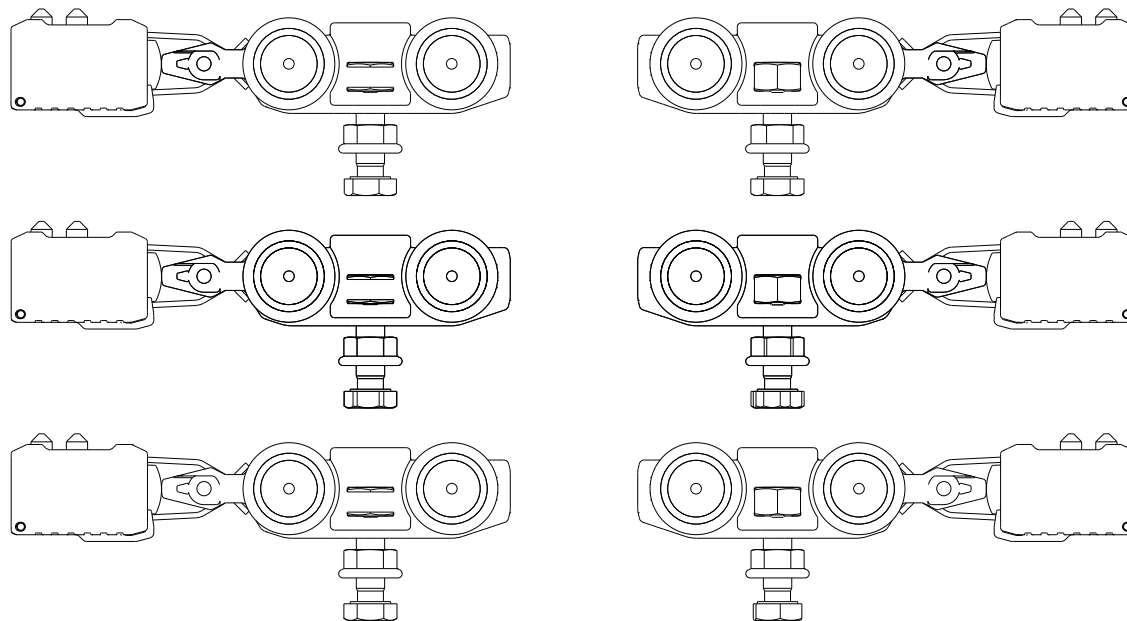
**XPERTA**

**PARALLELE DEUR 3X**

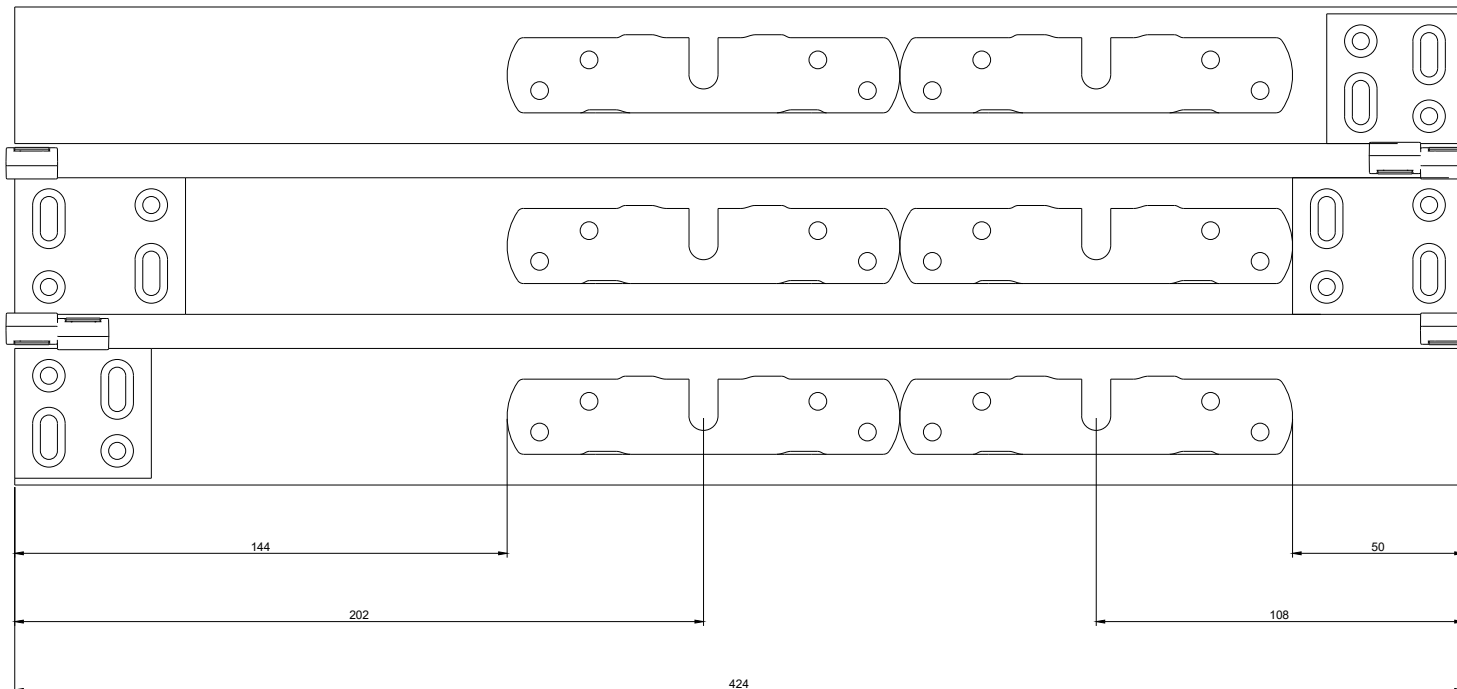
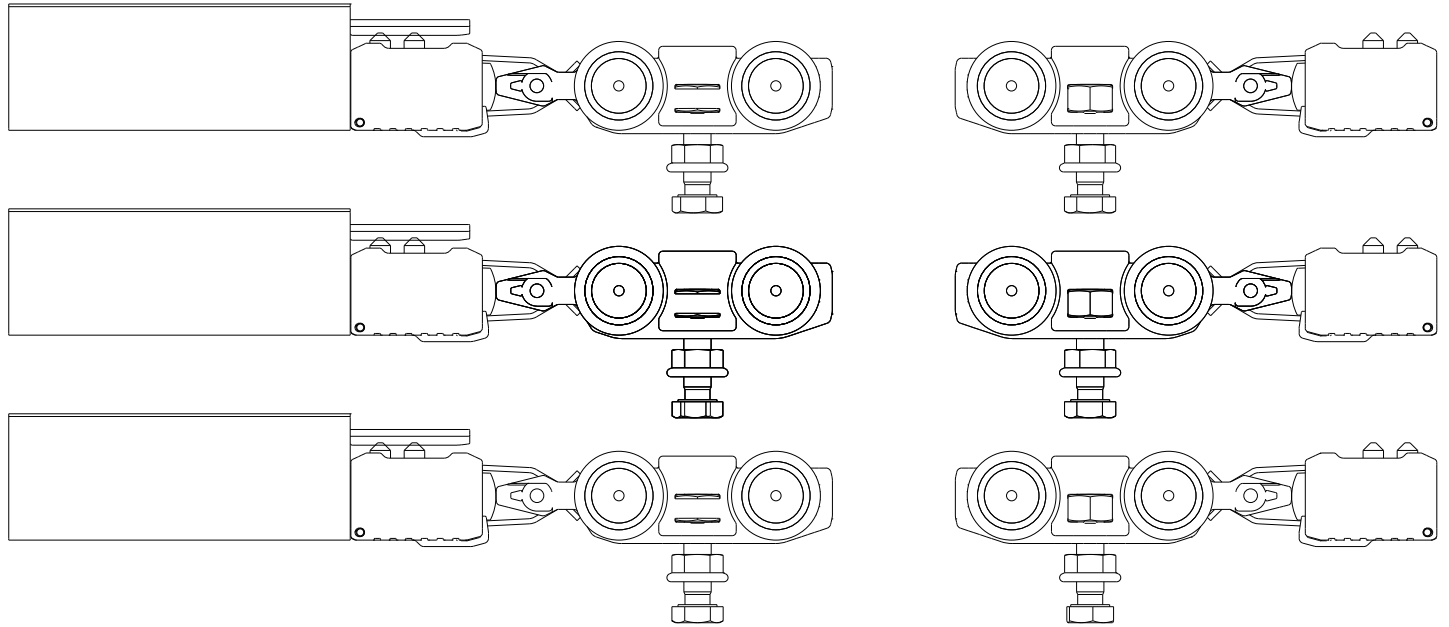
#### INHOUD

1. Standaard fix - stopper	2
2. Standaard fix - stopper + ESSI	3
3. Standaard fix - softclose	4
4. Standaard fix - softclose + ESSI	5
5. Manuele fix - stopper	6
6. Manuele fix - stopper + ESSI	7
7. Manuele fix - softclose	8
8. Manuele fix - softclose + ESSI	9
9. Automatische fix - stopper	10
10. Automatische fix - stopper + ESSI	11
11. Automatische fix - softclose	12
12. Automatische fix - softclose + ESSI	13

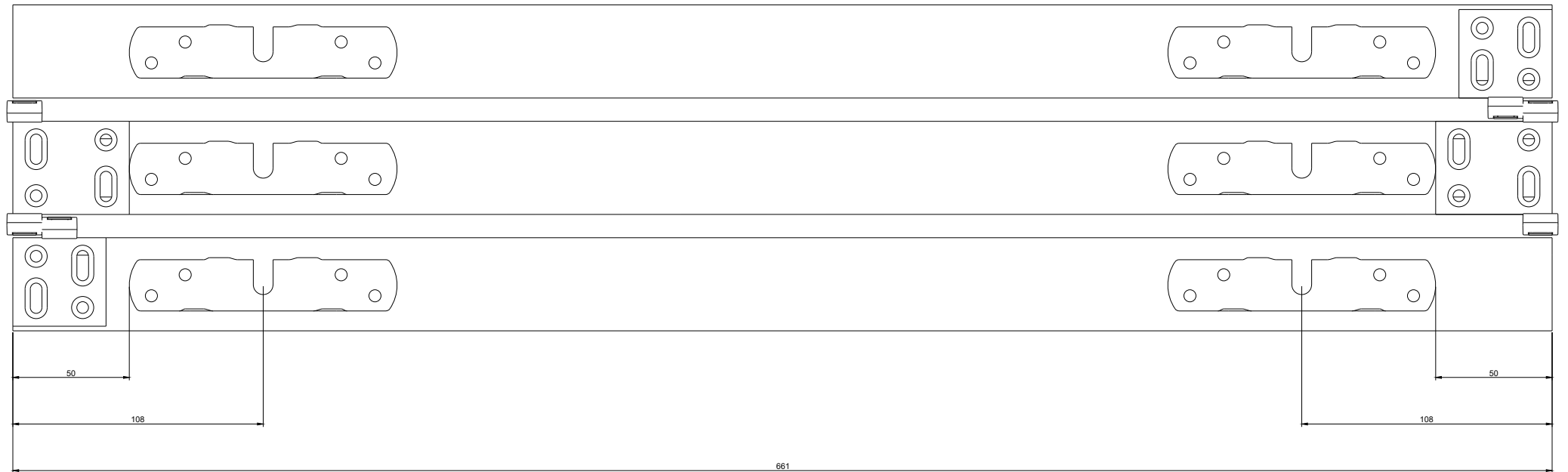
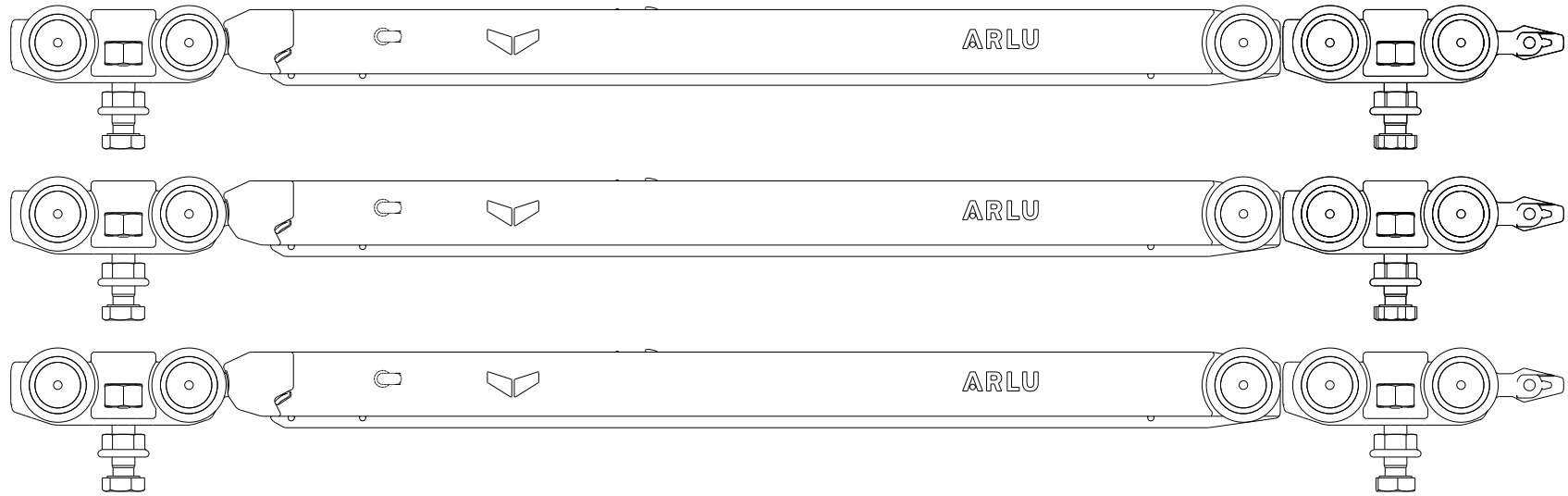
# 1. STANDAARD FIX - STOPPER



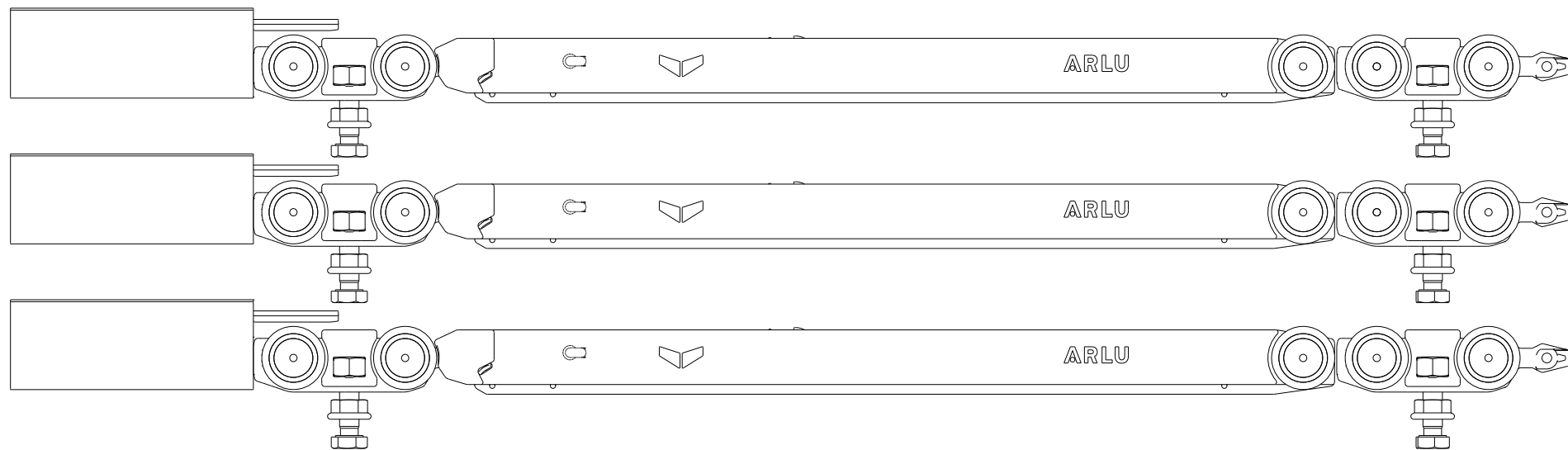
## 2. STANDAARD FIX - STOPPER + ESSI



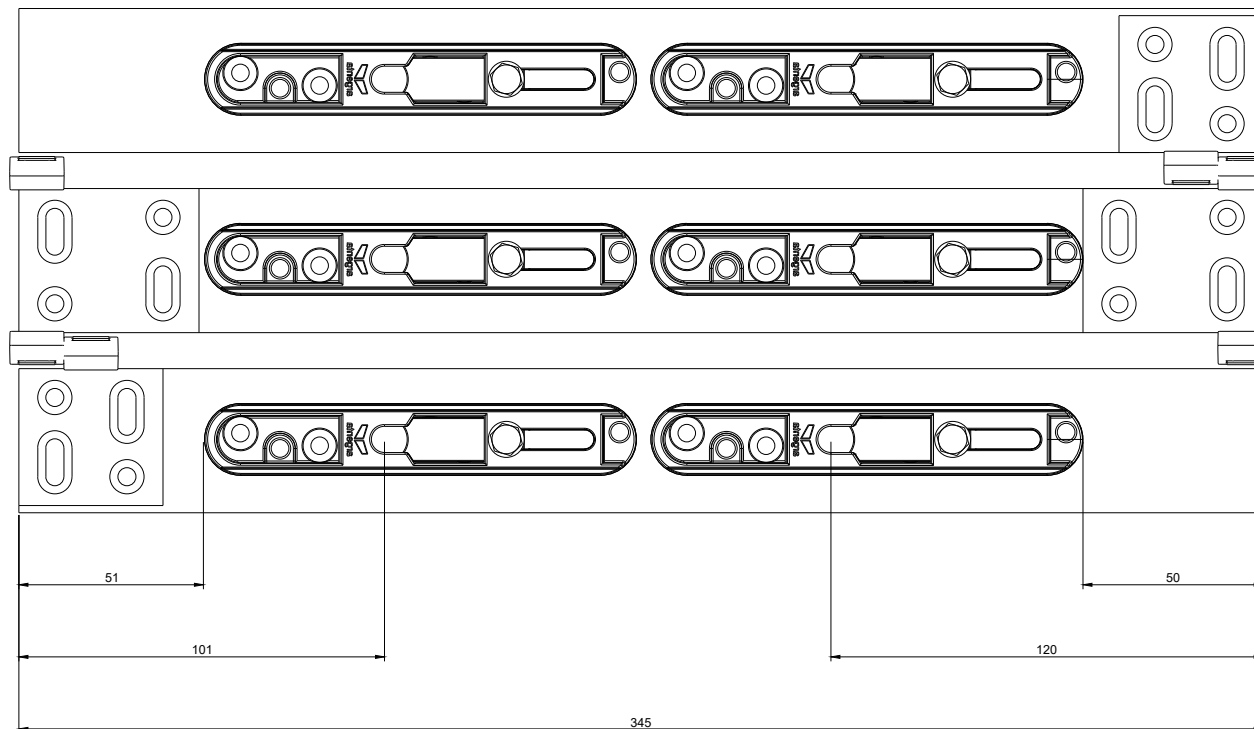
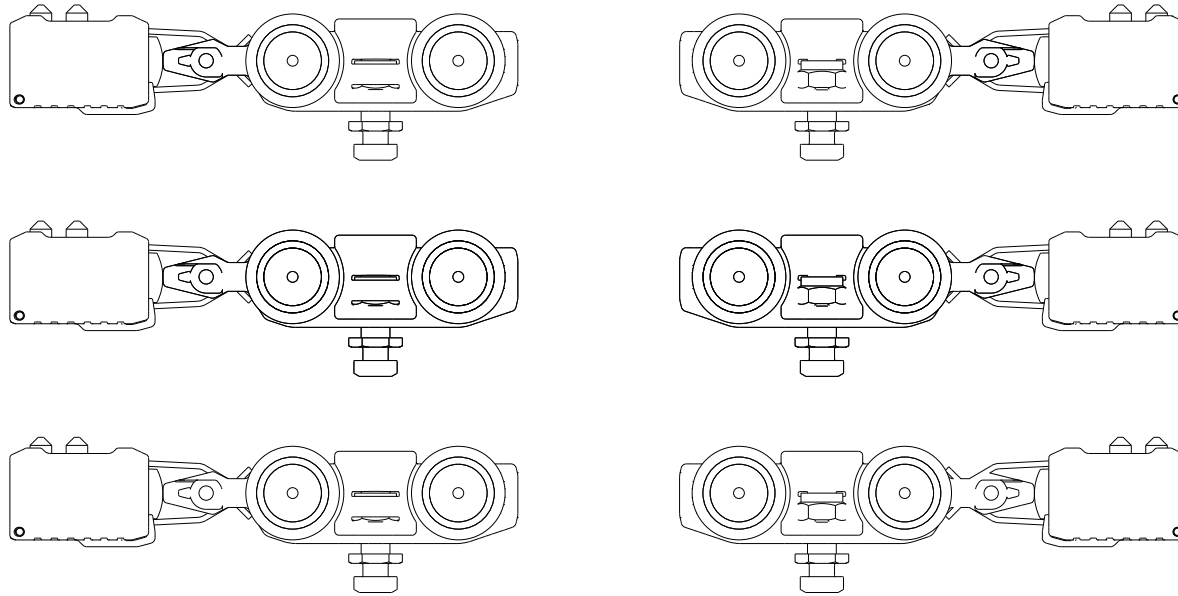
### 3. STANDAARD FIX - SOFTCLOSE



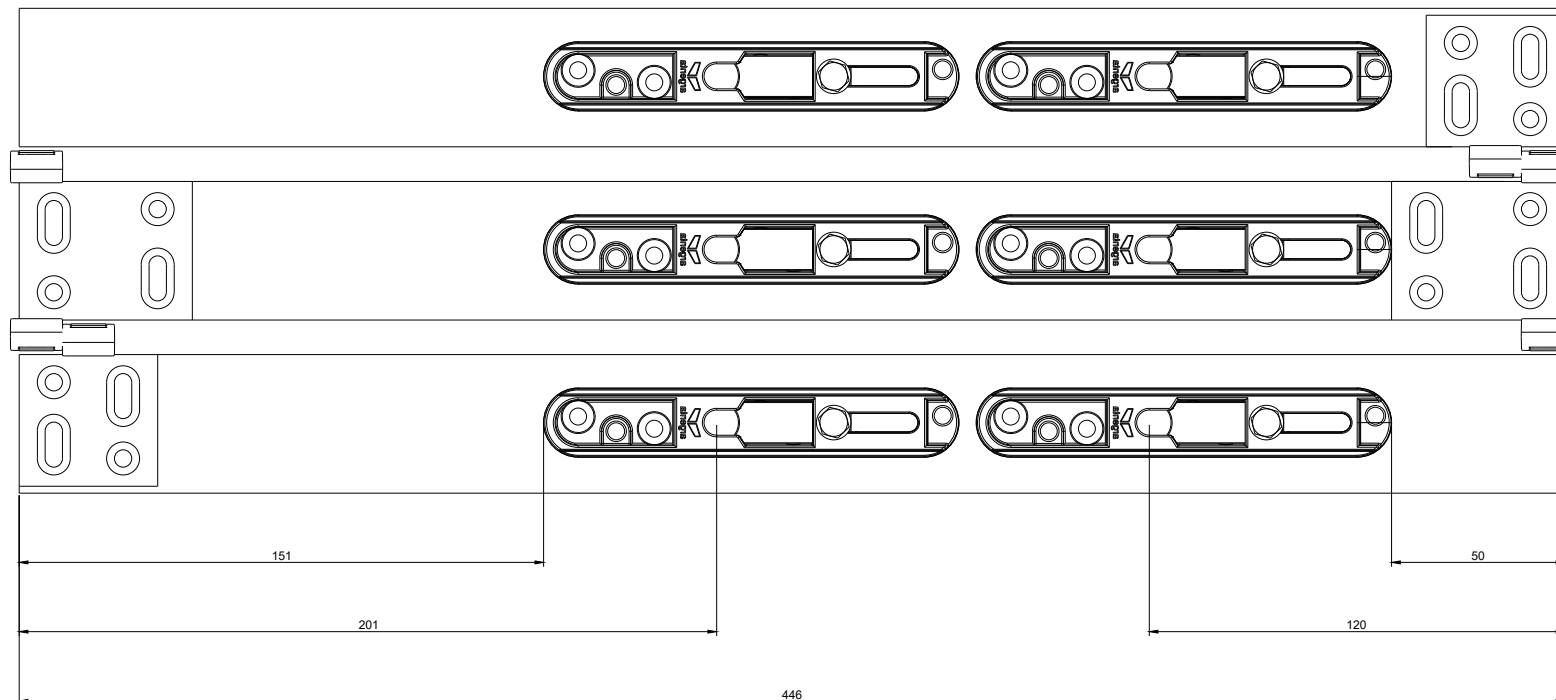
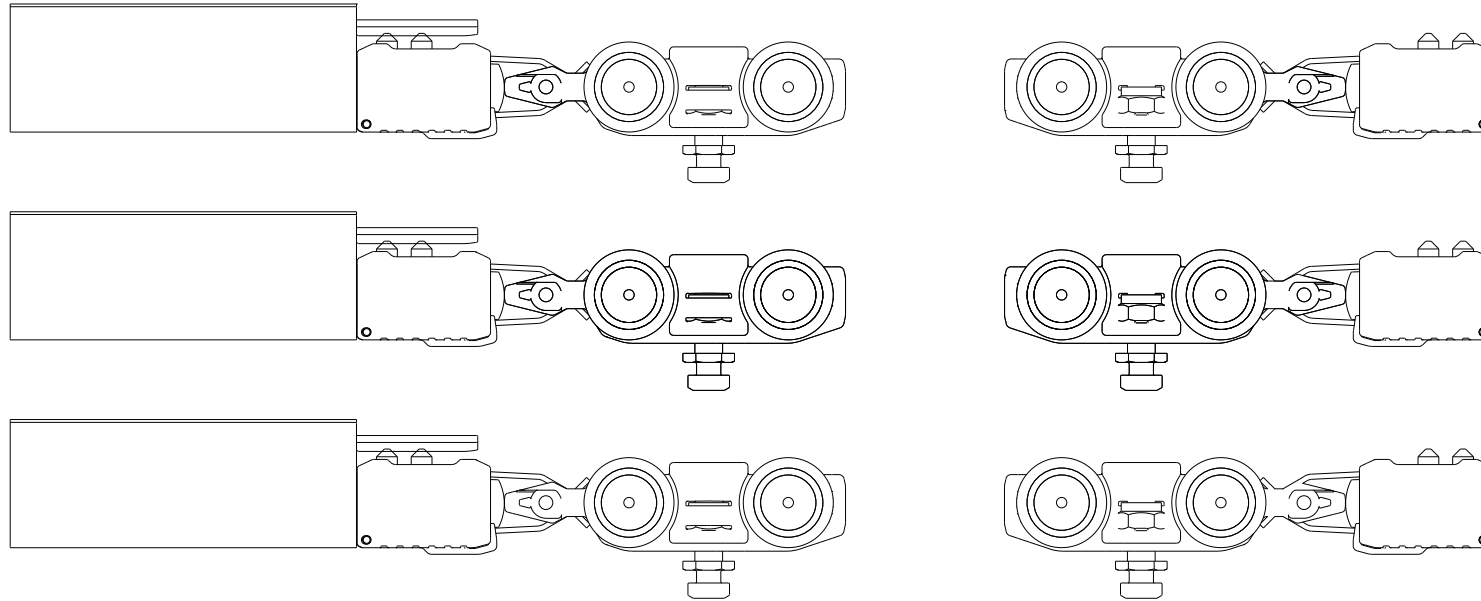
## 4. STANDAARD FIX - SOFTCLOSE + ESSI



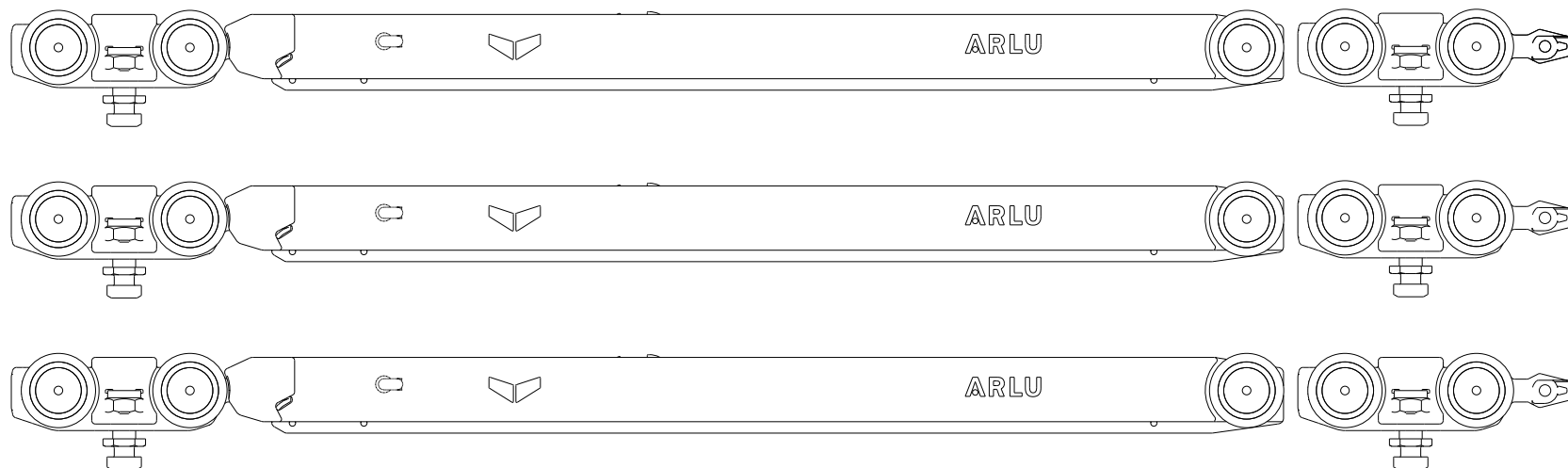
## 5. MANUELE FIX - STOPPER



## 6. MANUELE FIX - STOPPER + ESSI

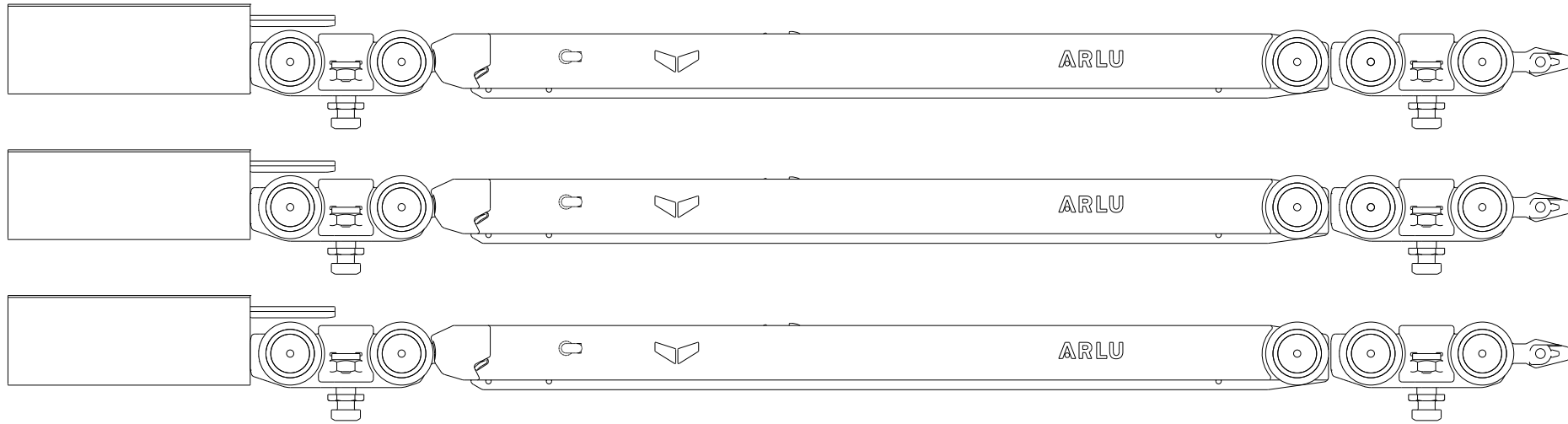


# 7. MANUELE FIX - SOFTCLOSE

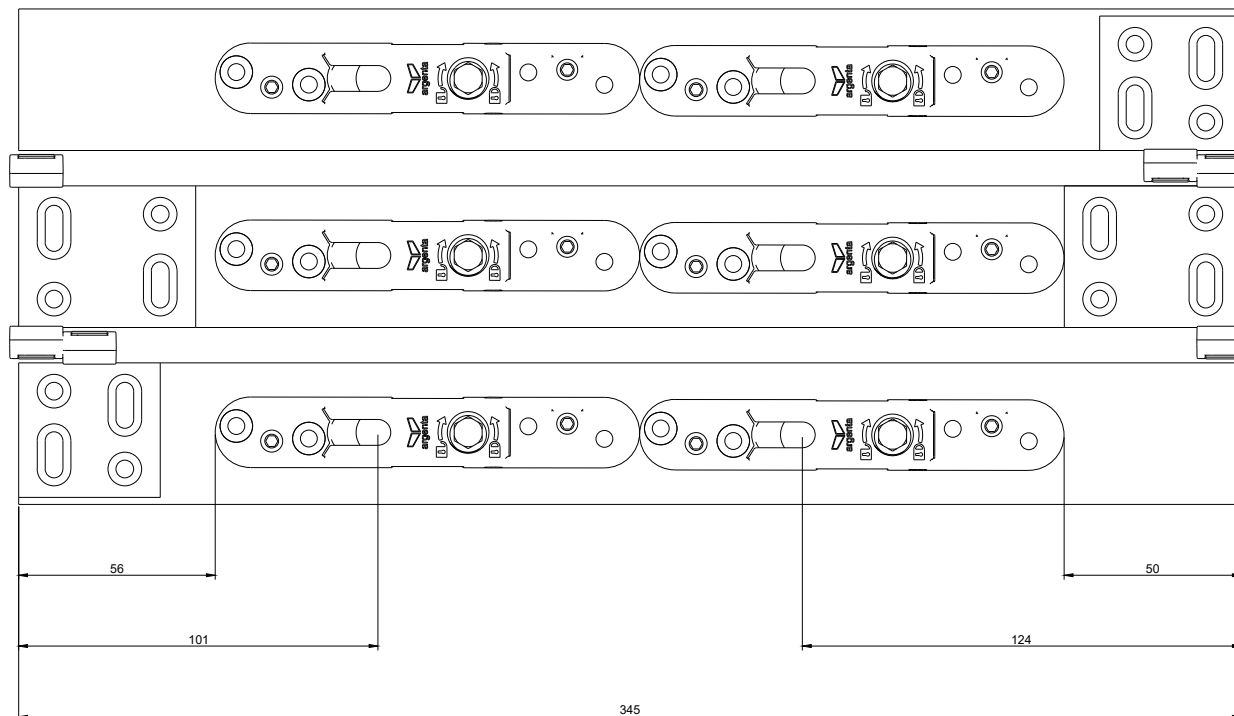
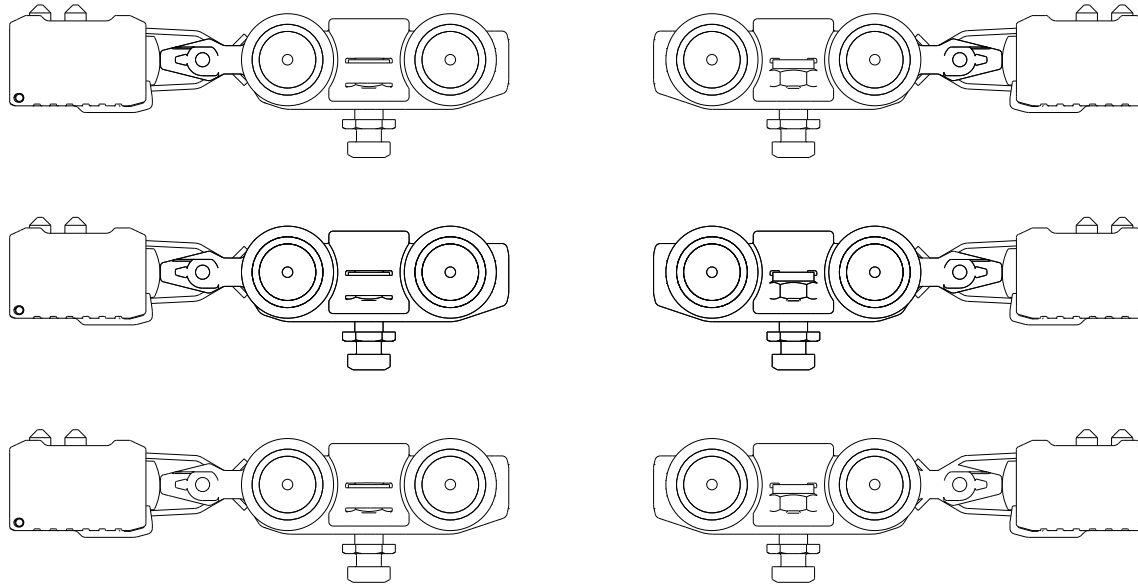




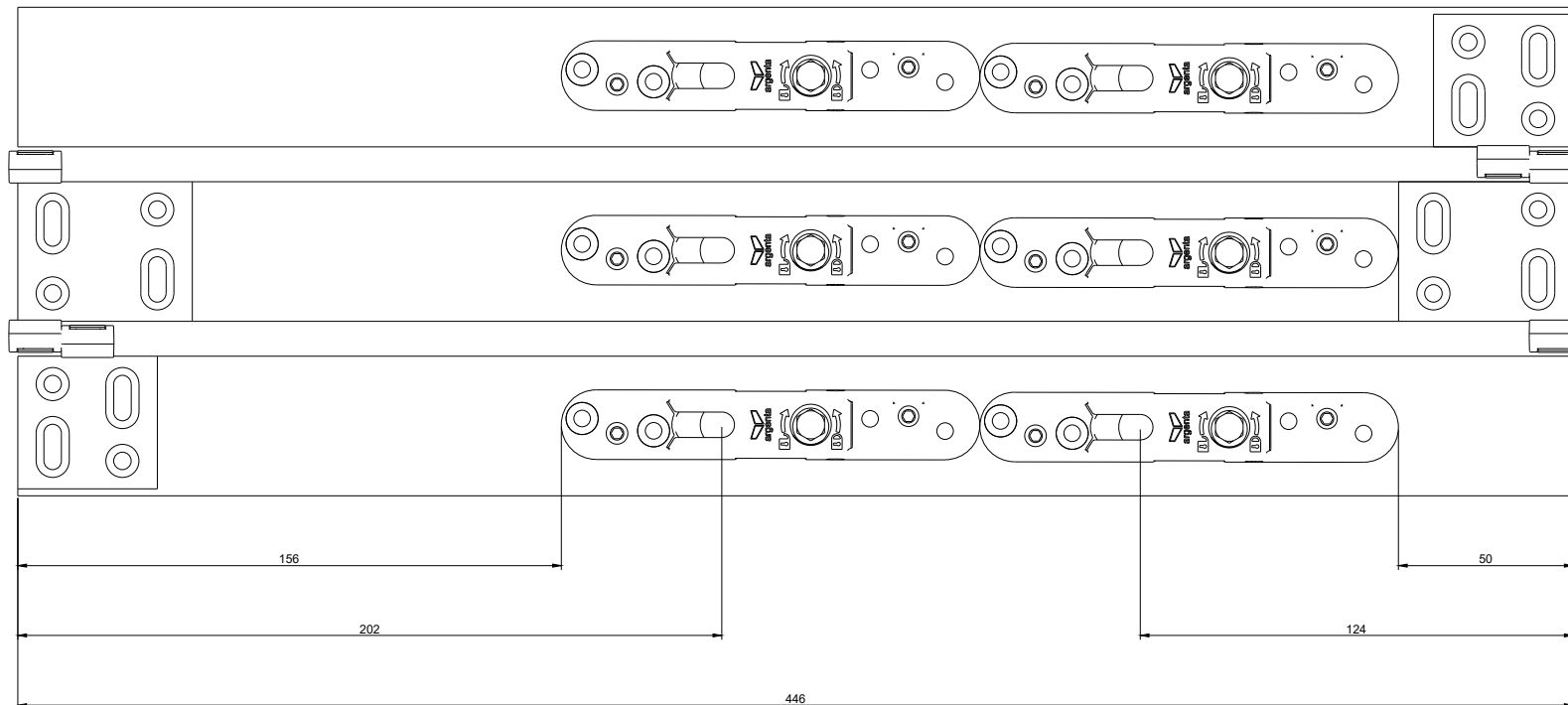
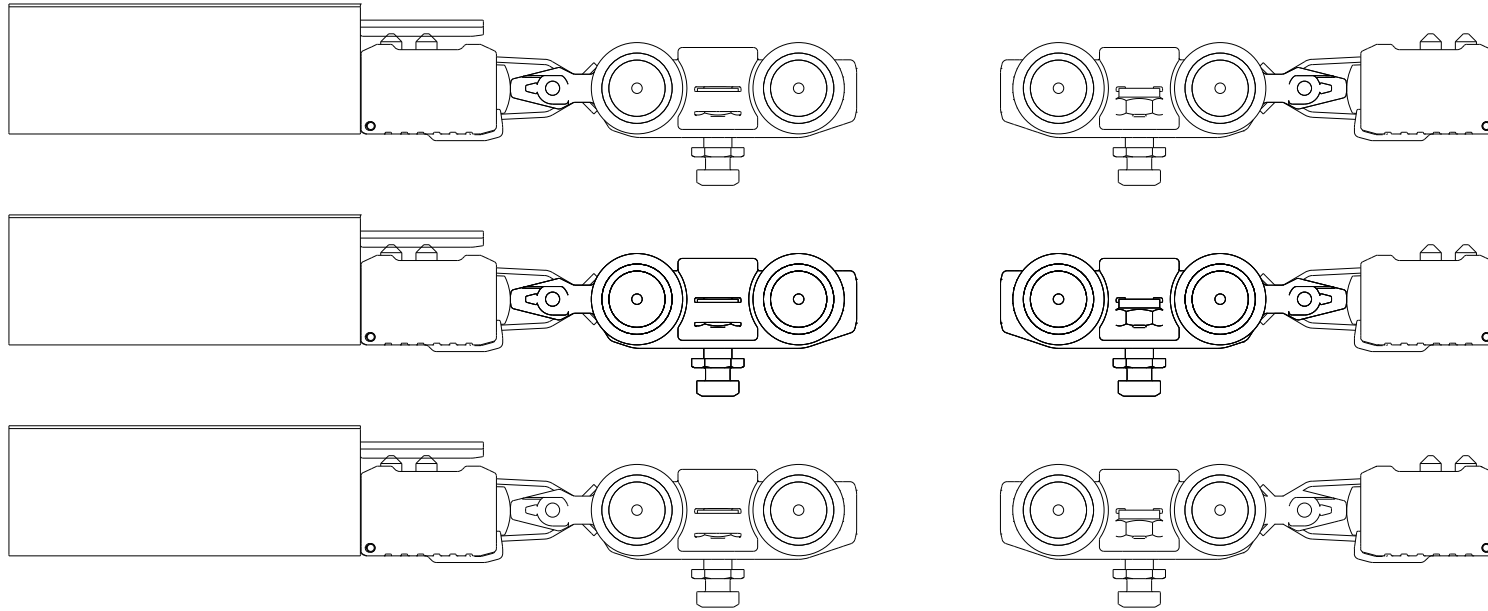
## 8. MANUELE FIX - SOFTCLOSE + ESSI



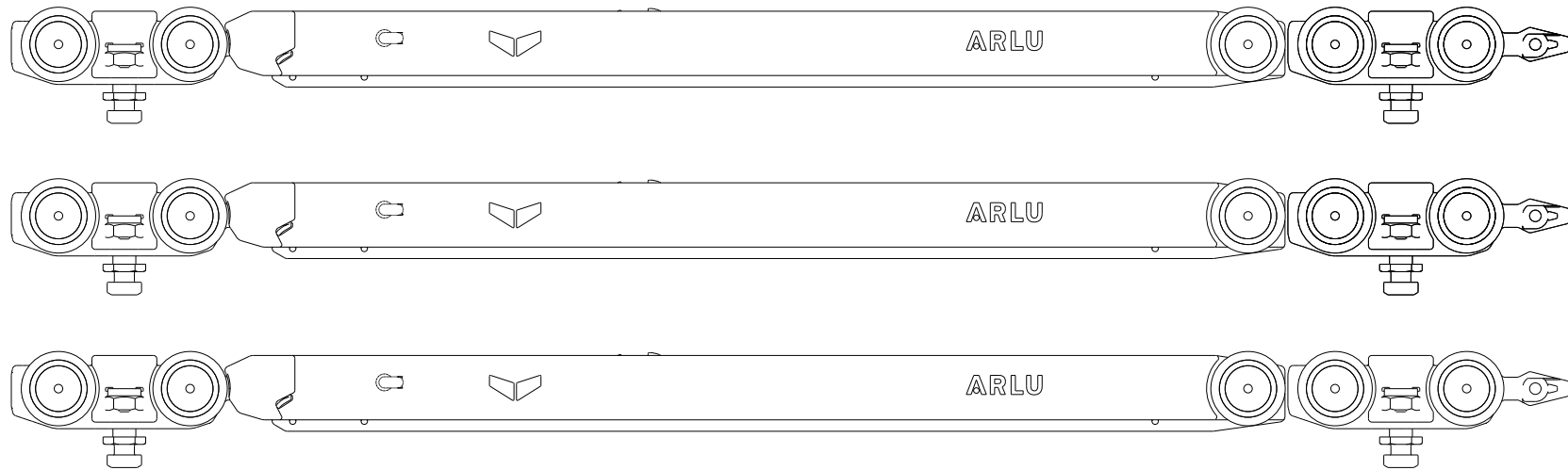
## 9. AUTOMATISCHE FIX - STOPPER



# 10. AUTOMATISCHE FIX - STOPPER + ESSI



# 11. AUTOMATISCHE FIX - SOFTCLOSE



## 12. AUTOMATISCHE FIX - SOFTCLOSE + ESSI

