







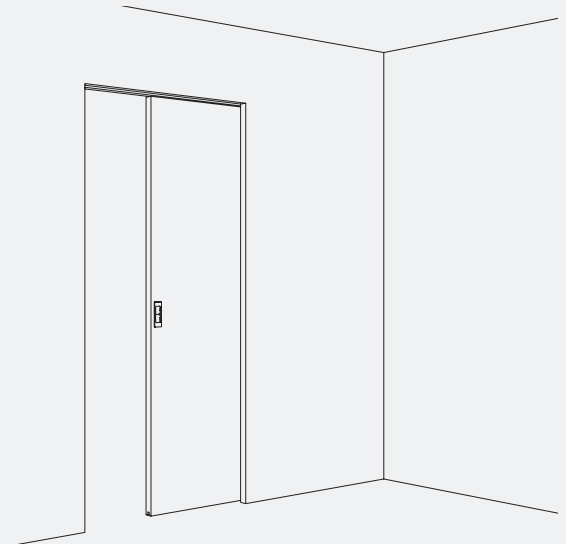
Fitting for top-running wooden doors up to 120 kg (264 lbs.), with surface mounted running track or running track flush with the ceiling. Optionally with soft and self closing mechanism. Wall or ceiling mounting. Wall pocket solution.

Product highlights

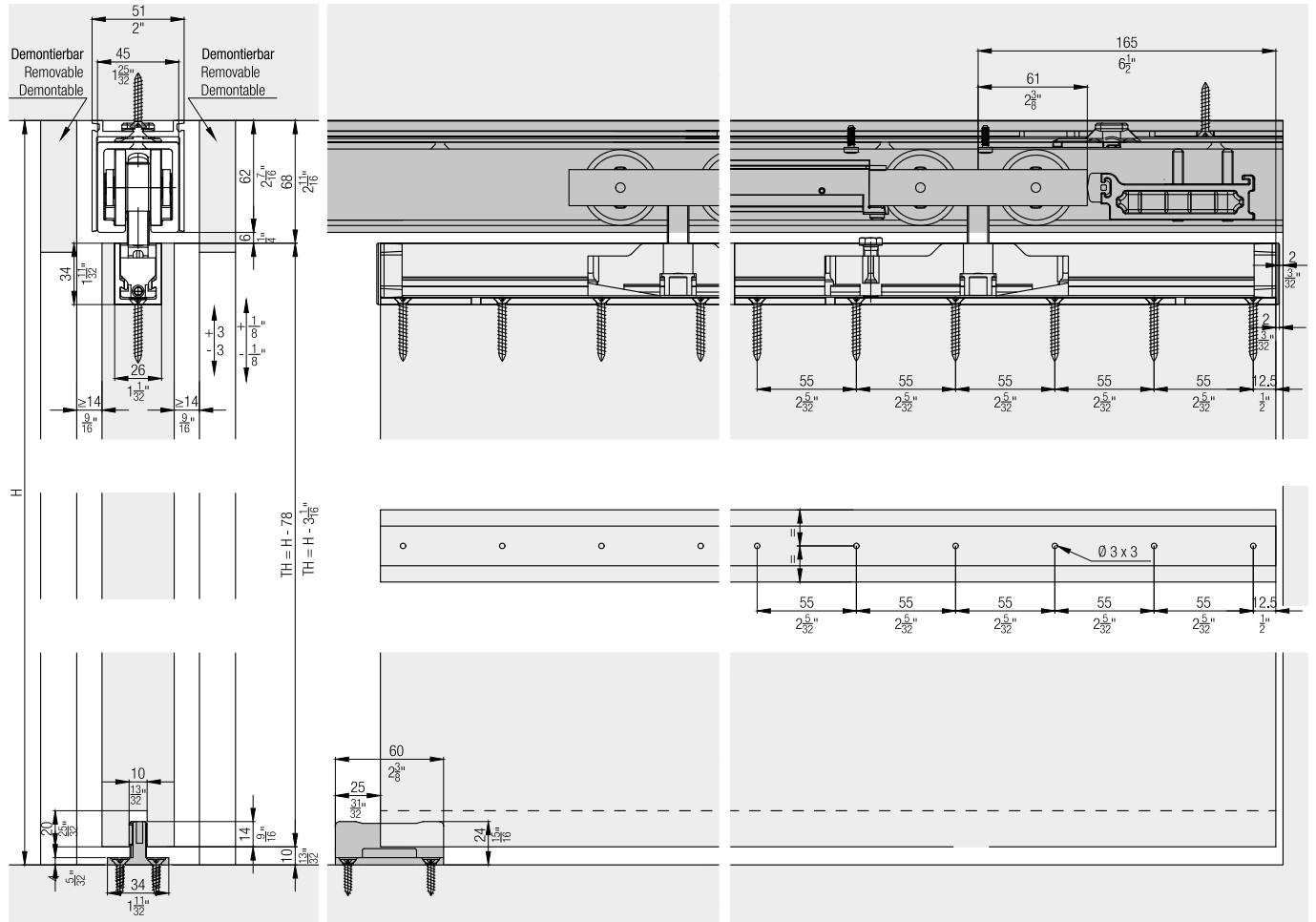
-  **Flexibility** The running track can be installed and removed at any time
-  **Aesthetics** Thanks to integrated spring stop with Push-to-open function, there are no visible hardware components, door milling grooves or spring handles at the edge of the door

Technical specifications

-  Max. 120 kg (264 lbs.)
-  Max. 4000 mm (13'1 15/32")
-  Max. 1500 mm (4'11 1/16")
-  35–80 mm (1 3/8" to 3 5/32")



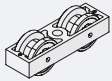
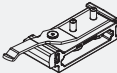


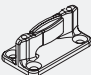

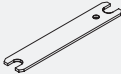
Installation examples



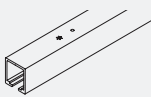
Set for 1 wooden door up to 120 kg (264 lbs.)

	No.
Hawa Junior 120 B, for 1 door	25908

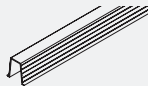
Set consisting of:

		25908	No.
	Two-wheeled running gear, M12, plastic wheels	2	25900
	Track stopper, with adjustable retention spring	1	14858
	Suspension profile, with plate M12	2	14934
	Cover cap for glass suspension profile, plastic, anthracite	2	20907
	Bottom guide, zero tolerance, groove width 10 mm (13/32"), plastic black	1	14427
	Screw-on rubber door stop	1	10629
	Suspension assembly locking wrench	1	14861

Running tracks

		mm (inch)	No.
	Running track, aluminum, anodized, pre-drilled	2,500 (8' 2 7/16")	14866
		3,000 (9' 10 1/8 ")	14867
		cut to size	14871

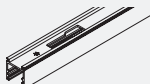

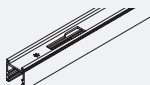

Guide tracks

		mm (inch)	No.
	Guide track, for groove mounting, plastic, 10-piece set	1,300 (4' 3 3/16")	14540


Assembly set

	No.
Set for mountable and demountable running track, up to 2500 mm (8'2 7/16")	25994
Set for mountable and demountable running track, up to 3000 mm (9'10 1/8")	25996


Set consisting of:

		mm (inch)	25994	25996	No.
	Retainer profile with a bayonet lock, aluminum, anodized	2,535 (8' 3 13/16")	1		25915
	Small parts to retainer profile, 7-piece set		1		25993
	Retainer profile with a bayonet lock, aluminum, anodized	3,035 (9' 11 1/2 ")		1	25916
	Small parts to retainer profile, 9-piece set			1	25995

Panels

		mm (inch)	No.
	Clip-on panel, for fascia mounting, aluminum, anodized	2,000 (6' 6 3/4 ")	25986
		cut to size	27692

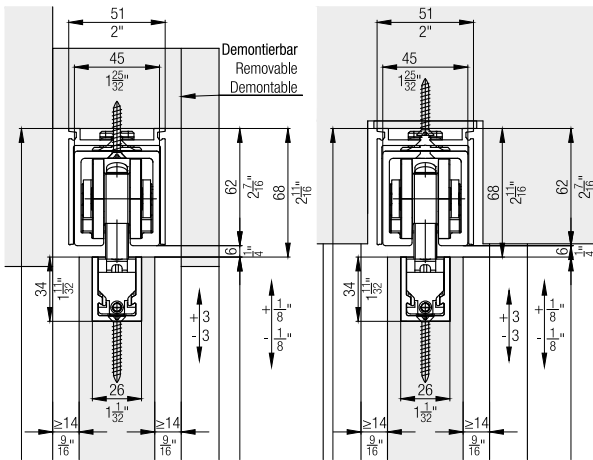
Soft close SoftMove 120
For soft closing in opening and closing direction order 2 sets.

		No.
	Soft close SoftMove 120	25988

Accessories

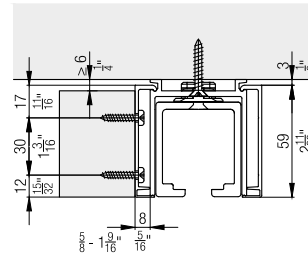
		No.
	Spring loaded door stop for door weight up to 120 kg	27202
	Bottom guide, rattle proof, groove width 10 mm (13/32"), plastic, black, 10-piece set	25958

Further installation examples



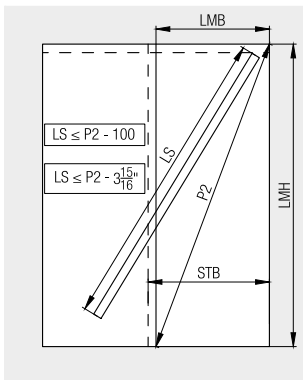
Facing for the retainer profile

The optional clip-on panel made of aluminum can be clipped onto the retainer profile without additional fixing components. For invisible fastening of the lintel panelling, there is the option of covering the clip panel on site, using panels up to 40 mm (1 9/16") thick.



Calculations of running track length

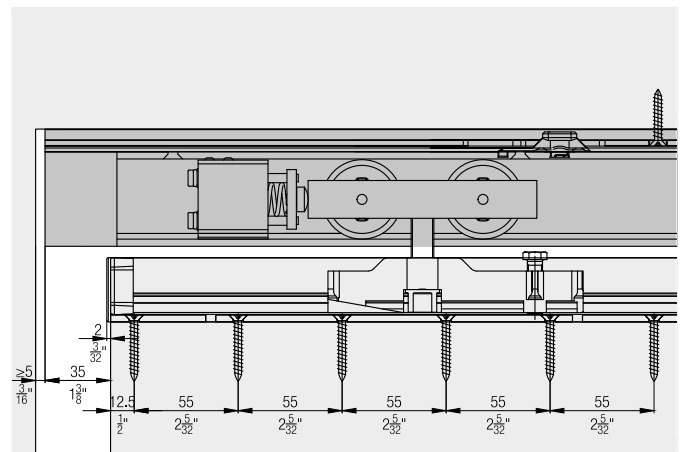
The length of the running track must be shorter than the diagonal clearance (P2) by at least 100 mm (3 15/16").



LMB = inside clearance
 LMH = inside height
 STB = sliding door width
 P2 = diagonal clearance
 LS = running track

Spring stop

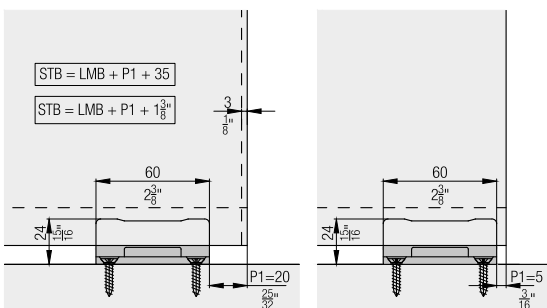
The specially developed spring stop for ejecting the door is integrated into the running track without visible fittings on the door edge.



Calculations of door width

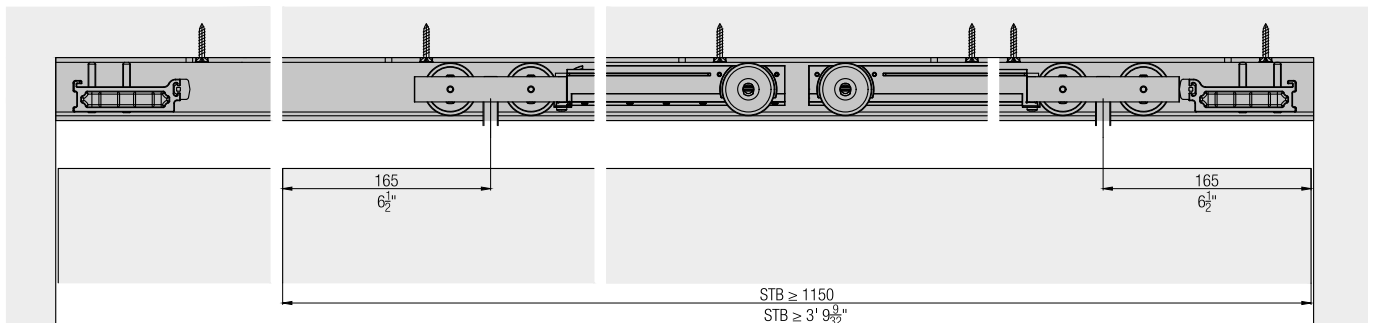
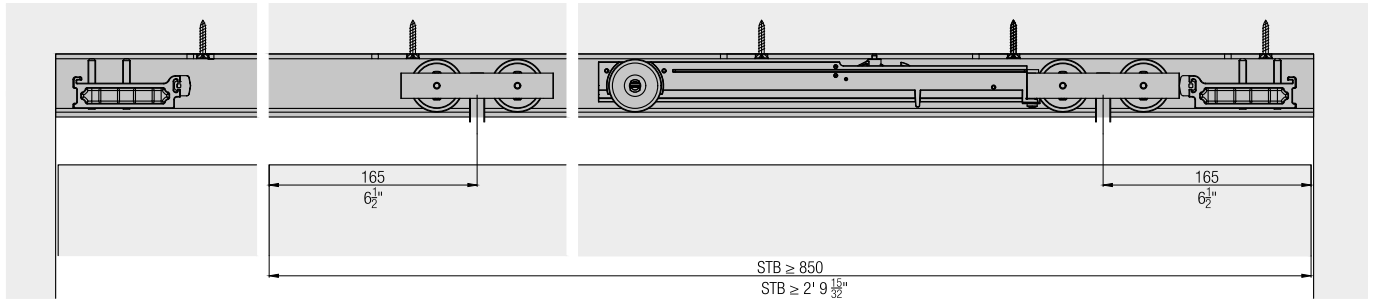
The following factors affect the calculation of the width of the sliding door:

- Open or closed guide groove
- Construction with or without spring stop (27202)



SoftMove 120 soft closing mechanism

Completely integrated into the running track, the SoftMove decelerates sliding doors and draws them into their final position.



Accessories

- Hawa Junior bottom guides for wall mounting from page 508
- Lock solutions from page 511
- General accessories from page 518

Planning/execution

Further information about the product can be found on www.hawa.com.