

EXIT Spot A2C

Ø60 mm Multifunctional socket with USB-charging and data



- ✔ One power socket (GE - FR type as standard UK on demand)
- ✔ One USB A and one USB C for charging
- ✔ One USB C data extension, usable to connect to PCs or as additional charging unit, if connected to a separate transformer



Details

Output power:

USB A: 5V 3A, 9V 2.77A, 12V 2.08A

USB C: 5V 3A, 9V 2.77A, 12V 2.08A

USB A+C: 5V 3A

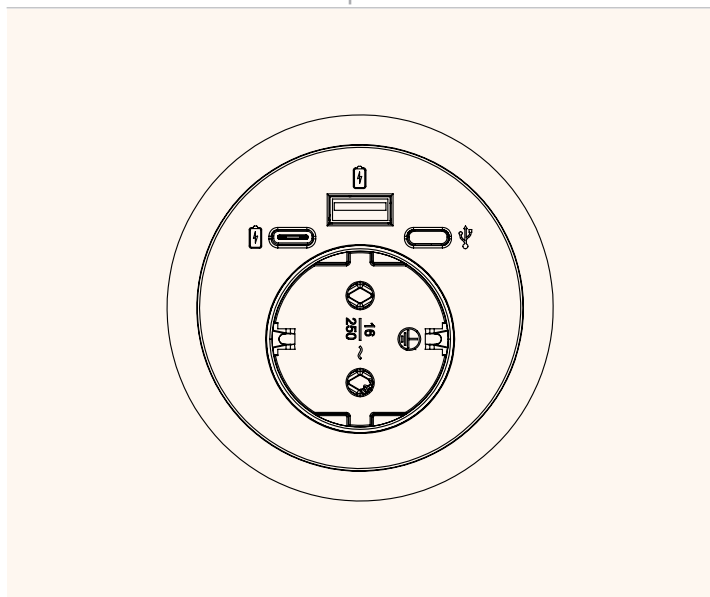
Cable length:

1,5 m + GE / FR plug

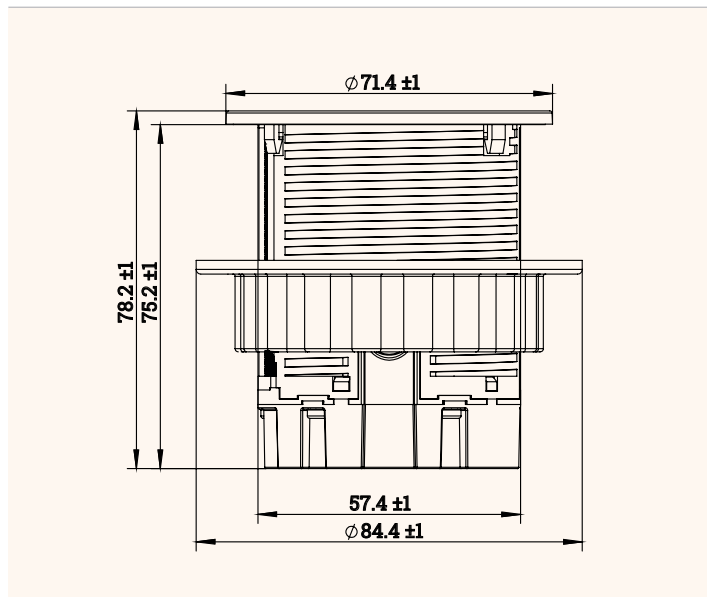
Diameter: 60 mm

Technical Drawings

Top GE



Side



Article	Description	Version	Colour	Item No.
EXIT Spot A2C	Multifunctional socket with power cable 1.5 m, 1 socket + 1 USB-A + 1 USB C (charging) + 1 USB C (data connection)	GE	Black	205 129869
		GE	White	205 129876
		FR	Black	205 129855
		FR	White	205 129862

