

## Fitting for 2 or 4 synchronously running L-shaped wooden doors up to 40 kg (88 lbs.) Design Forslide

### Product highlights



#### Comfort

High operating convenience thanks to proven running system and soft closing technology which is integrated in the system



#### Aesthetics

Synchronously running L-shaped doors for a unique cabinet design with access to the cabinet interior from two sides

### Technical specifications



Max. 40 kg (88 lbs.)



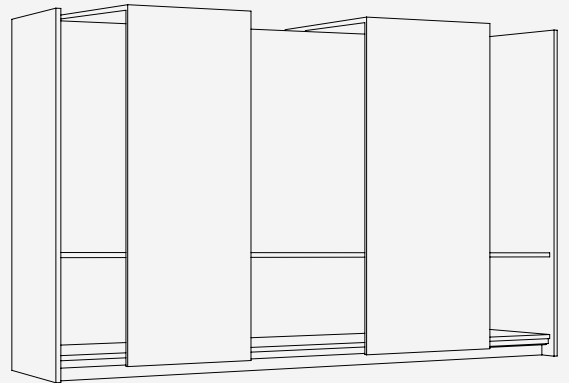
Max. 1500 mm (4'11 1/16")



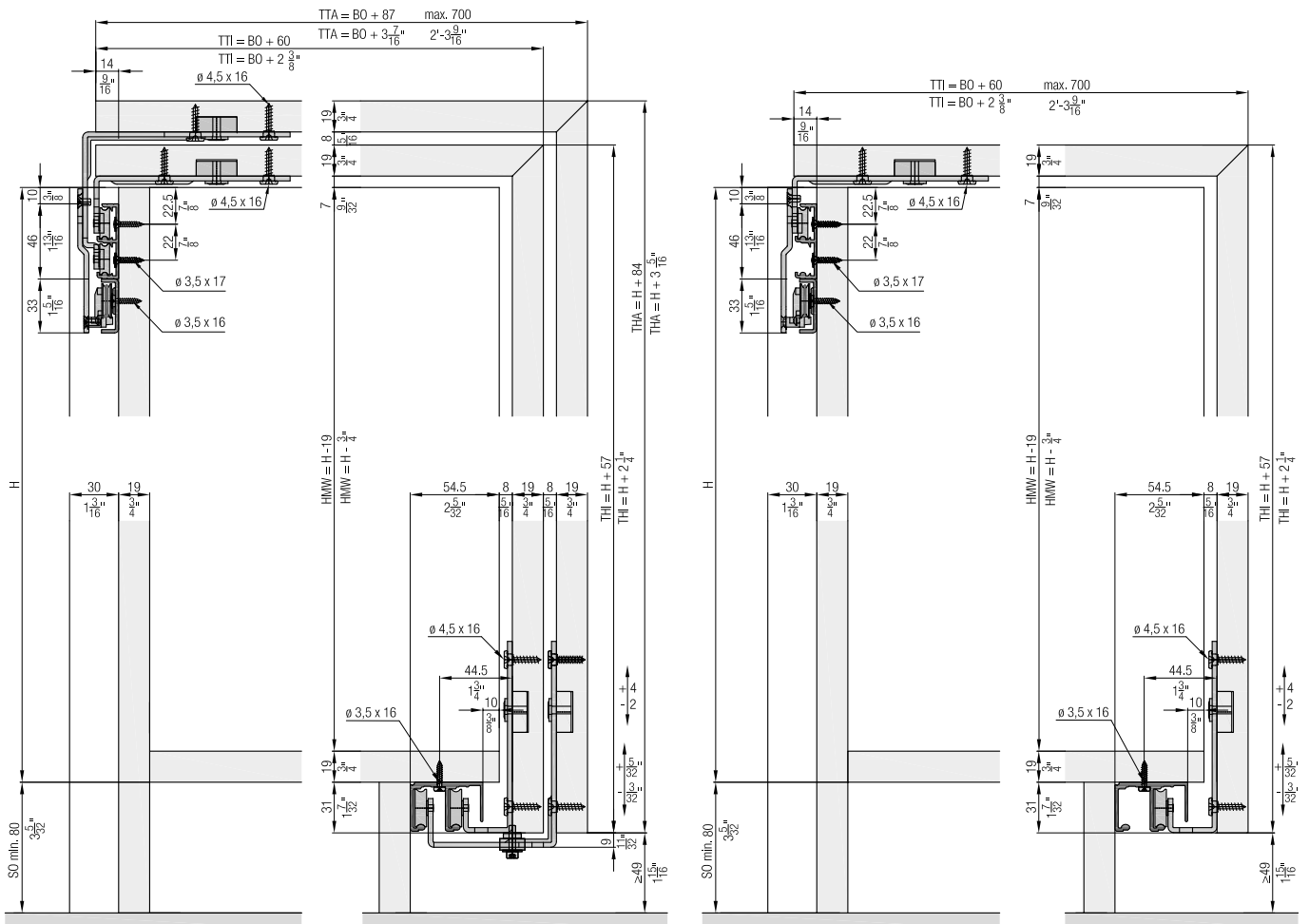
Max. 800 mm (2'7 15/32")



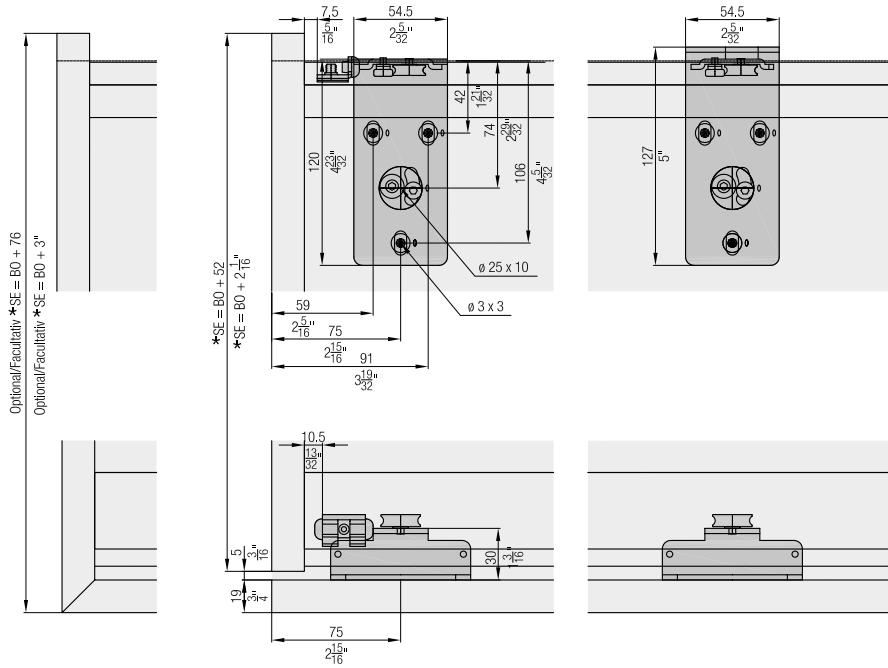
19 mm (3/4")



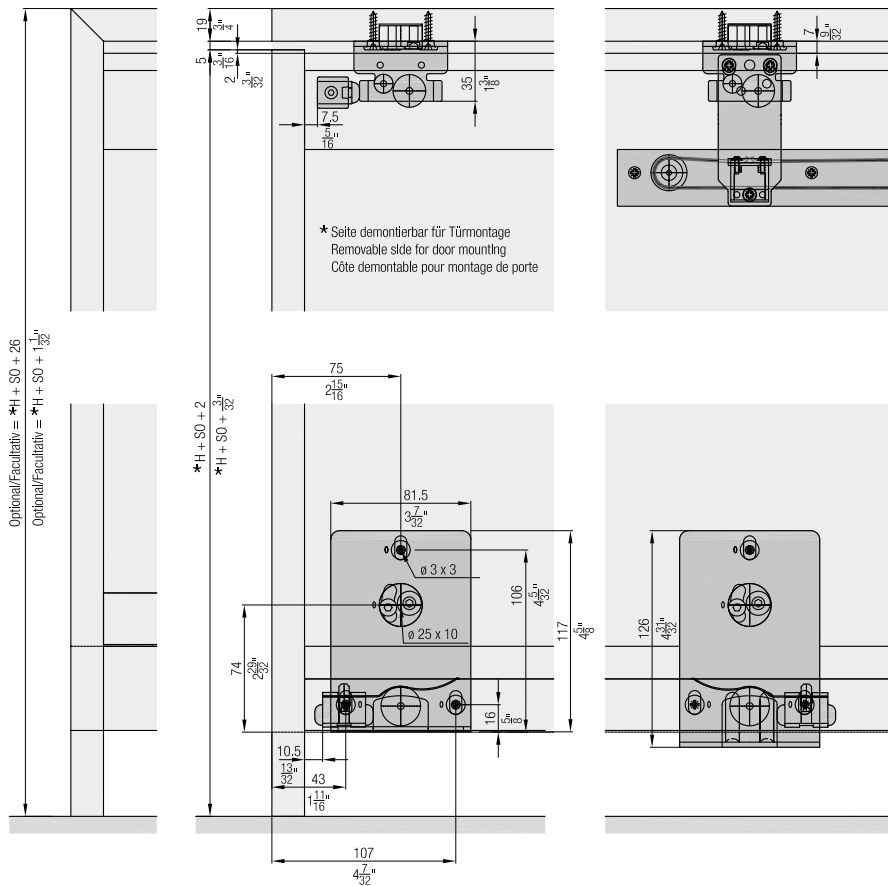
### Installation examples



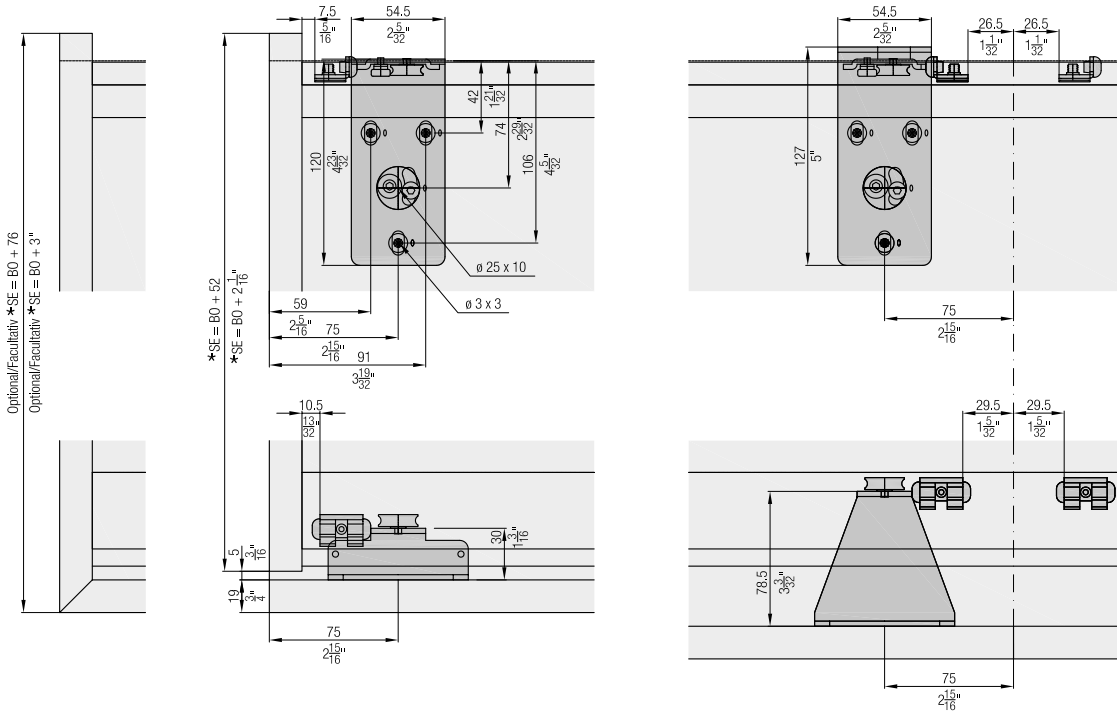
From above/2 wooden doors



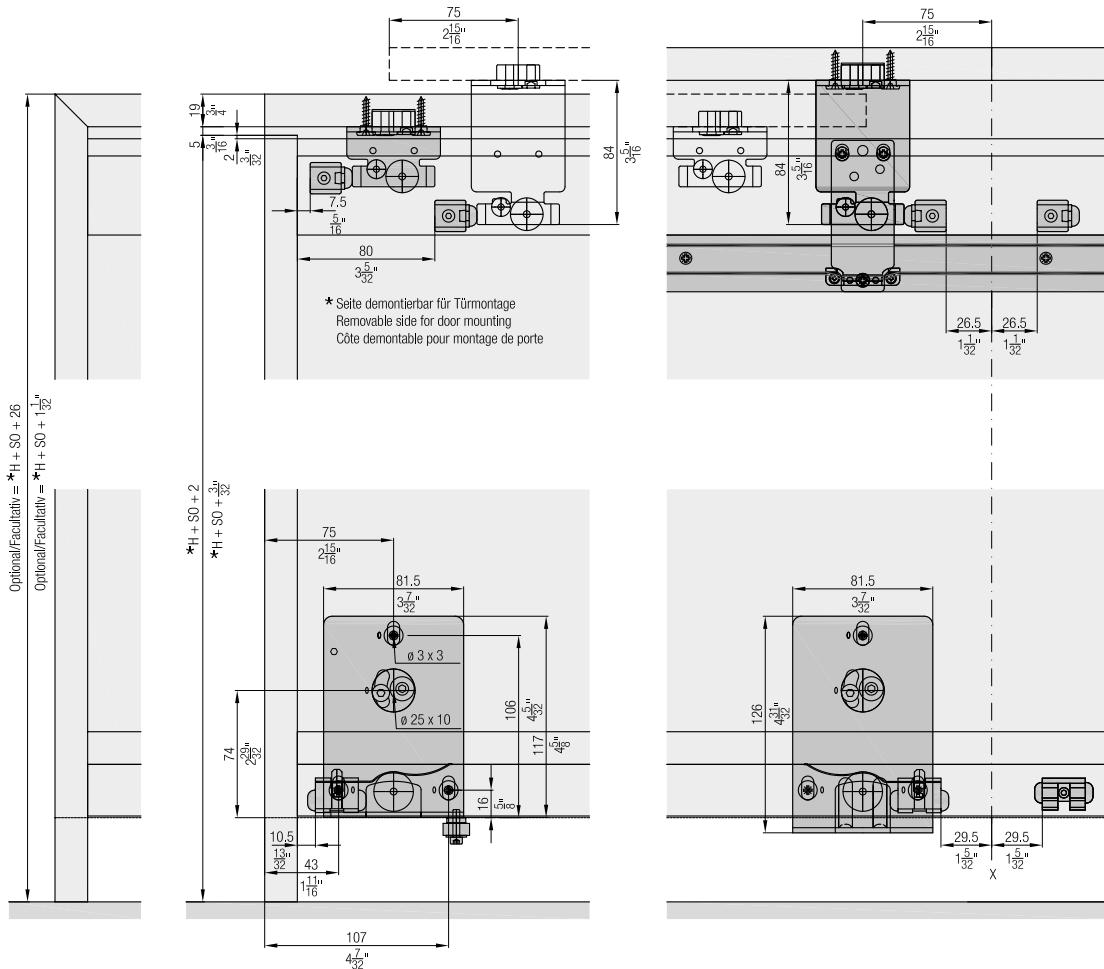
From front/2 wooden doors



From above/4 wooden doors



From front/4 wooden doors








**Set for 1 or 2 wooden doors**  
**Always order 2 sets.**

	No.
Hawa Combino L 40 H FS, for 1 wooden door	056.3160.071
Hawa Combino L 40 H FS, for 2 wooden doors	056.3160.072

Set consisting of:	056.3160.071		056.3160.072		No.
 Running gear, interior door, steel, zinc-plated	2	2			056.3155.171
 Guide bracket, interior door, steel, zinc-plated	2	2			056.3157.171
 Stopper, plastic, gray	2	4			056.3151.071
 Catch spring, steel	2	2			056.0174.001
 Stopper, steel, zinc-plated	2	4			056.3150.171
 Washer-and-screw assembly, 4.5x17 mm, steel, zinc-plated	12	24			055.0100.101
 Wood screw, 3.5x17 mm, steel, zinc-plated	16	16			766.6052.100
 Running gear, exterior door, steel, zinc-plated			2		056.3154.171
 Guide bracket, exterior door, steel, zinc-plated			2		056.3156.171
 Door follower, with 2-3 doors			1		056.3162.171

**Synchro set**

	No.
Hawa Combino L 40 H FS Synchrono	056.3173.071

Set consisting of:	056.3173.071		No.
 Symmetric track, aluminum	1		040.5044.171
 Adapter, for Symmetric track, steel, zinc-plated	2		056.0189.101
 Fillister head chipboard screw, 3.5x16 mm, steel, zinc-plated	8		766.6035.116
 Thread-cutting screw, M4x8, steel, zinc-plated	4		762.7007.108
 Countersunk screw, M4x10 mm, steel, zinc-plated	2		762.5003.100

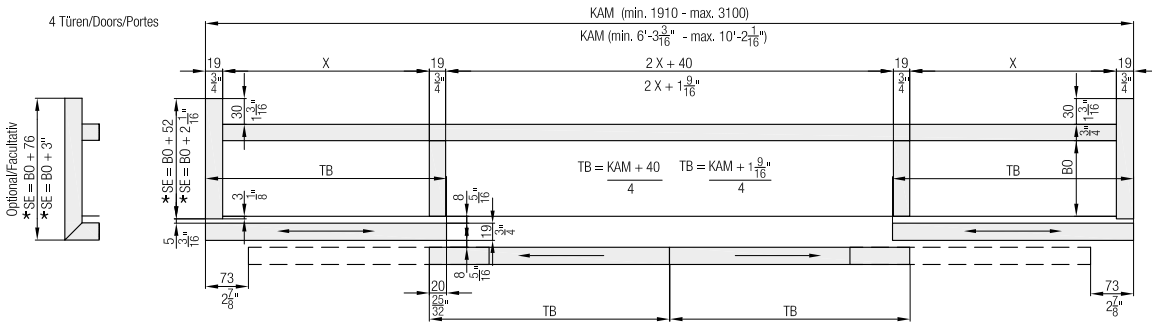
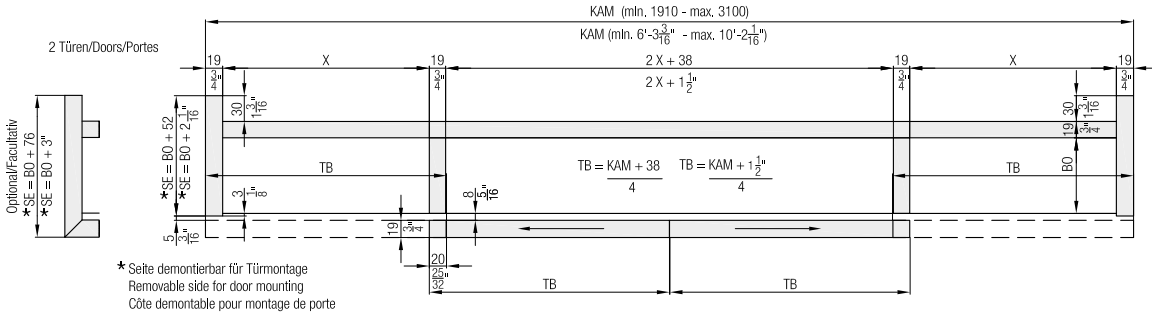
**Running tracks**

	mm (inch)	No.
	3500 (11'5 25/32")	056.3149.350
	6000 (19'8 7/32")	056.3149.600

**Guide tracks**

	mm (inch)	No.
	3500 (11'5 25/32")	056.3148.350
	6000 (19'8 7/32")	056.3148.600

**Calculations**



**Accessories**

– Straightening fitting from page 266

**Planning/execution**

Further information about the product can be found on [www.hawa.com](http://www.hawa.com).