



DECEUNINCK-DEFORCE

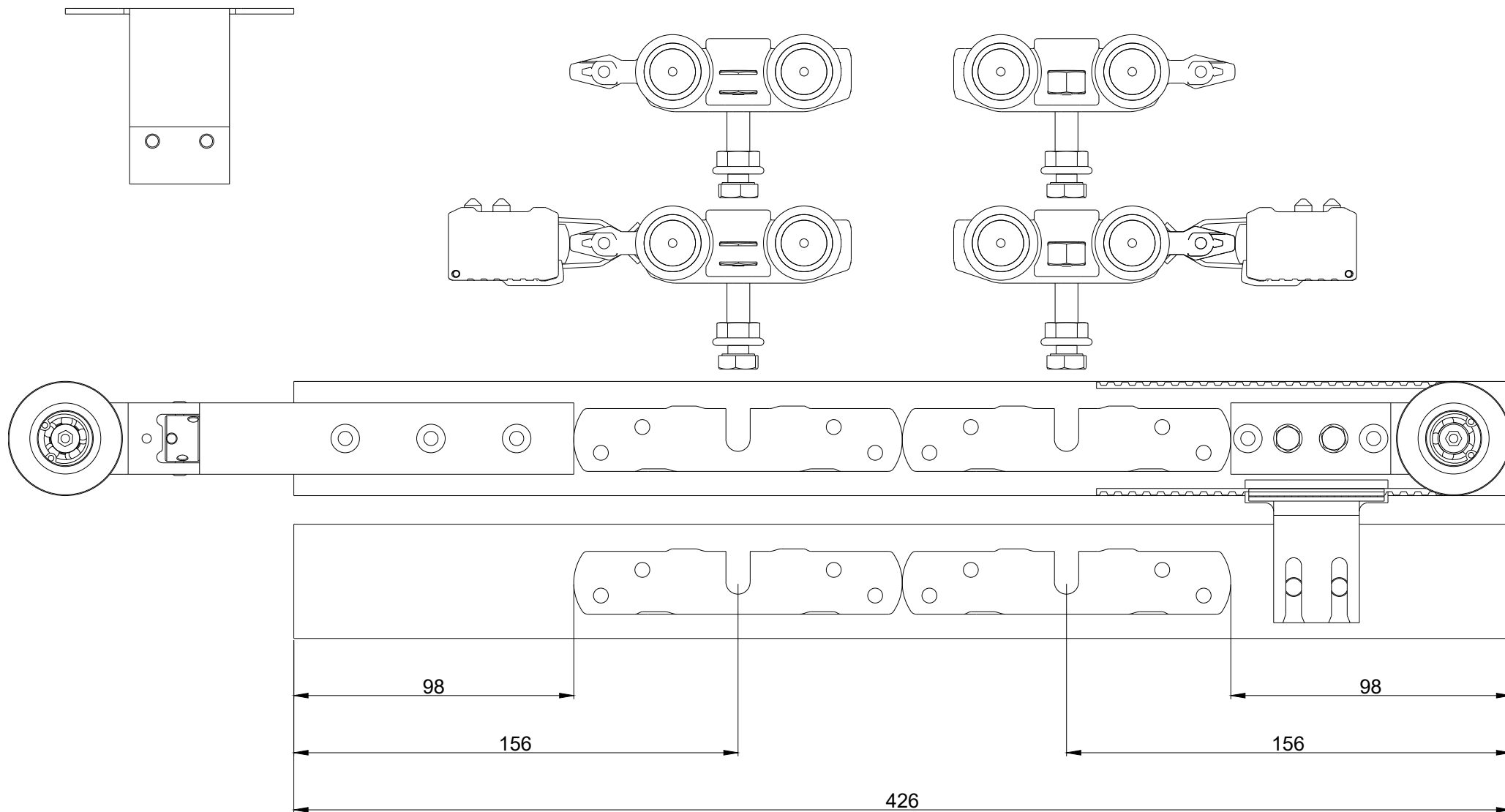
XPERTA

TELESCOPISCHE DEUR 2X

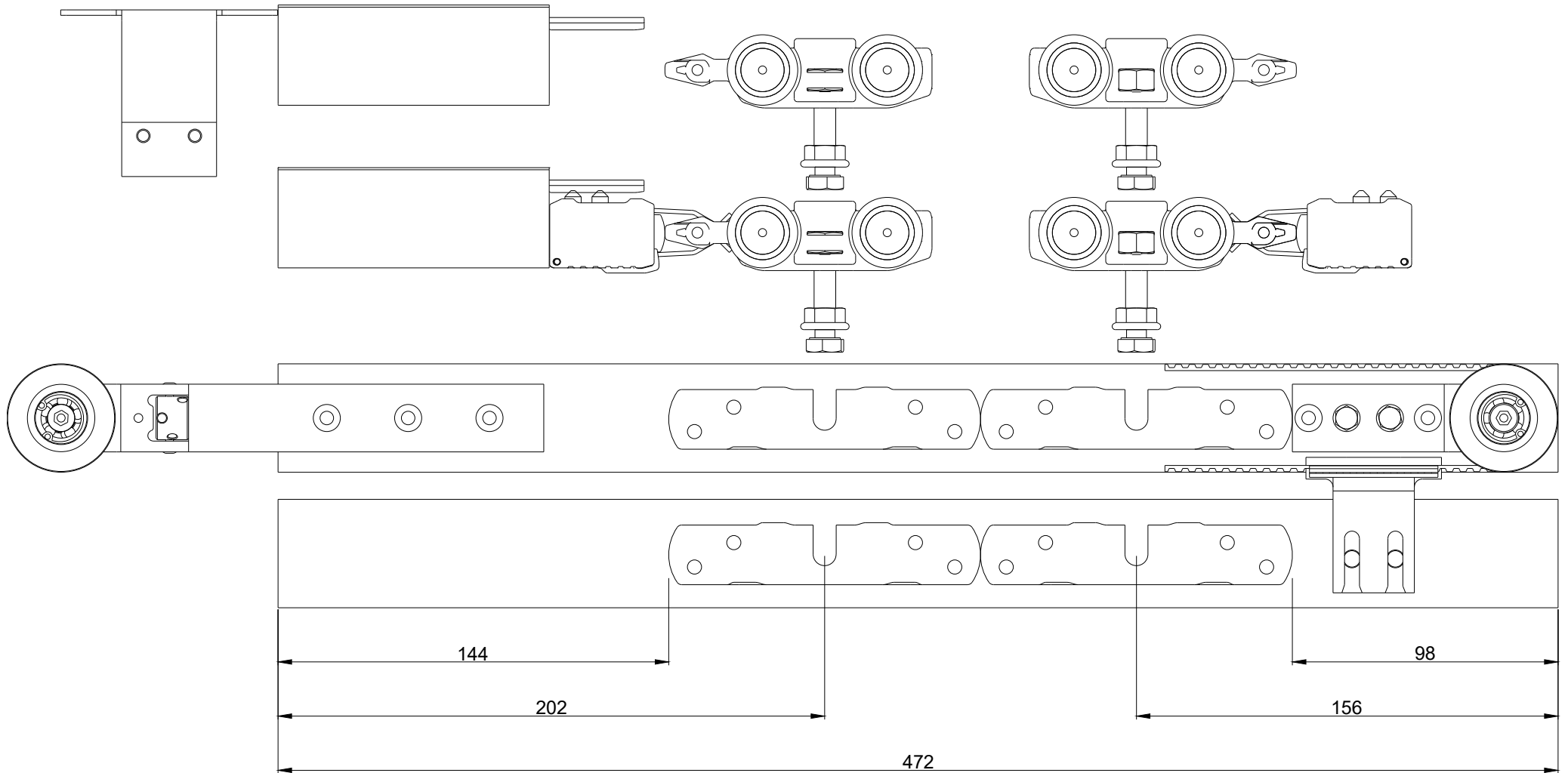
INHOUD

| | |
|-----------------------------|---|
| 1. Stopper | 2 |
| 2. Stopper + ESSI | 3 |
| 3. Softclose | 4 |
| 4. Softclose + ESSI | 5 |
| 5. A-Slide motorisch | 6 |
| 6. A-Slide motorisch + ESSI | 7 |

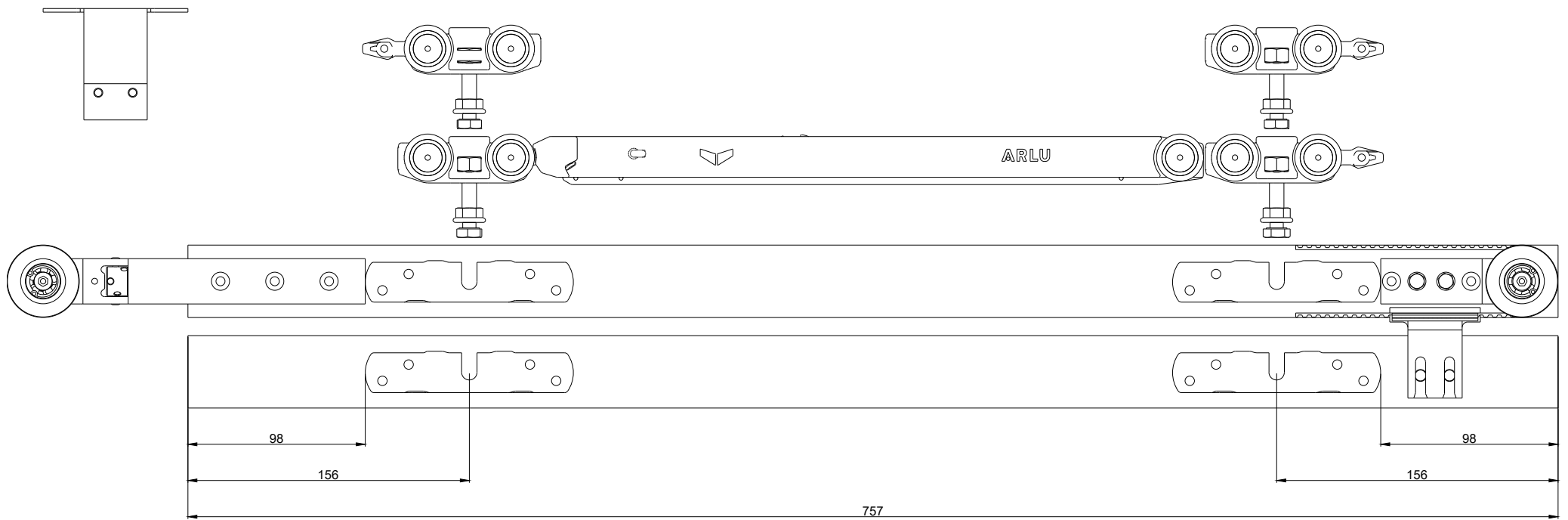
1. STOPPER



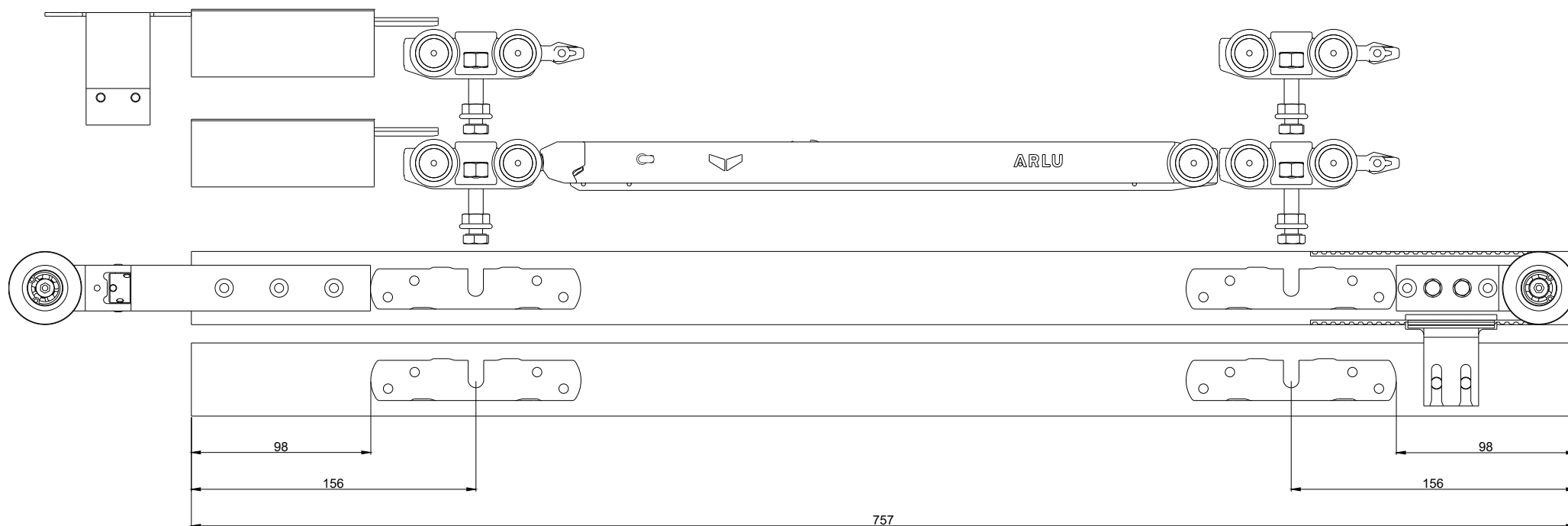
2. STOPPER + ESSI



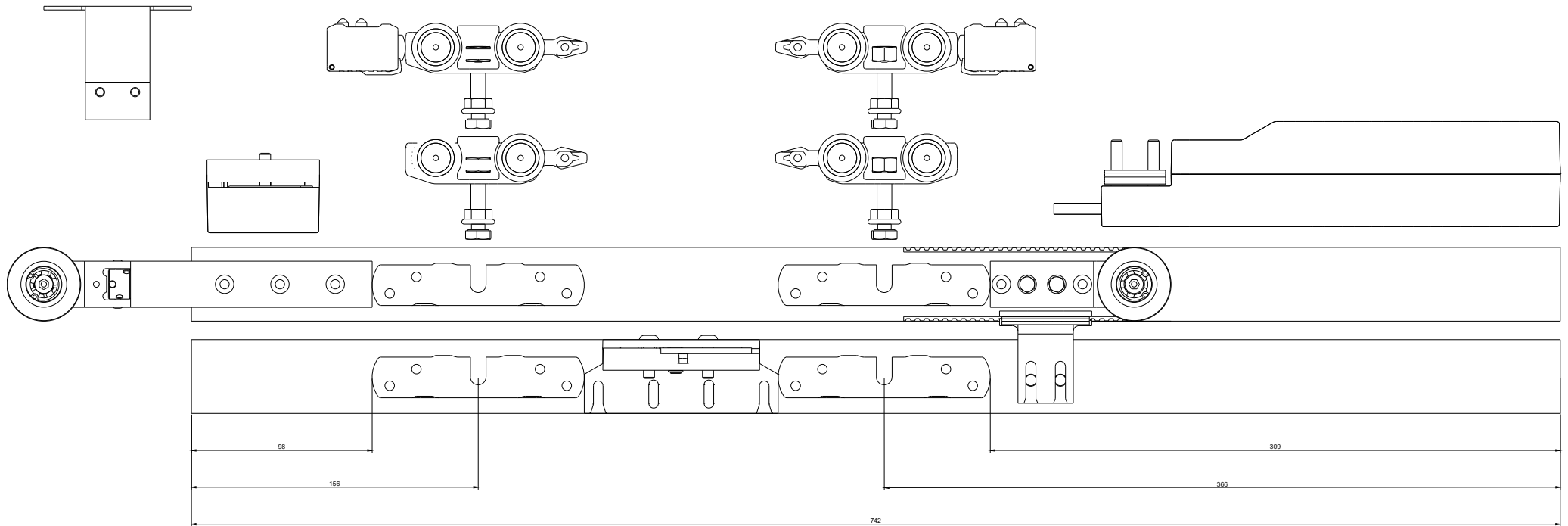
3. SOFTCLOSE



4. SOFTCLOSE + ESSI



5. A-SLIDE GEMOTORISEERD



6. A- SLIDE GEMOTORISEERD + ESSI

