



DECEUNINCK-DEFORCE

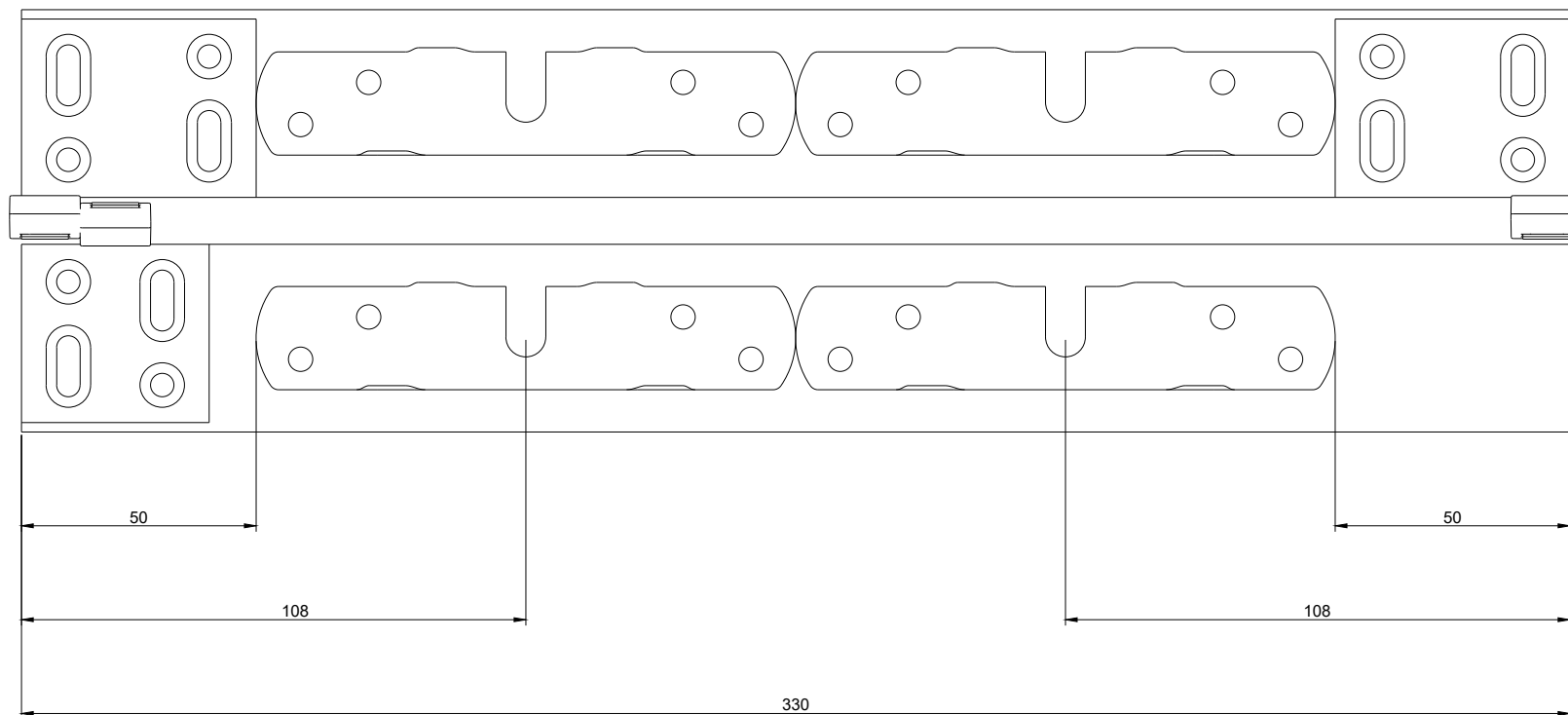
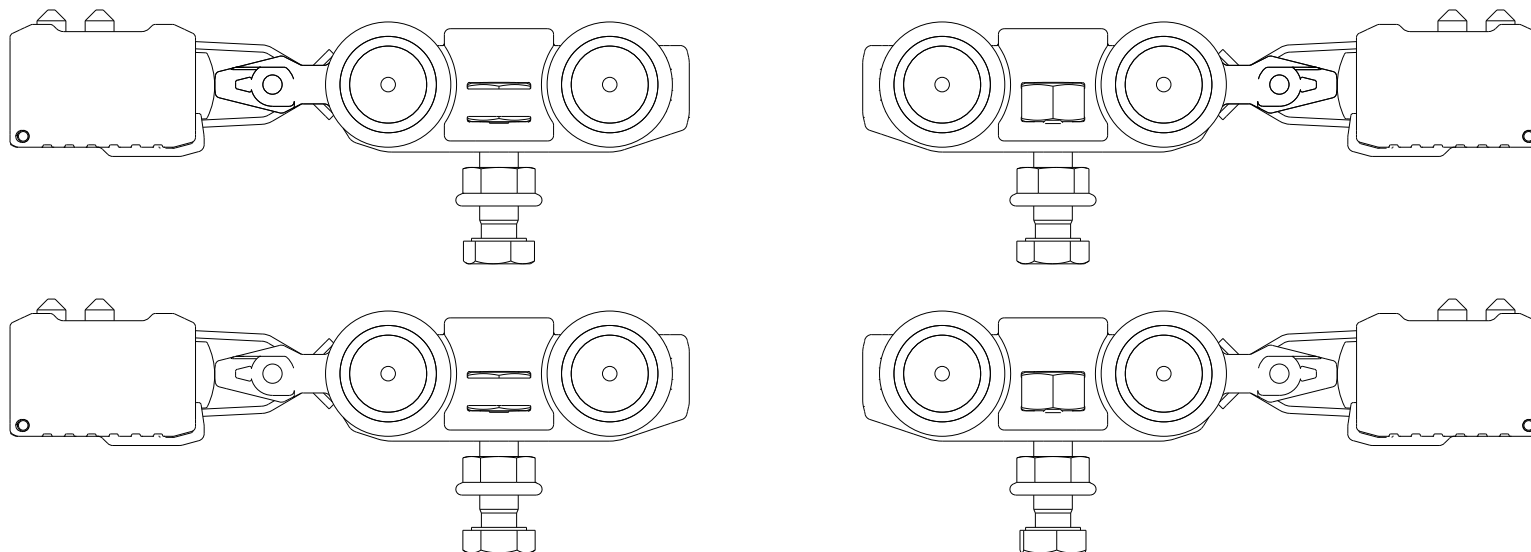
XPERTA

PARALLELE DEUR 2X

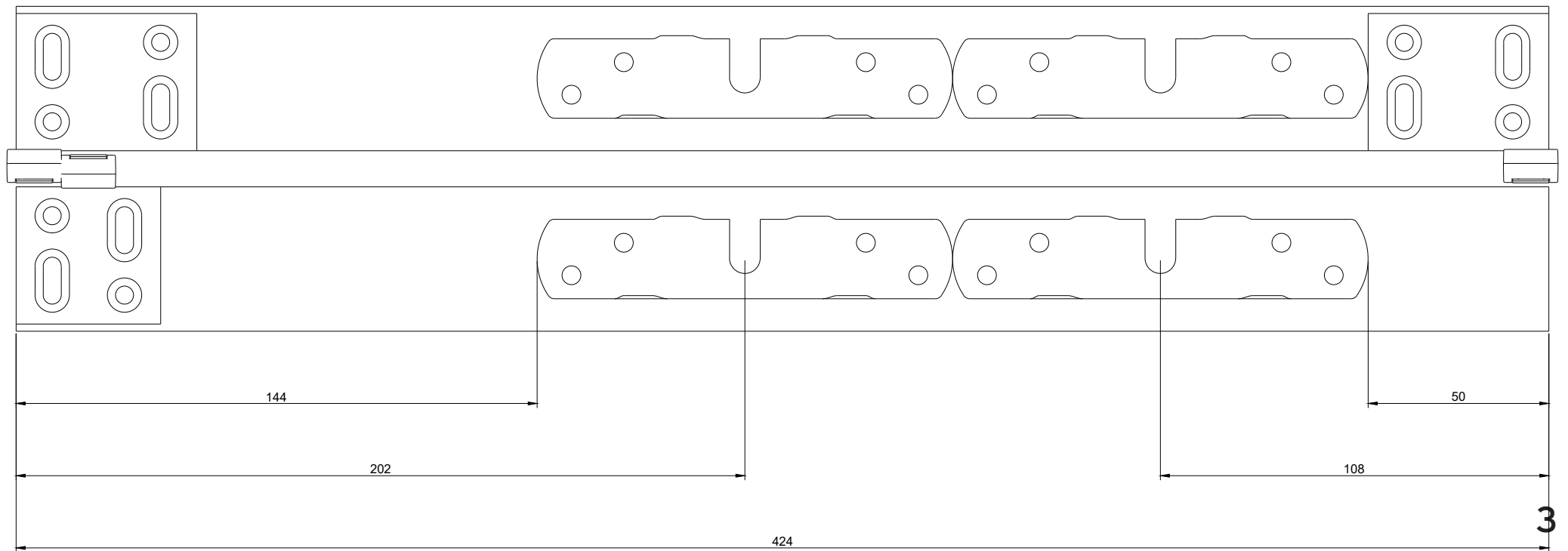
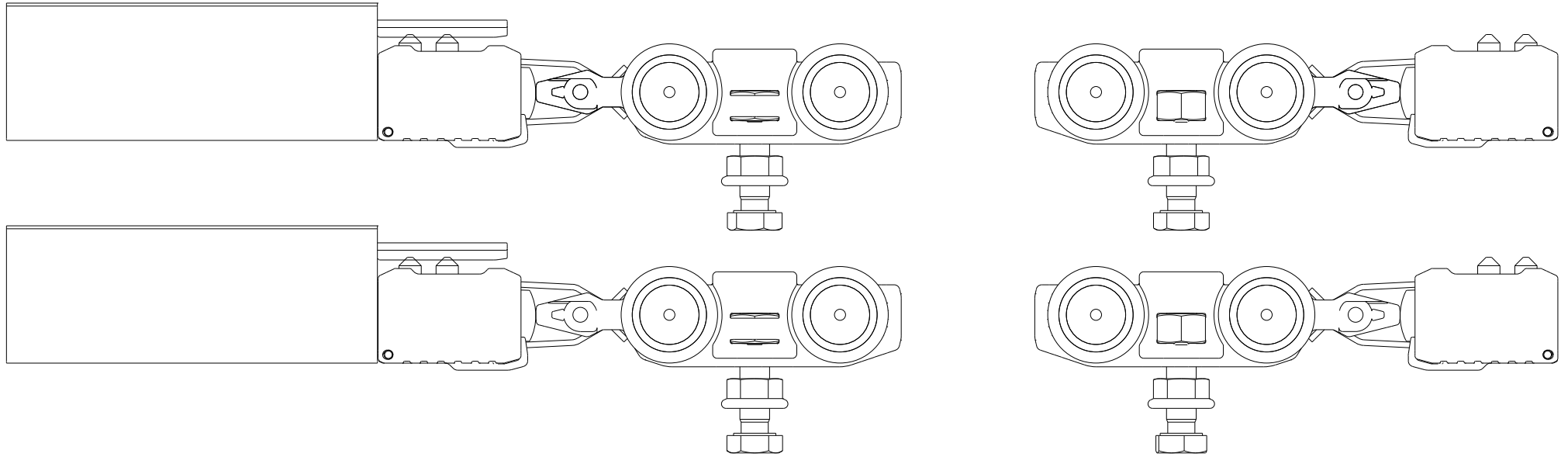
INHOUD

1. Standaard fix - stopper	2
2. Standaard fix - stopper + ESSI	3
3. Standaard fix - softclose	4
4. Standaard fix - softclose + ESSI	5
5. Manuele fix - stopper	6
6. Manuele fix - stopper + ESSI	7
7. Manuele fix - softclose	8
8. Manuele fix - softclose + ESSI	9
9. Automatische fix - stopper	10
10. Automatische fix - stopper + ESSI	11
11. Automatische fix - softclose	12
12. Automatische fix - softclose + ESSI	13

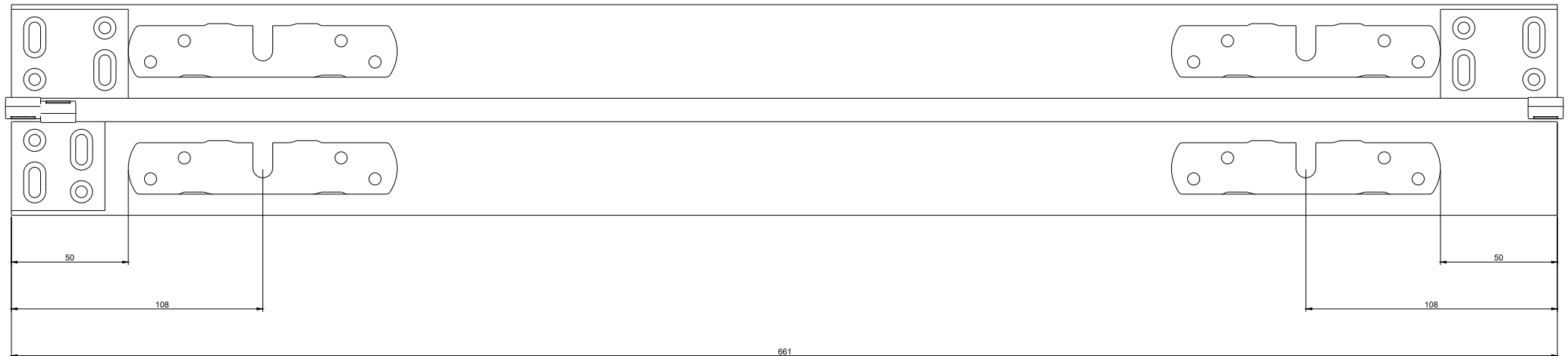
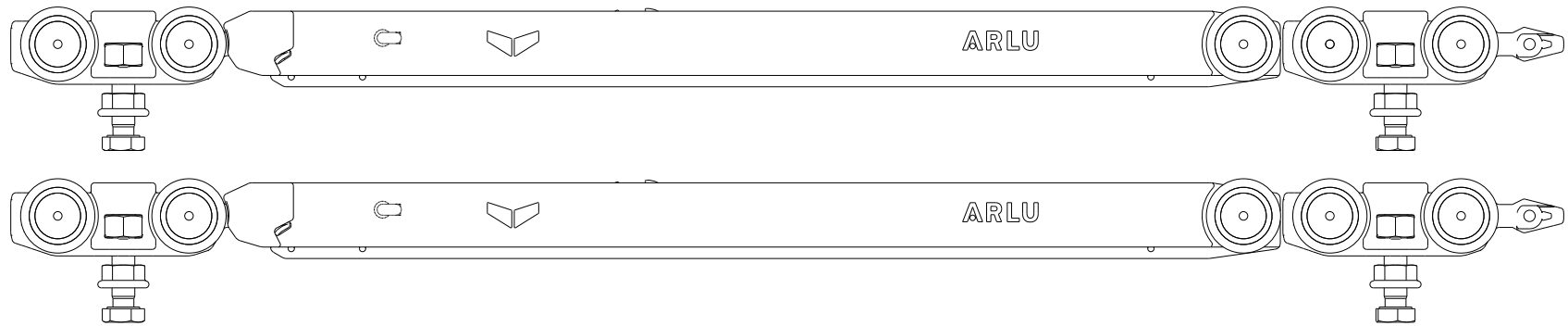
1. STANDAARD FIX - STOPPER



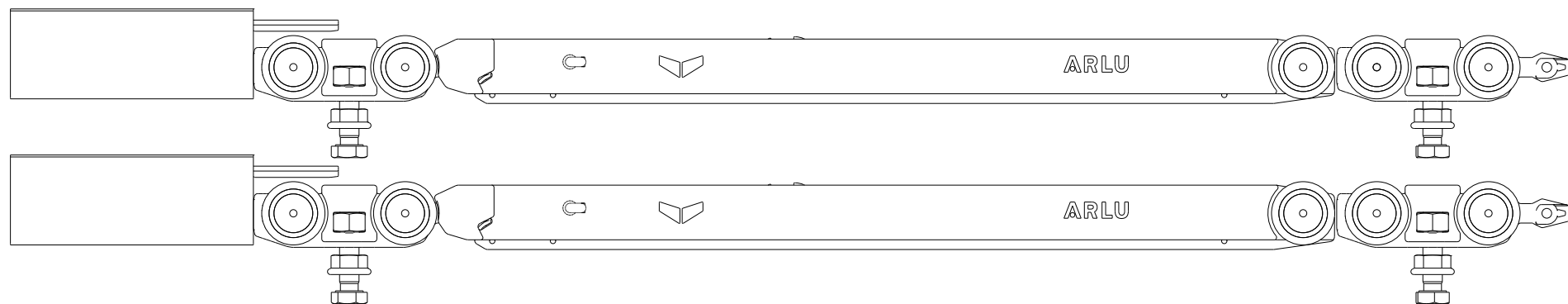
2. STANDAARD FIX - STOPPER + ESSI



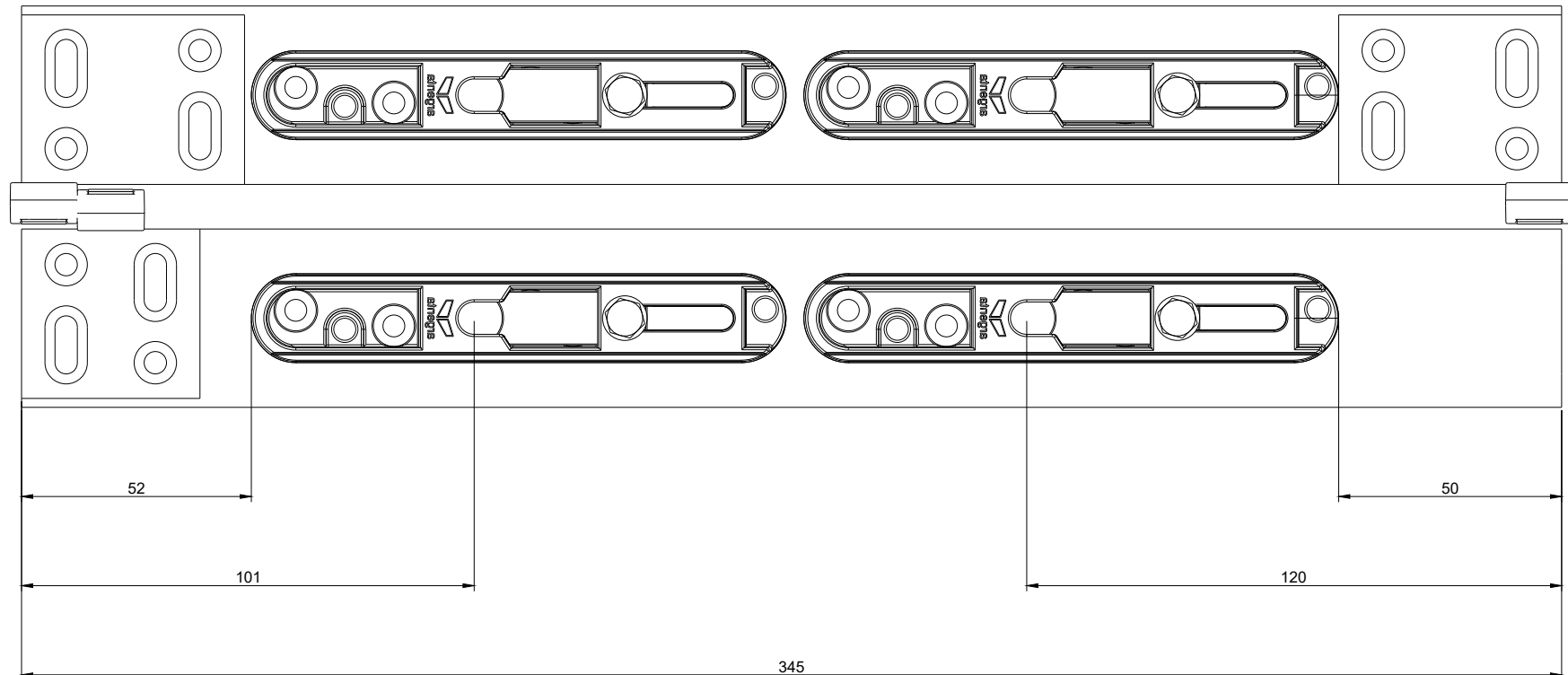
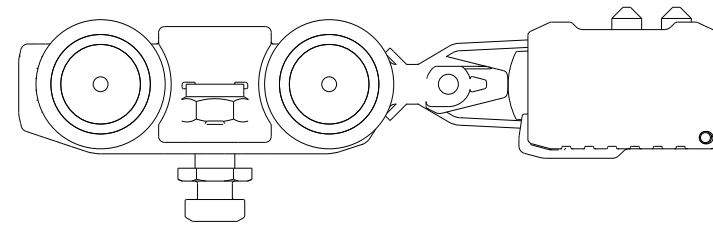
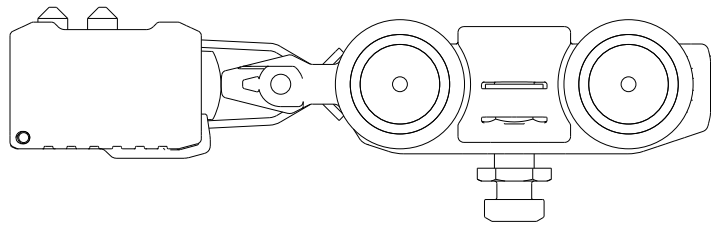
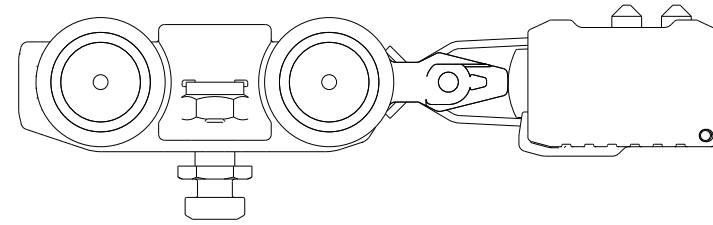
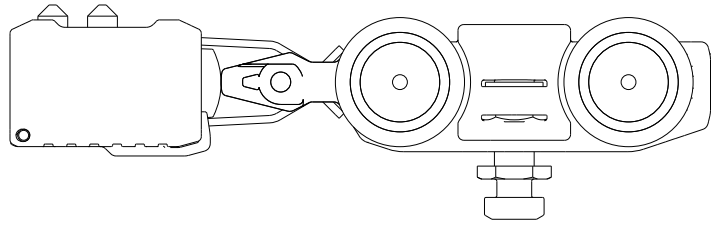
3. STANDAARD FIX - SOFTCLOSE



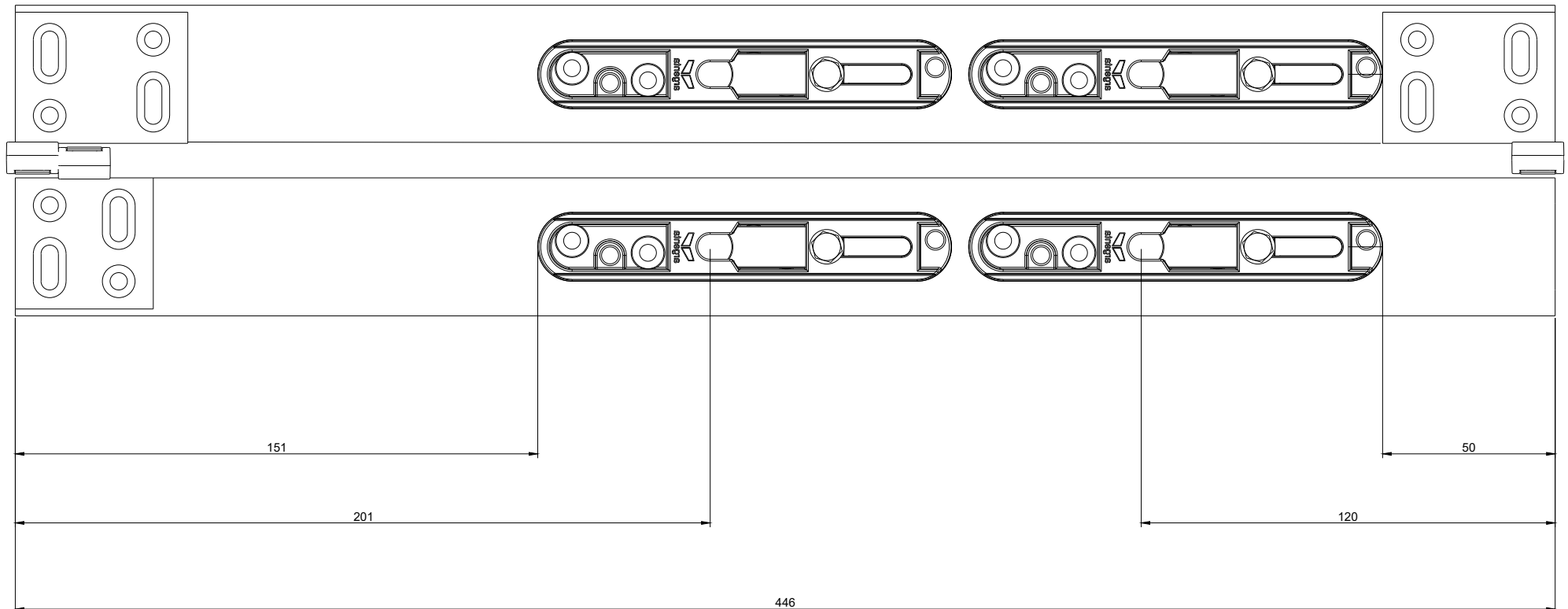
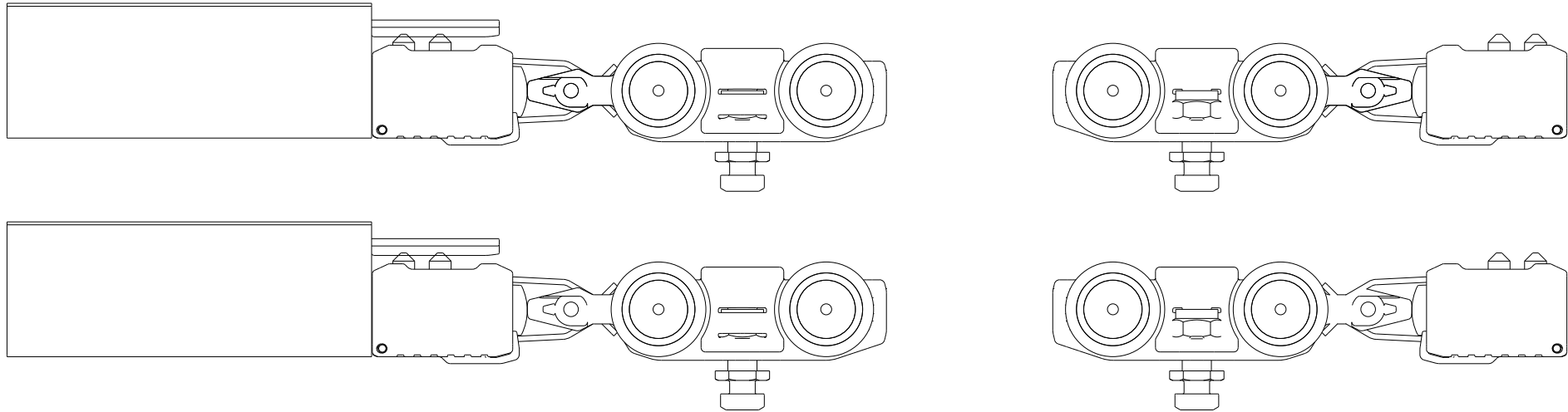
4. STANDAARD FIX - SOFTCLOSE + ESSI



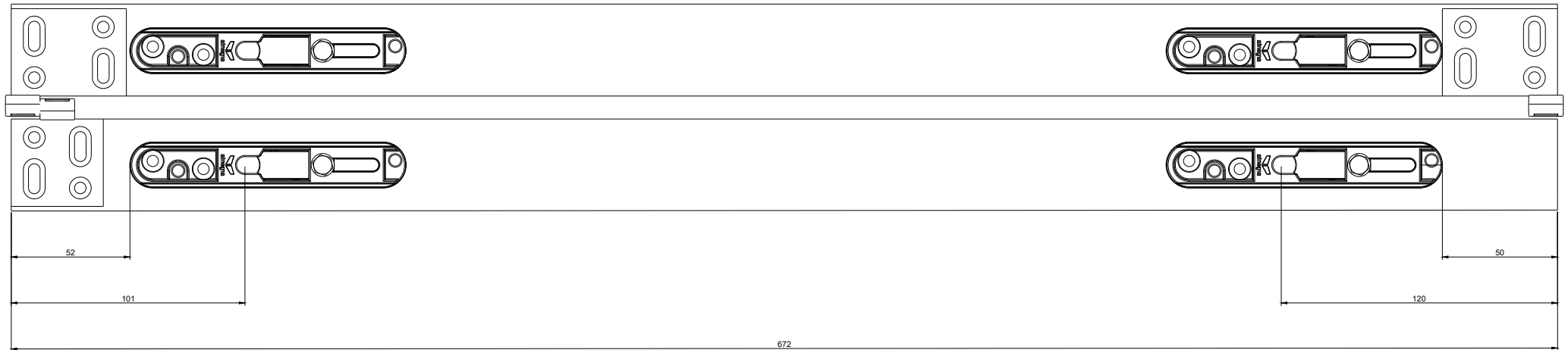
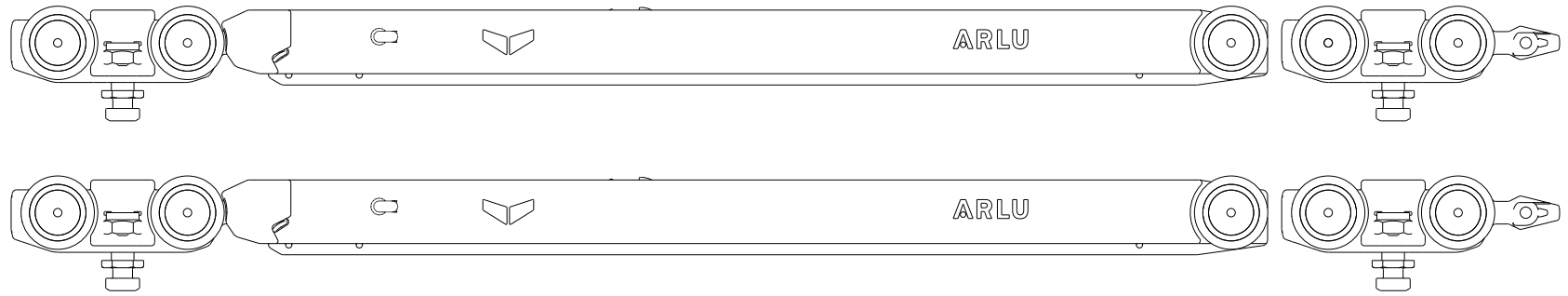
5. MANUELE FIX - STOPPER



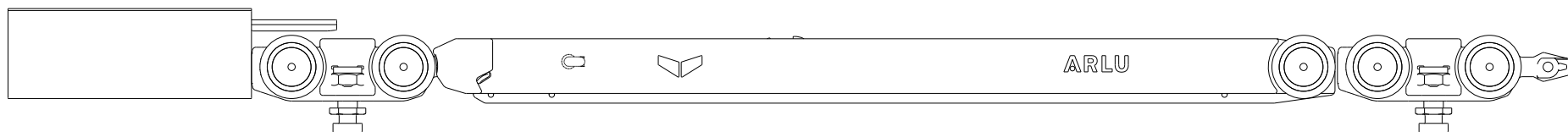
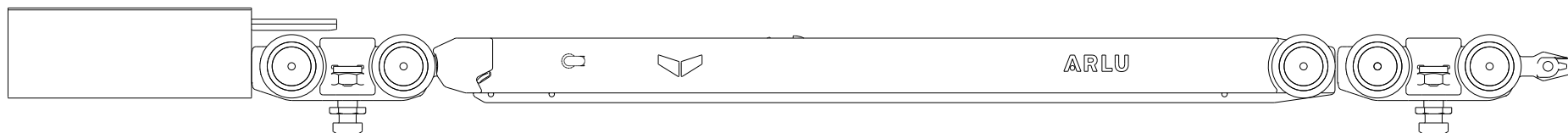
6. MANUELE FIX - STOPPER + ESSI



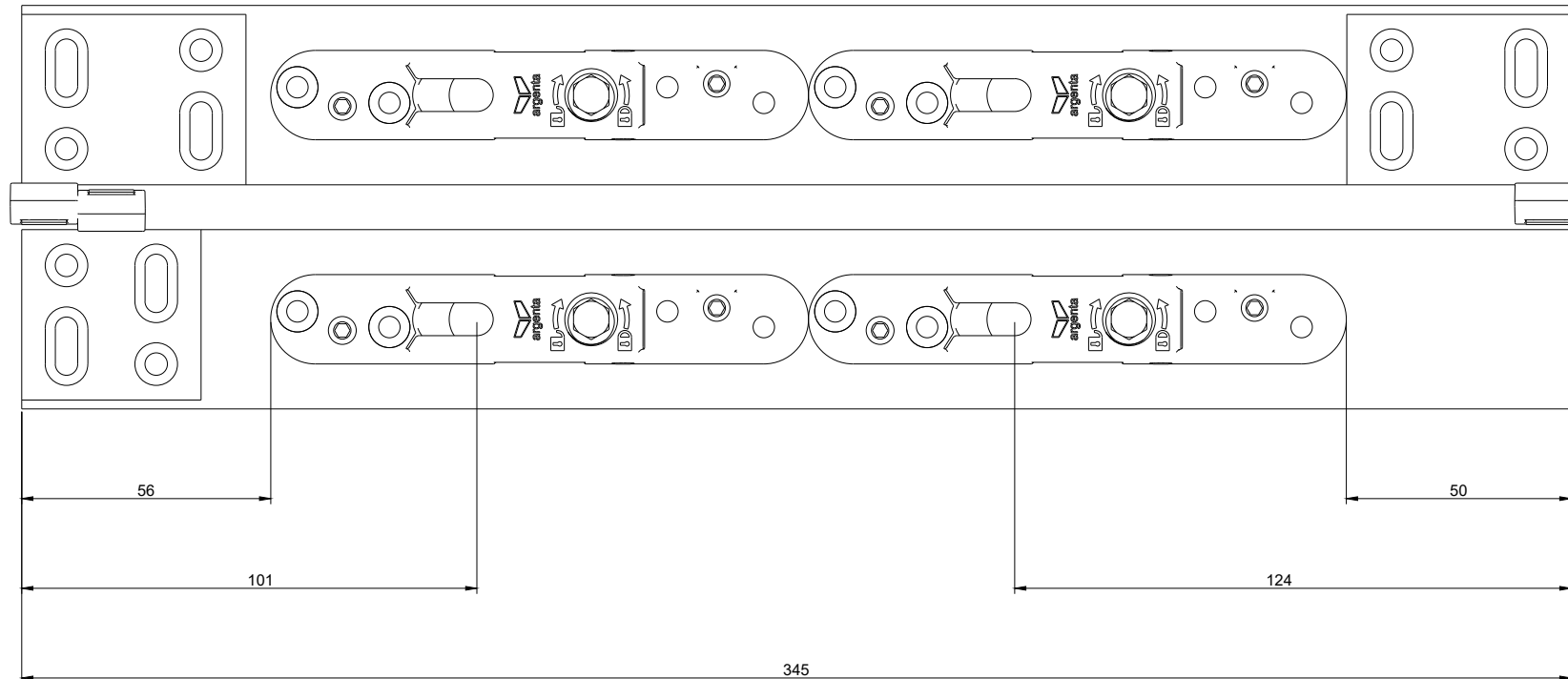
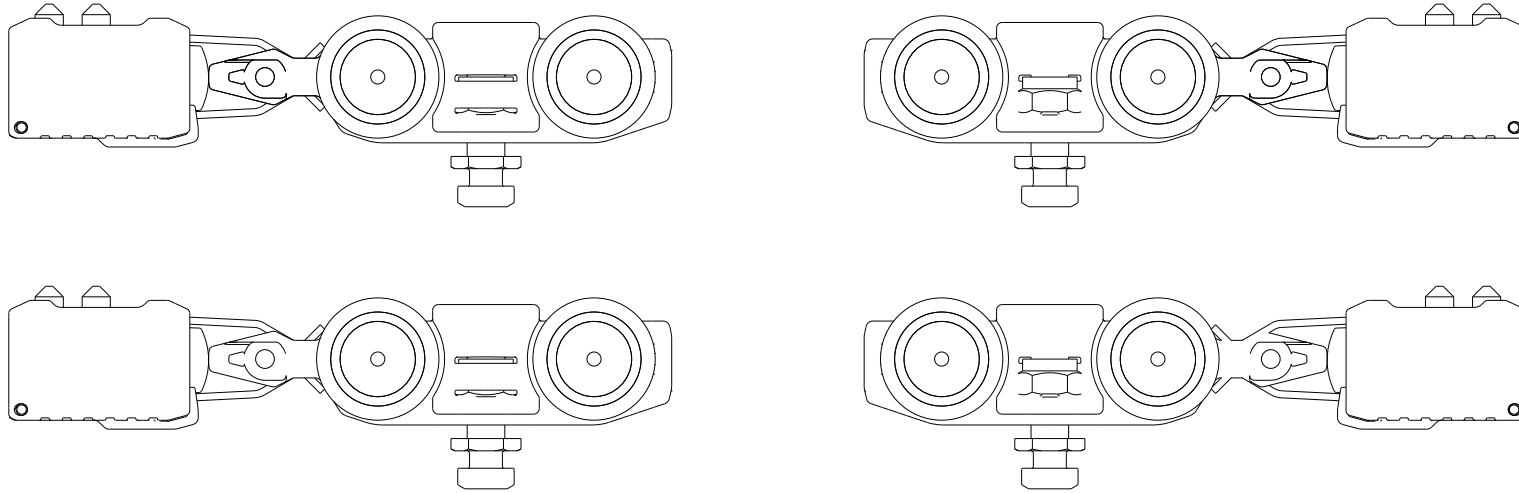
7. MANUELE FIX - SOFTCLOSE



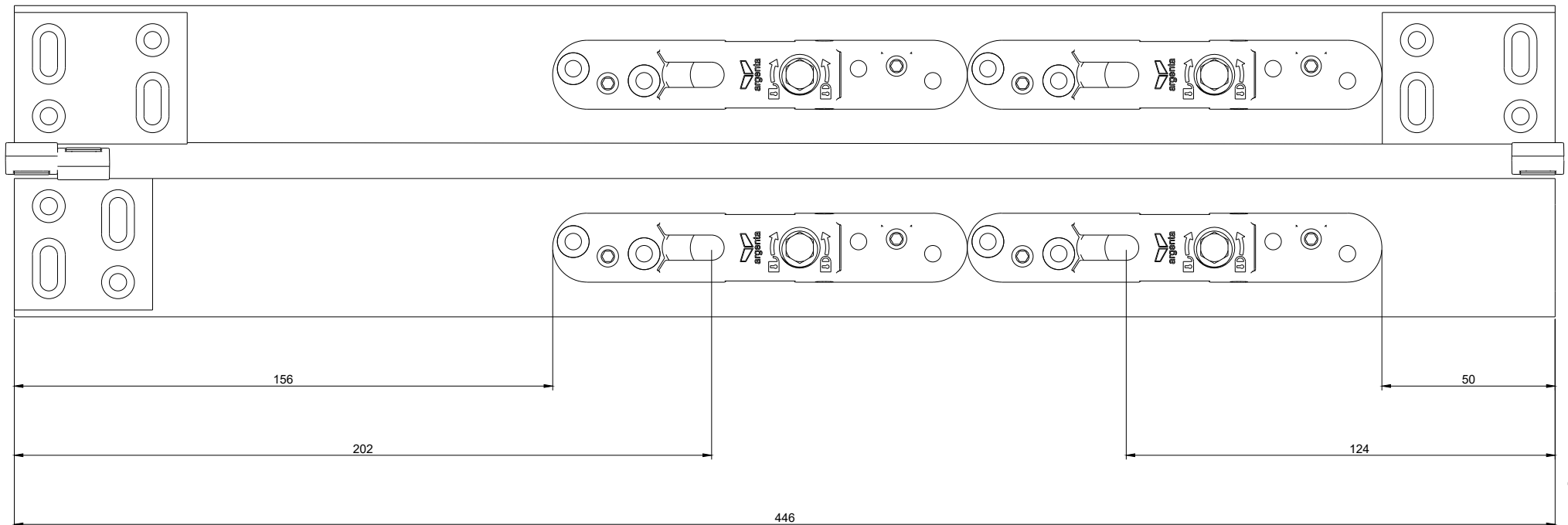
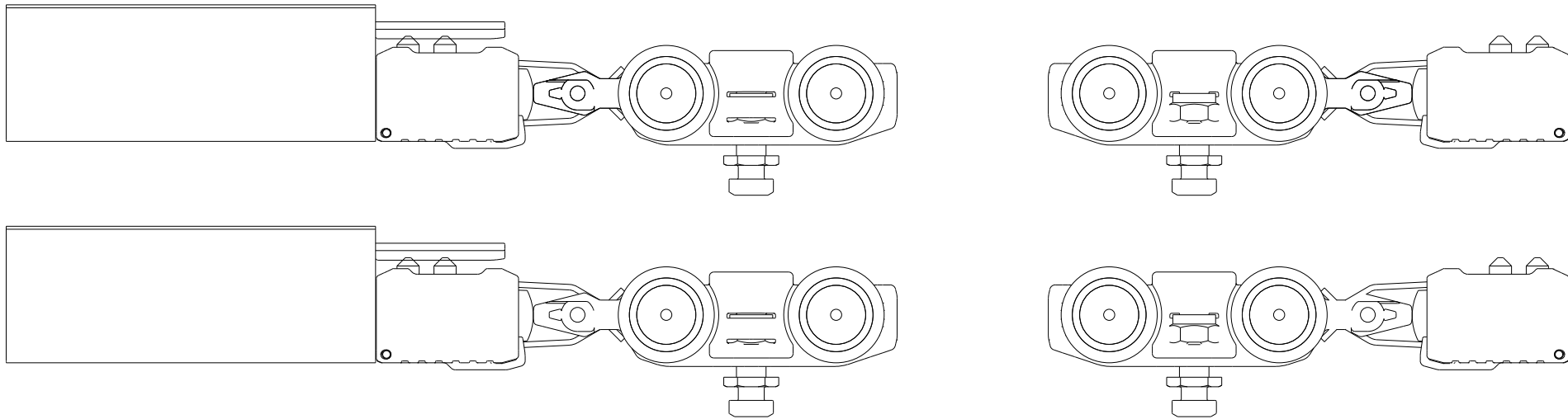
8. MANUELE FIX - SOFTCLOSE + ESSI



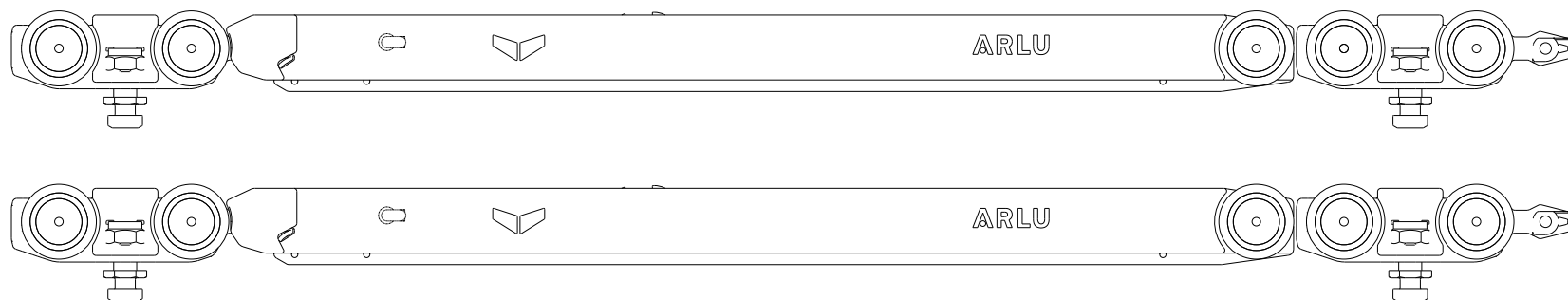
9. AUTOMATISCHE FIX - STOPPER



10. AUTOMATISCHE FIX - STOPPER + ESSI



11. AUTOMATISCHE FIX - SOFTCLOSE



12. AUTOMATISCHE FIX - SOFTCLOSE + ESSI

