



LIN-X450, LIN-X600

MONOFLAT LIN-X HINGE

MonoFlat LIN-X hinge®



	LIN-X450	LIN-X600
Door Width	400 - 500 mm	550 - 650 mm
Door Height	600 - 2400 mm	
Door Thickness	15 - 24 mm	
Door Weight	Max. 17 kg/Door	Max. 24 kg/Door
Overlay	19 mm	

Features

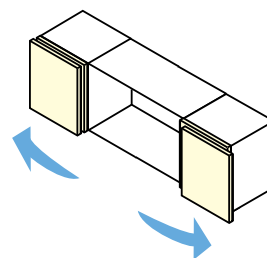
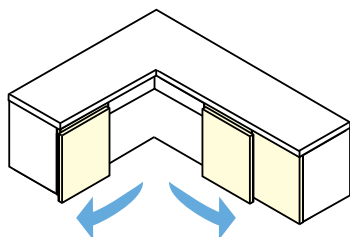
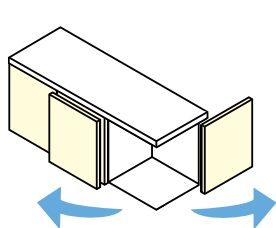
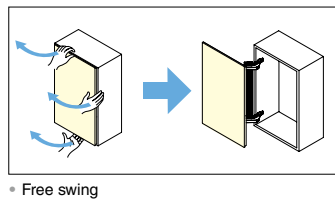
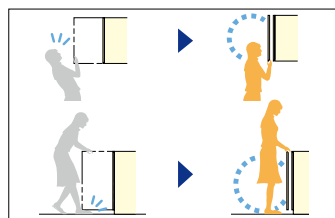
When opening or opened, cabinet doors will not get in the way. Unique and innovative design.

- Overlay installation that is flush with wall on both sides.
- Full access to cabinet interior: door will not get in the way when fully opened.
- Smooth operation: door is easy to move with little resistance no matter the position.
- Soft-closing: built-in damper makes door close gently, preventing slamming.
- Easy installation: Snap-in type installation. Same type of surface installation as concealed hinge mounting plate.
- Various applications including corner doors, double doors, overlapping doors.

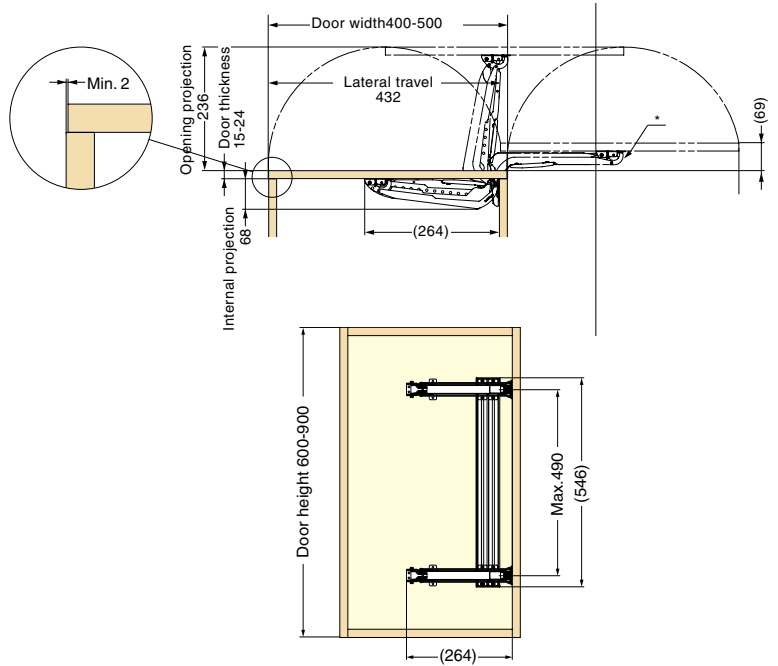
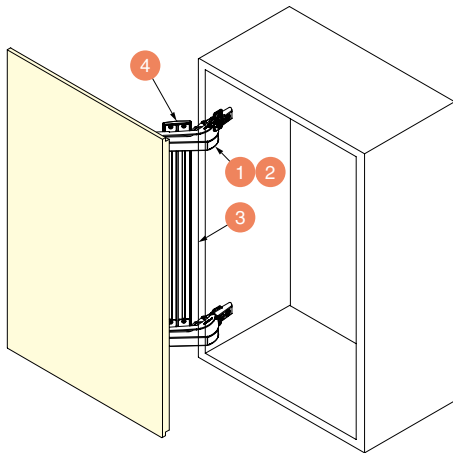
WARDROBE & CABINET DOOR HARDWARE



MONOFLAT LIN-X HINGE



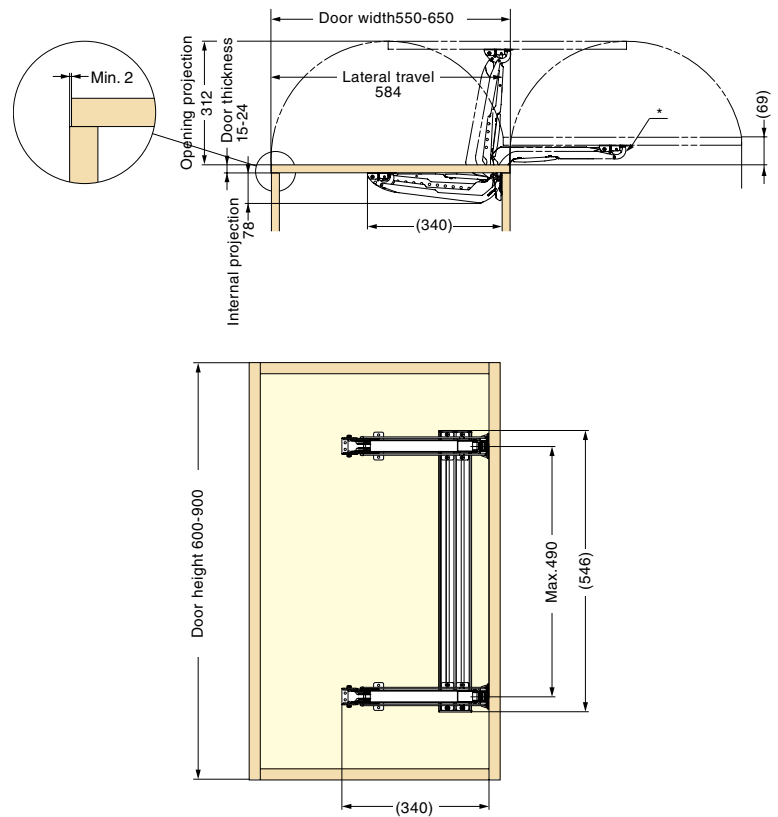
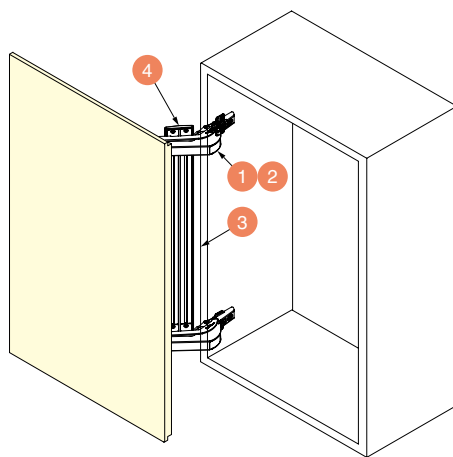
LIN-X450 Standard Kit



Door Width	400-500 mm
Door Height	600-900 mm
Door Thickness	15-24 mm
Door Weight	Max. 7 kg / Door

Item Code	Item Name	Overlay	Mounting Plate	Material	Finish	Weight	Box	Carton
250-014-240	LIN-X450	19 mm	230-P4W-32T	Steel/Aluminium	Nickel/Anodized	2.2 kg	1 set	6 sets
250-014-553	LIN-X450+5	14 mm	230-P4W-32T+5	Steel/Aluminium	Nickel/Anodized	2.2 kg	1 set	6 sets

LIN-X600 Standard Kit



Door Width	550-650 mm
Door Height	600-900 mm
Door Thickness	15-24 mm
Door Weight	Max. 9 kg / Door

Item Code	Item Name	Overlay	Mounting Plate	Material	Finish	Weight	Box	Carton
250-017-590	LIN-X600	19 mm	230-P4W-32T	Steel/Aluminium	Nickel/Anodized	3.2 kg	1 set	6 sets

WARDROBE & CABINET DOOR HARDWARE

MONOFLAT LIN-X HINGE