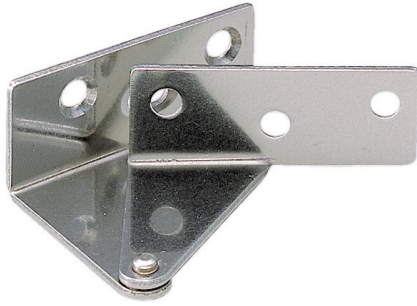


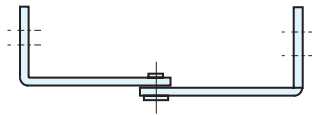
# OVERLAY DOOR PIVOT HINGE



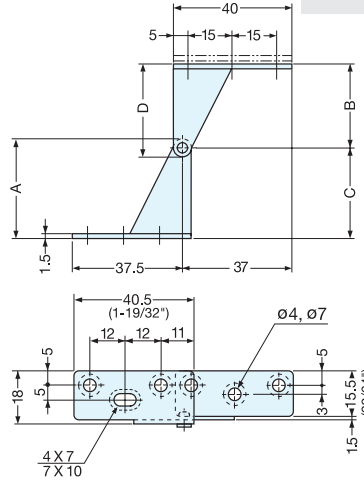
**WP**



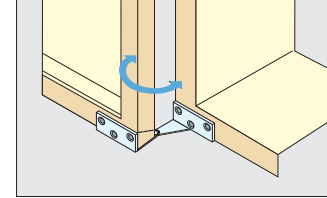
Left handed model shown.



Left-Hand Opening



- Door Size: Max. W300 × H700 mm (W11-13/16" × H27-9/16")
- Door Thickness:  
WP-1L/R-Max.24 (15/16")  
WP-3L/R-Max.18 (11/16")
- Door Weight: Max. 1.8 kg/pair (3.9 lbs/pair)



Installation

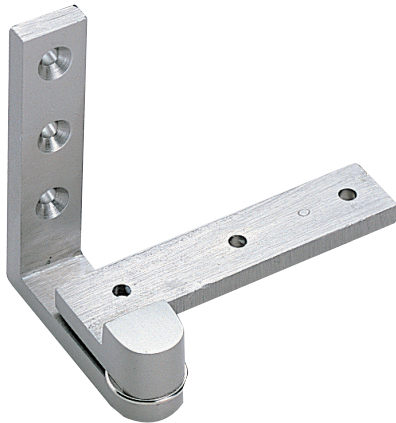
Item No.		A	B	C	D	Weight (g)	Box (pcs)	Carton (pcs)
Left	Right							
WP-1L	WP-1R	34	28	30.5	31	23	100	1000
WP-3L	WP-3R	28	22	24.5	25			

Material	Finish
430 Stainless Steel	Plain

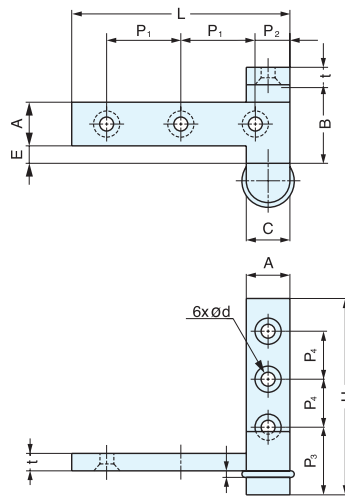
# OVERLAY DOOR PIVOT HINGE



**PAS**

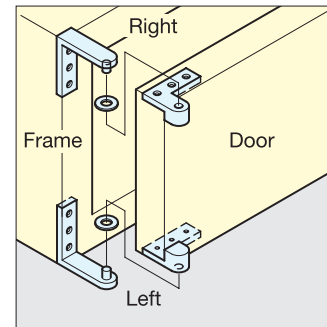


Left handed model shown.



Right handed model shown.

- Door Size: Max. W450 × H700 mm (W17-3/4" × H27-9/16")
- Recommended Door Thickness:  
PAS-50, 60 : 21 mm (13/16")  
PAS-80 : 25 mm (1")  
PAS-95 : 30 mm (1-3/16")
- Door Weight:  
PAS-50, 60: Max. 2.6 kg/pair (5.7 lbs/pair)  
PAS-80, 95: Max. 4 kg/pair (8.8 lbs/pair)



Installation

Material	Finish
Brass	Satin Nickel

Item No.	L	t	H	A	B	C	E	P <sub>1</sub>	P <sub>2</sub>	P <sub>3</sub>	P <sub>4</sub>	d	Weight (g)	Box (set)	Carton (set)
PAS-50	50	4.0	45	10	22.0	10	4	17	8.0	15.5	11.0	3.2	43	10	200
PAS-60	60	4.5	50	12		12		21	9.0	16.0	13.5				
PAS-80	80	6.0	70	16	26.5	15		30	10.0	24.0	19.0	4.2	161	8	32
PAS-95	95	6.5	80	19	31.5	16	9	35	12.5	26.0	22		233	6	24