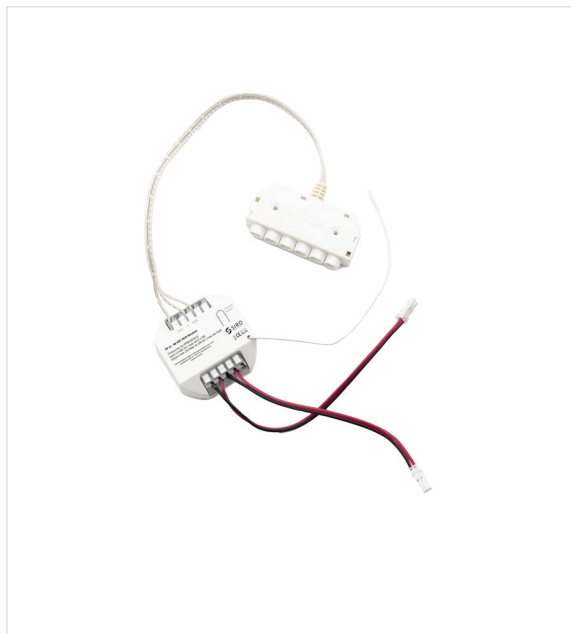
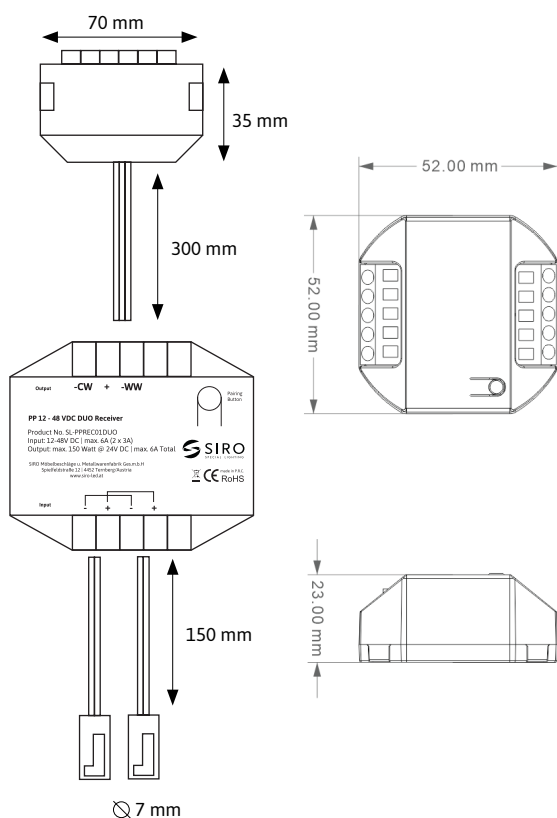


SL-PPREC01DUO

12 - 48V DC DUO Receiver



TECHNICAL DRAWING



PRODUCT FEATURES

- ▶ 12 - 48V DC DUO receiver as receiver for push power switch
- ▶ Ready to plug in for connecting SIRO MONO LED lights
- ▶ Up to 10 switch buttons (2-way or 4-way switches) or switch components can be connected.
- ▶ Radio-based range up to 80 meters.
- ▶ Functions: ON - OFF - DIMMING - setting the COLOR TEMPERATURE
- ▶ Product has a memory function (last light setting)
- ▶ Repeater Mesh function to activate & deactivate

ASSEMBLY

- ▶ The product can be stuck on or placed individually

DIMENSIONS

- ▶ Housing dimensions (LxDxH): 52 x 52 x 23 mm
- ▶ Distributor box dimensions (LxWxH): 70 x 35 x 16 mm

TECHNICAL FEATURES

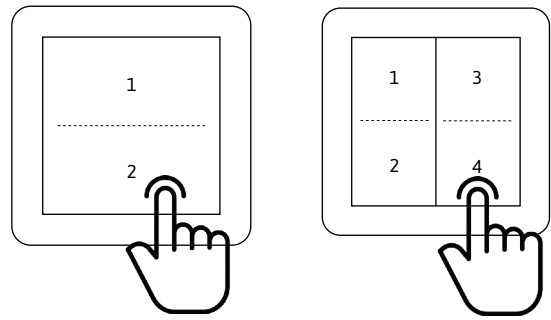
- ▶ Transfer protocol: RF 433 mhz
- ▶ Range (without mesh): 30 meters (indoors)
- ▶ IP Rating: IP20
- ▶ Entrance: 12 - 24 - 48V DC
2 x 150 mm connection cable with SIRO MONO plug
2 x 3A = max 72 Watt @ 24V DC
- ▶ Output power: 144 Watt @ 24V DC
1 x 150 mm connection cable with 6-way distribution
6A per connection = 144 Watt @ 24V DC
6A total = 144 Watt @ 24V DC
- ▶ Receiver Sensitivity: -110dBm
- ▶ Dimming method: PWM 1000 Hz
- ▶ Operating temperature: 0°C to 55°C
- ▶ Connecting socket: 2.6 x 2 mm rigid cable / solid conductor or stranded cable

SAFETY AND INSTALLATION INSTRUCTIONS

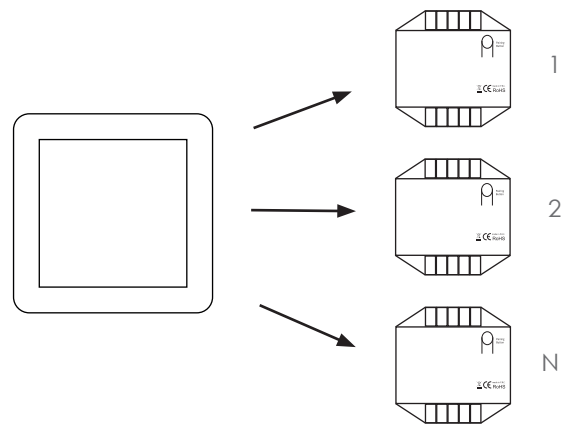
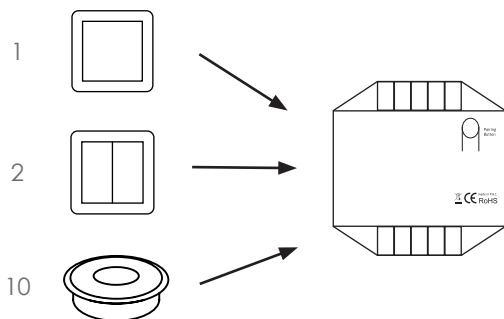
- ▶ This product is not a toy and is not suitable for children!
- ▶ The SIRO LED system is only suitable for indoor use. Unprotected outdoor use is not permitted. Contact with moisture must be avoided at all costs!

GENERAL FUNCTIONS

1, 2, 3, 4	2 or 4-way buttons
Single click:	Switching on or off
Click and hold:	Dimming 0 - 100%
Click and hold when switched off:	Night mode (5% brightness)
Single click with door sensor	Switching on or off
Single-click CCT rocker:	5 color levels (warm white - cool white)
Click and hold CCT rocker:	stepless adjustment of the Color temperature



POSSIBLE COMBINATIONS



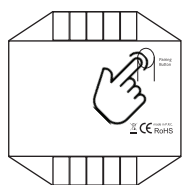
More controls on one receiver

a maximum of 10 PushPower control units (sensors, push buttons, etc.) can be connected to one receiver.

One control on several receivers

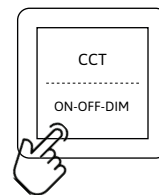
1 PushPower control unit can control any number of receivers control,.

CONNECTING THE CONTROL UNIT & RECEIVER

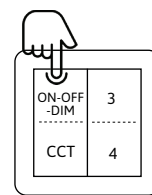


press and hold for 3 seconds

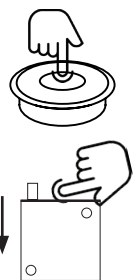
Indicator light on the receiver flashes



or

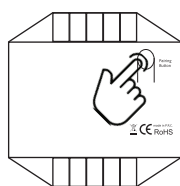


or



Press any button on a PushPower control unit.
2-way switch (2 options) or 4-way switch (4 options) or press the contact point for sensors

RESET RECEIVER



press and hold for 7 seconds

Indicator light on the receiver flashes



Indicator light on the receiver lights up continuously and then switches off