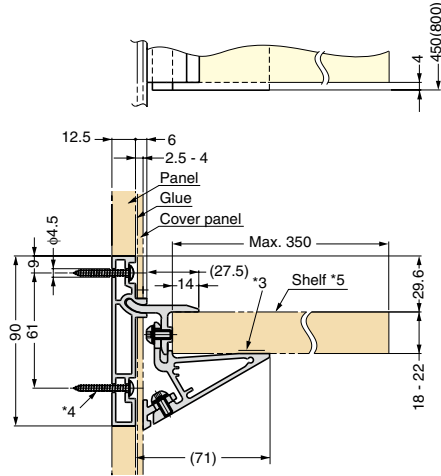
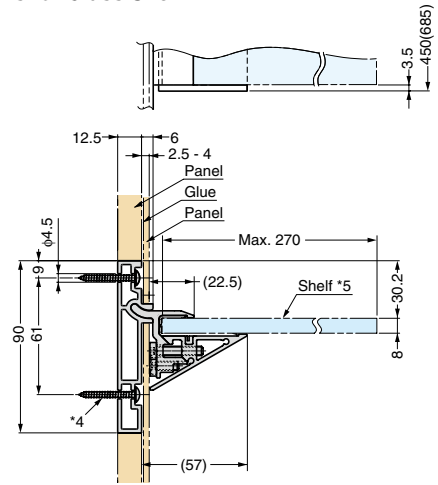


Dimensions for Wood Shelf



Dimensions for Glass Shelf

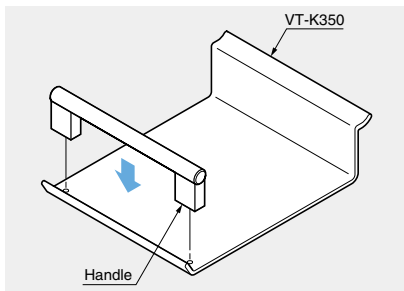


*3: Adhesive tape required. *4: Required screws: 4x50 *5: Shelves are not included.

Application Examples



Application Examples



Combination of VT-K350 (P.216) and handle.

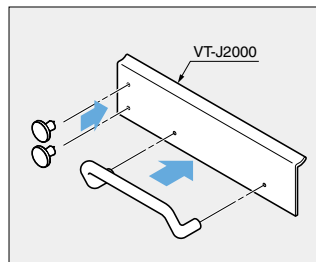
Application Examples



with I1014 (P.29)

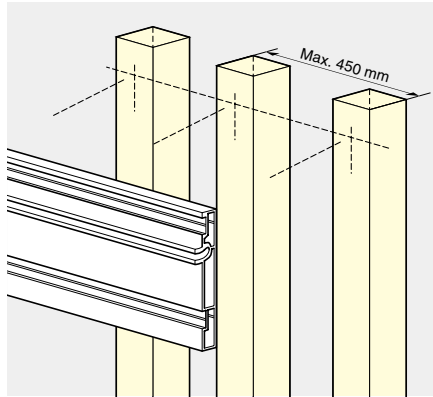


with TS (P.80) and LF-12 (P.24)

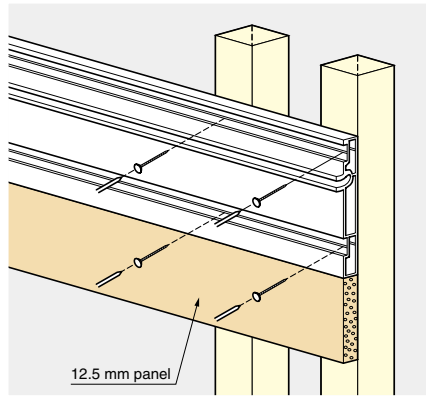


- Combination of VT-J2000 (P.216) and handle.
- Aluminium profile that can be cut to length.

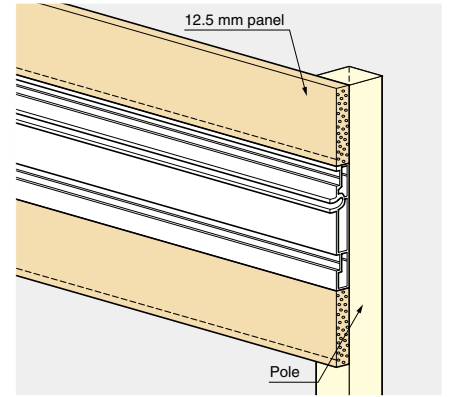
Installation



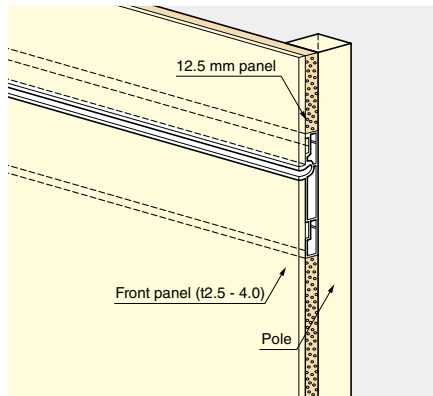
1. Decide application position. Make sure to place horizontally.



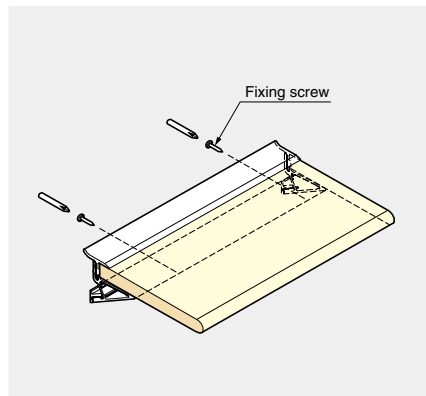
2. Apply an extra panel (12.5 mm) below the rail. Screw the board in place.



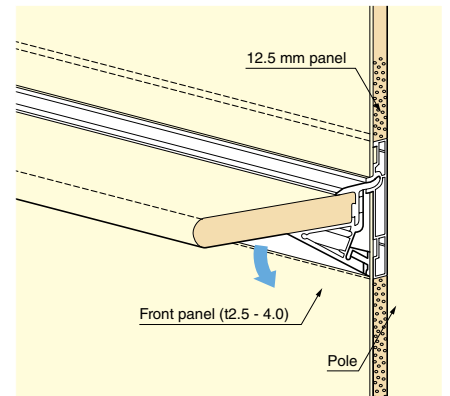
3. Next, apply a second panel (12.5 mm) above the rail.



4. Conceal rail, panels with 2.5 mm - 4.0 mm board.

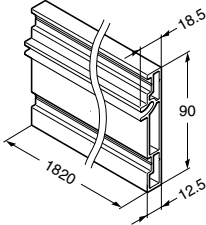
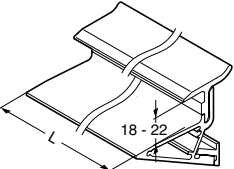


5. Attach shelf and shelf holder with screws as shown in the above.



6. Slant the shelf board into the rail slot and drop down once the board is horizontal.

VT Part Details

Item Code	Item Name		Dimensions	Material/Finish	Length L	Shelf Thickness	Load Capacity	Weight
130-030-690	VT-A1820	Slotted Panel Bracket		Aluminium Alloy / Anodized Silver	1820	-	-	2.5 kg
130-031-196	VT-X450	Shelf Bracket for Wood		Aluminium Alloy / Anodized Silver	442	18 - 22	392 N*	1.2 kg
130-030-691	VT-X800				792			2.2 kg

*End cap VT-E65 is included.

*Load capacity does not include the weight of shelf panel.