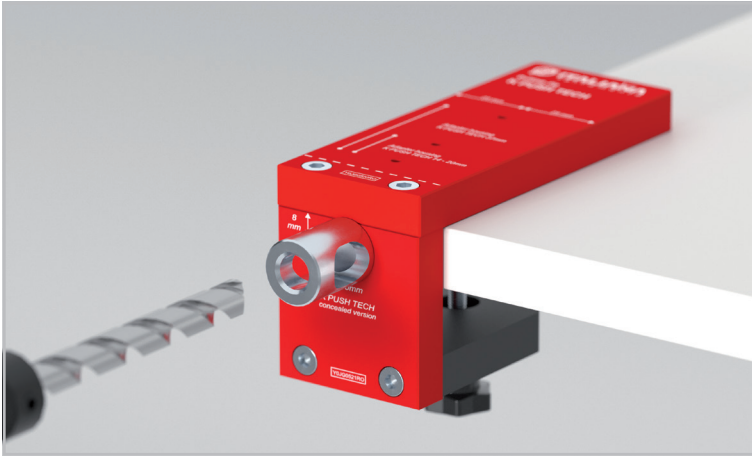


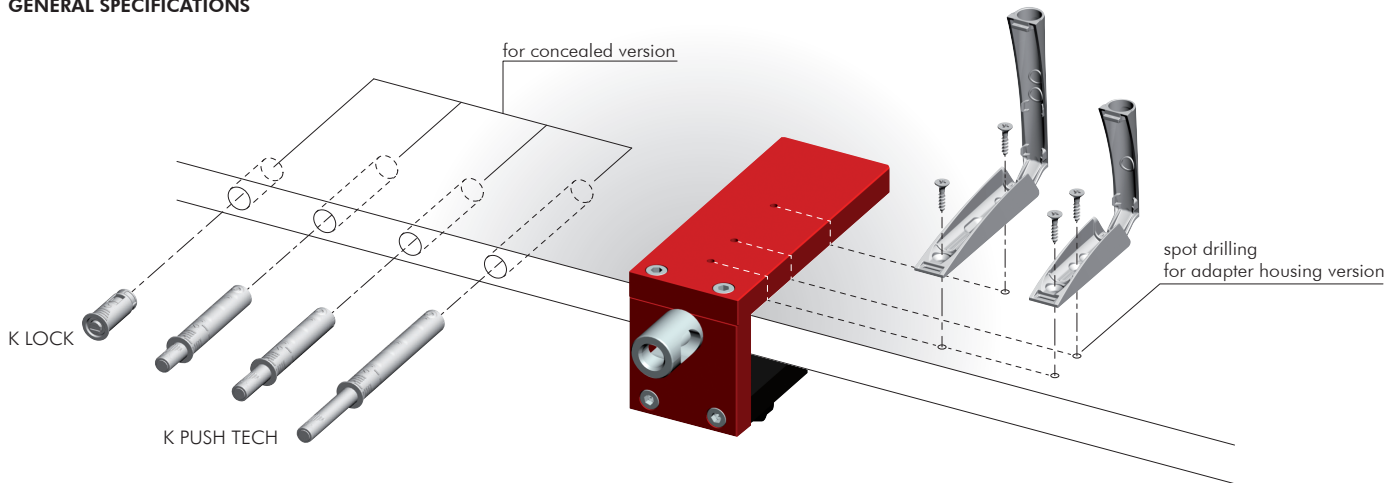


DRILLING JIG FOR K PUSH TECH

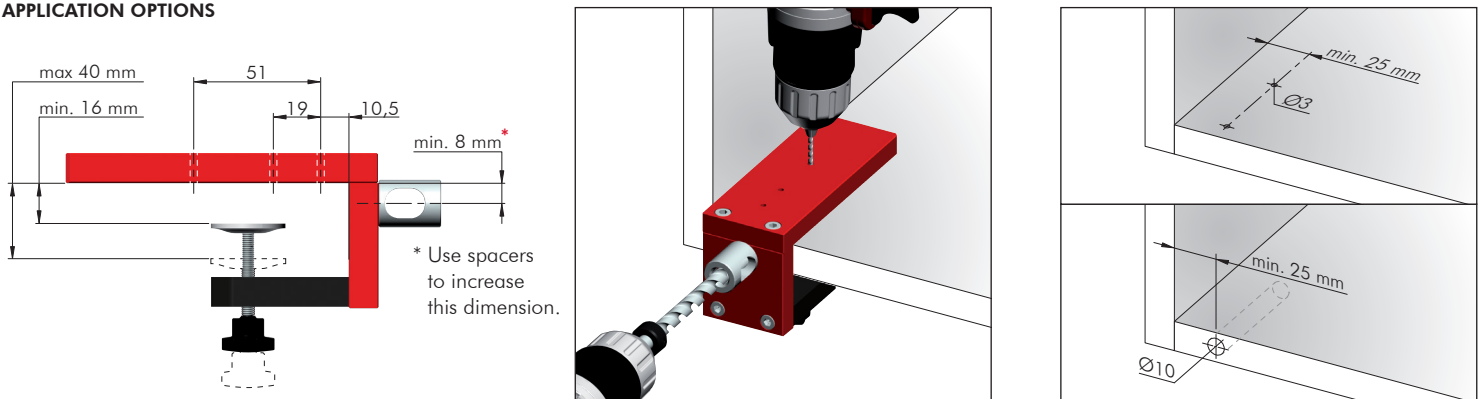


16 - 40 mm

GENERAL SPECIFICATIONS

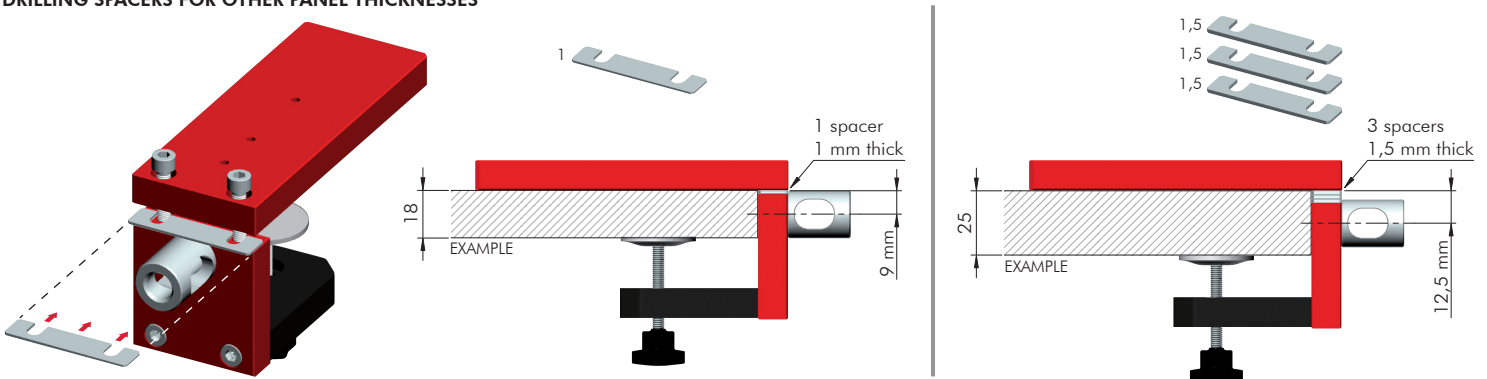


APPLICATION OPTIONS

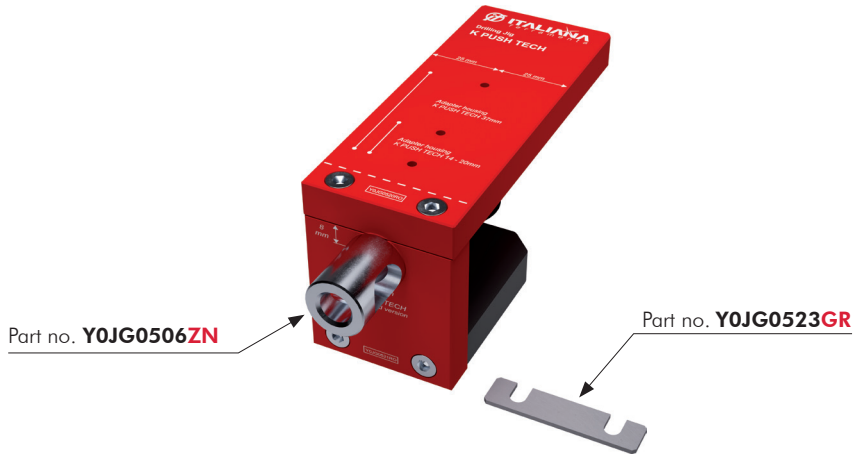


9

DRILLING SPACERS FOR OTHER PANEL THICKNESSES



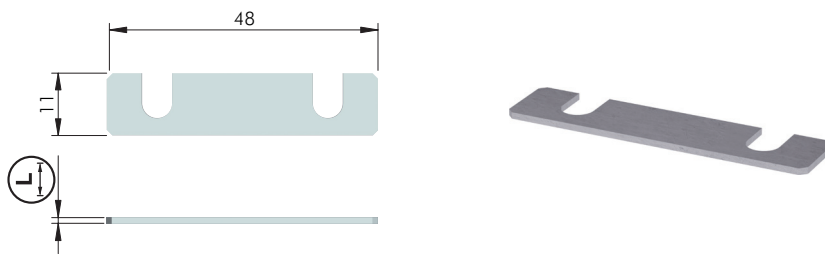
K PUSH TECH DRILLING JIG FOR PANEL THICKNESS 16 AND 18 mm



AL	ST	EP	= on request
YOJG0110RO			

NOTE: The product code includes all the components shown in the picture.

K PUSH TECH DRILLING JIG ACCESSORIES



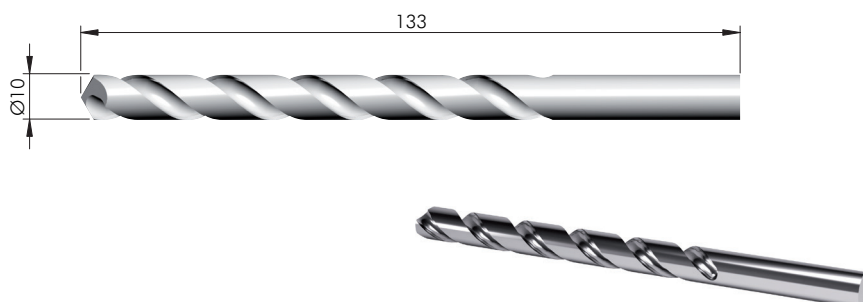
AL	= on request
YOJG0523GR	1
YOJG0524GR	1,5

DRILLING JIG DEPTH STOP COLLARS



ST	= on request
YOJG051800	Ø10

DRILL BIT



HSS	= on request
YOJG052900	

NOTE: For drilling jig we recommend to use precision-ground steel drill bit HSS-G.