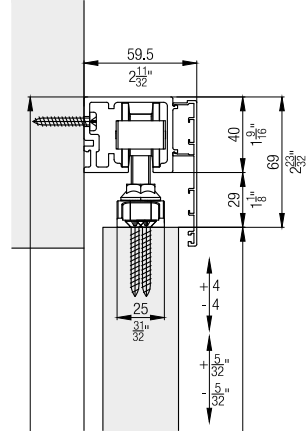


$$TH = H - 79$$

$$PH = H - 38$$



$$TH = H - 79$$

$$PH = H - 38$$

