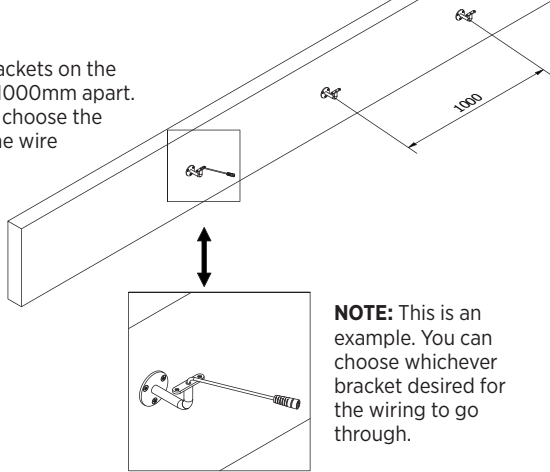


## WALL MOUNTING - INSTRUCTION SHEET

**1.**

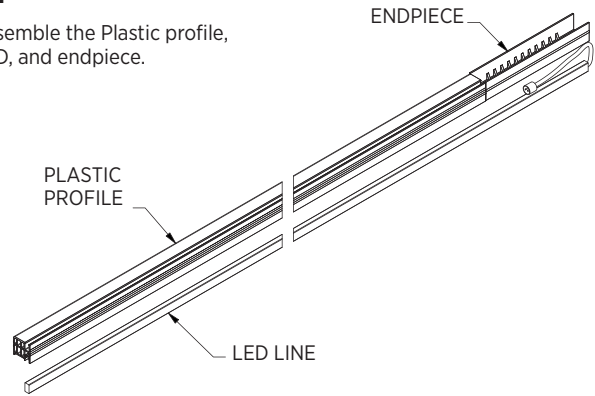
Install the brackets on the desired wall 1000mm apart. Make sure to choose the location of the wire carefully.



**NOTE:** This is an example. You can choose whichever bracket desired for the wiring to go through.

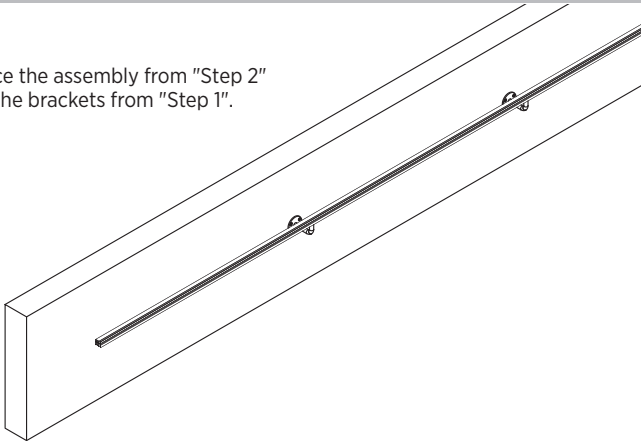
**2.**

Assemble the Plastic profile, LED, and endpiece.



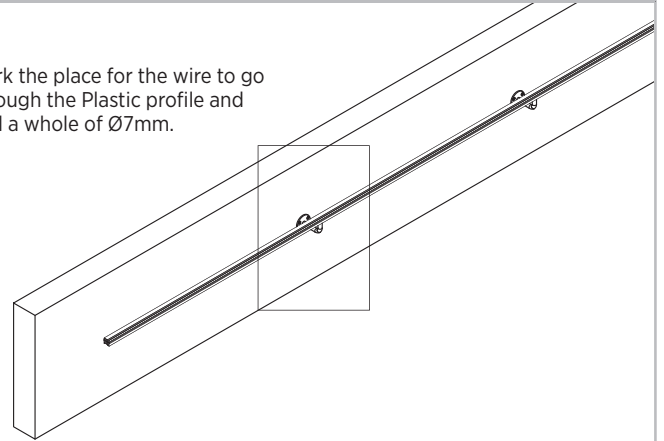
**3.**

Place the assembly from "Step 2" on the brackets from "Step 1".

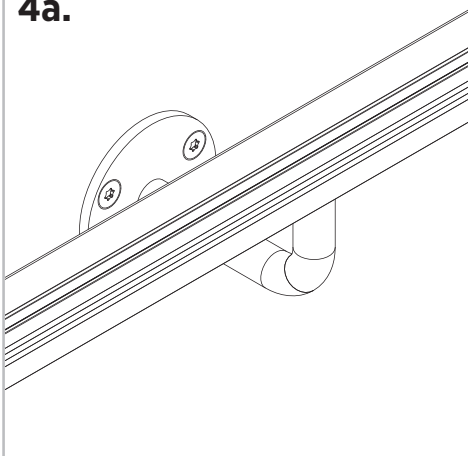


**4.**

Mark the place for the wire to go through the Plastic profile and drill a whole of Ø7mm.

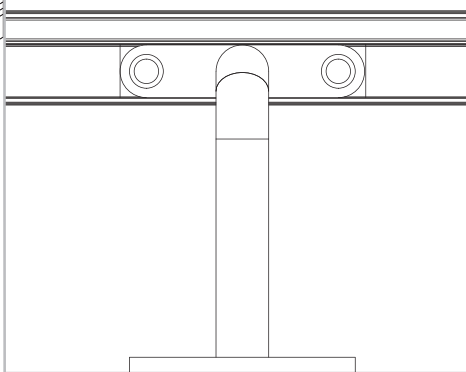


**4a.**

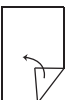
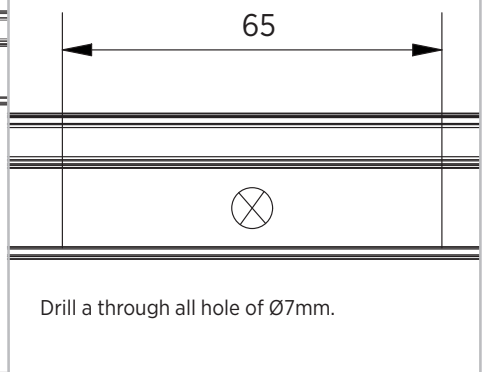


**4b.**

Mark the center of the hole for the wire to go through.



**4c.**

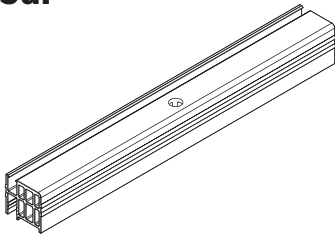


### 5.

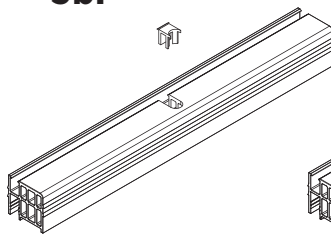
Cut the extra material so the wire can travel through the slot in the plastic profile.

**ATTENTION:** Be careful when cutting the Plastic profile to not damage the LED line or any other parts.

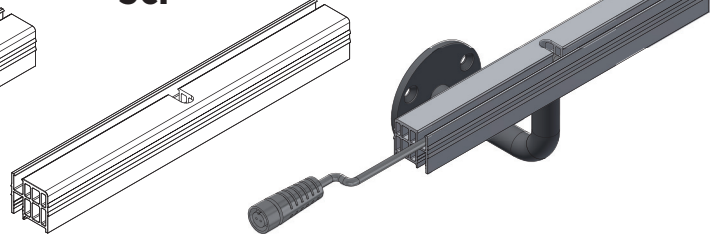
#### 5a.



#### 5b.



#### 5c.



Now assemble the rest of the system.

