

LAMP CONCEALED HINGE J95 93°Opening / Inset

Latest Info



A
HINGES

Passed Private 40K Cycle Test



- 3-way-adjustment function by mounting plate (depth + 1.5, - 2.5 mm, vertical ± 3 mm, overlay [horizontal] + 0, - 4 mm).
- Snap on mount.

Sold Separately

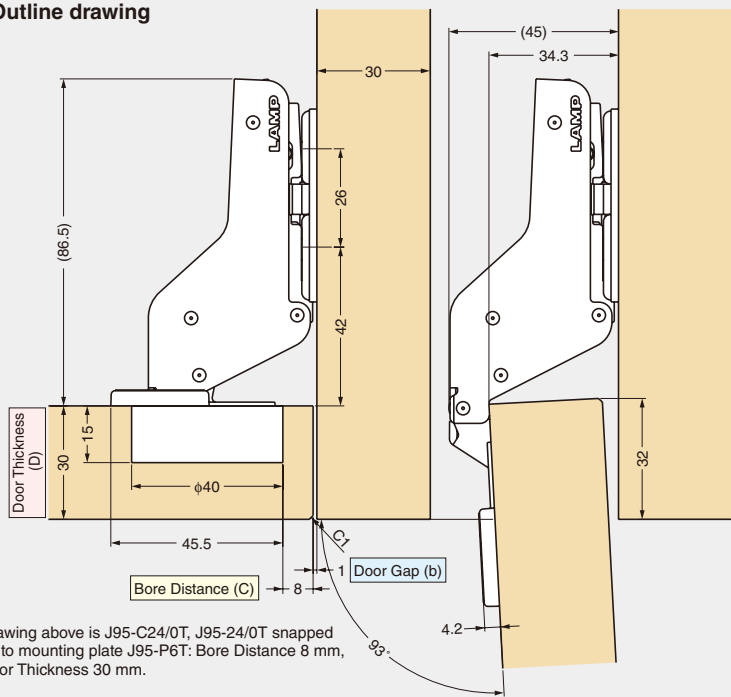
- Mounting Plate (P.72)
- Face plate for glass door (P.74 - 75)
- Safety cover (P.73)
- Cover for mounting plate (P.73)



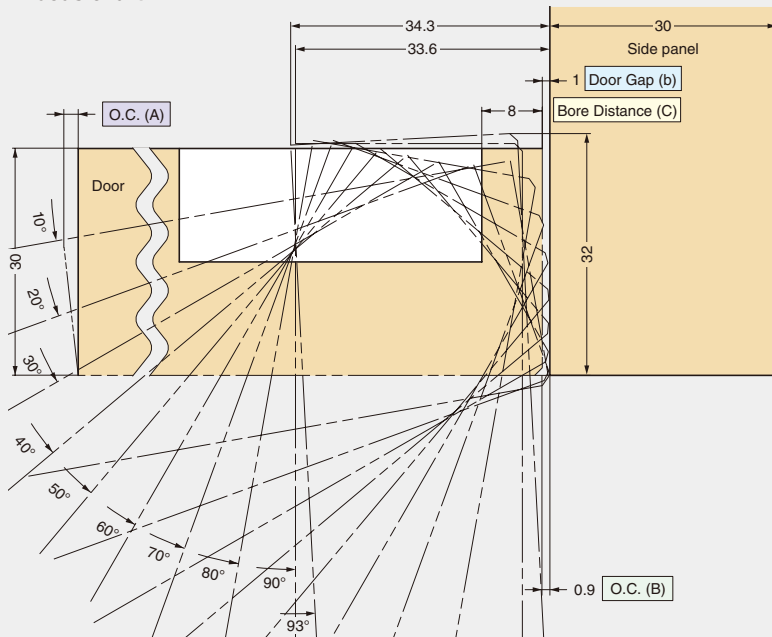
Picture above is the combination of concealed hinge and mounting plate.

93°Opening Inset Door Thickness 18 - 30 mm

• Outline drawing



• Locus chart



Bore Distance (C)

Bore Distance (C)	3	4	5	6	7	8
Door Gap (b)	6	5	4	3	2	1

Overlay adjustment (Max. -4 mm) by turning the overlay adjustment screw.

Opening Clearance (O.C.)

Clearances for door edge O.C. (A) and hinge side O.C. (B) are necessary. O.C. (A) and (B) change depending on door thickness and bore distance (C). Refer to locus chart and tables below when designing cabinets.

O.C. (B)

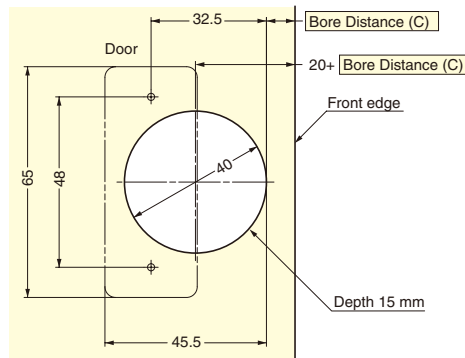
Door Thickness (D)	Bore Distance (C)					
	3	4	5	6	7	8
18	0	0	0	0	0	0
20	0	0	0	0	0	0
22	0.1	0.1	0.1	0.1	0	0.1
24	0.1	0.1	0.1	0.1	0.1	0.1
26	0.3	0.3	0.3	0.3	0.3	0.3
28	1.7	1.1	0.6	0.5	0.5	0.5
30	3.5	2.9	2.3	1.8	1.0	0.9
32	5.4	4.7	4.1	3.6	3.0	2.5
34	7.3	6.6	6.0	5.4	4.8	4.3
O.C. (B)						

Please refer to the locus chart if door thickness is over 30 mm.

O.C. (A)

Door Thickness (D)	Door Width						
	300	400	500	600	700	800	900
20	0.90	0.60	0.50	0.40	0.40	0.30	0.30
O.C. (A)							

Cut Out Dimensions



- Recommended screw
Size 5 raised countersunk head tapping screw or wood screw.

Door Dimensions and Number of Hinges

Please refer to P.67.

Item Code	Item Name	Type	Material	Finish	Weight	Carton
160-033-660	J95-24/OT	w/o Catch	Body/Steel, Cup/ Zinc Alloy (ZDC)	Nickel	148 g	50 pcs
160-033-659	J95-C24/OT	w/ Catch			160 g	50 pcs
160-034-921	J95-24-OT BN	w/o Catch		Black Nickel	148 g	50 pcs
160-034-918	J95-C24-OT BN	w/ Catch			160 g	50 pcs