

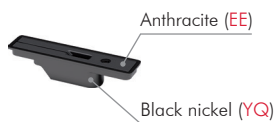


KIARO EASY

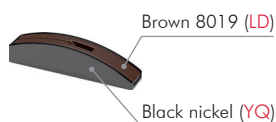
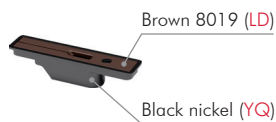


AVAILABLE FINISHES

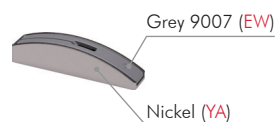
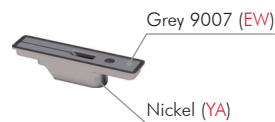
Anthracite (EE)



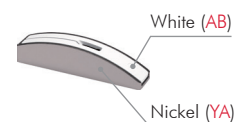
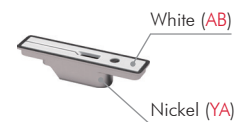
Brown 8019 (LD)



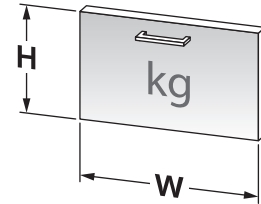
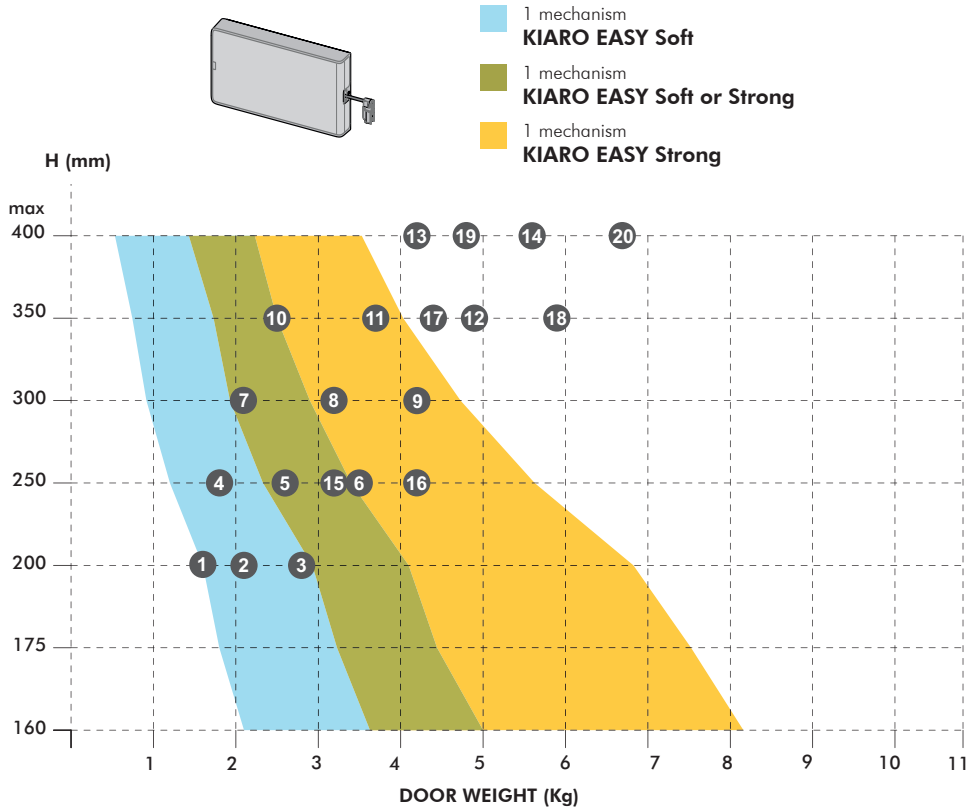
Grey 9007 (EW)



White (AB)



KIARO EASY SINGLE INSTALLATION

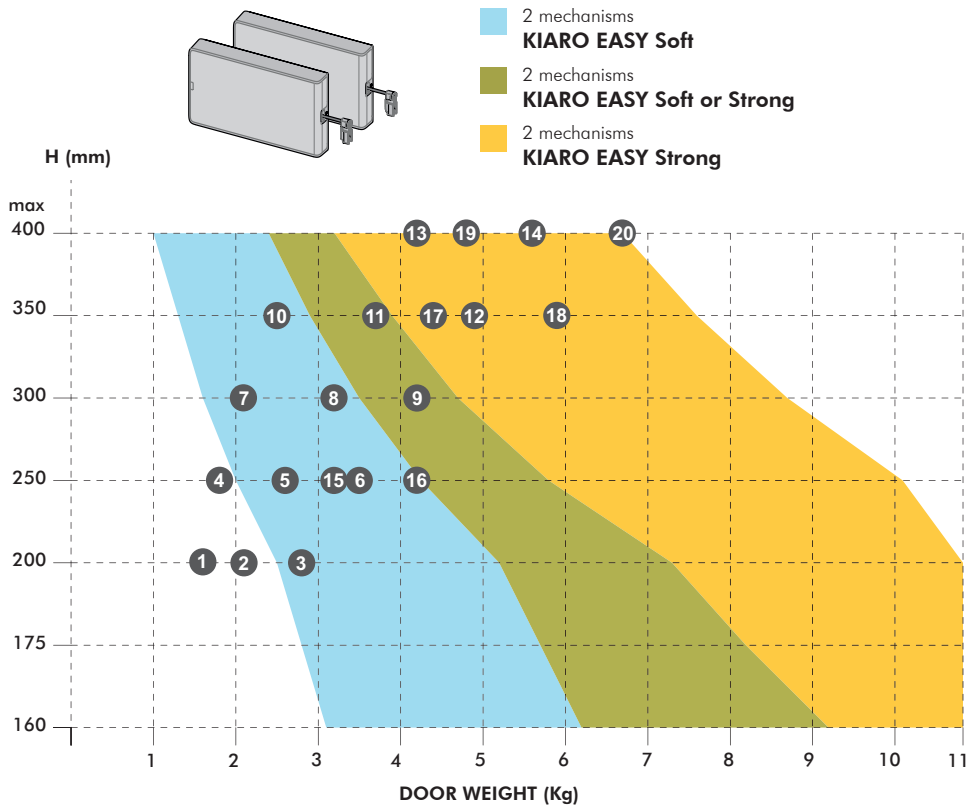


Door weight including the possible handle.

		H	W	Weight
		mm	mm	theoretical
1	Chipboard door thk 18mm	200	600	1,6 kg
2	Chipboard door thk 18mm	200	900	2,1 kg
3	Chipboard door thk 18mm	200	1200	2,8 kg
4	Chipboard door thk 18mm	250	600	1,8 kg
5	Chipboard door thk 18mm	250	900	2,6 kg
6	Chipboard door thk 18mm	250	1200	3,5 kg
7	Chipboard door thk 18mm	300	600	2,1 kg
8	Chipboard door thk 18mm	300	900	3,2 kg
9	Chipboard door thk 18mm	300	1200	4,2 kg
10	Chipboard door thk 18mm	350	600	2,5 kg
11	Chipboard door thk 18mm	350	900	3,7 kg
12	Chipboard door thk 18mm	350	1200	4,9 kg
13	Chipboard door thk 18mm	400	900	4,2 kg
14	Chipboard door thk 18mm	400	1200	5,6 kg
15	MDF door thk 18mm	250	900	3,2 kg
16	MDF door thk 18mm	250	1200	4,2 kg
17	MDF door thk 18mm	350	900	4,4 kg
18	MDF door thk 18mm	350	1200	5,9 kg
19	MDF door thk 18mm	400	900	4,8 kg
20	MDF door thk 18mm	400	1200	6,7 kg

Weight considering: Chipboard 650 Kg/m³ and MDF 780 Kg/m³.

KIARO EASY DOUBLE INSTALLATION



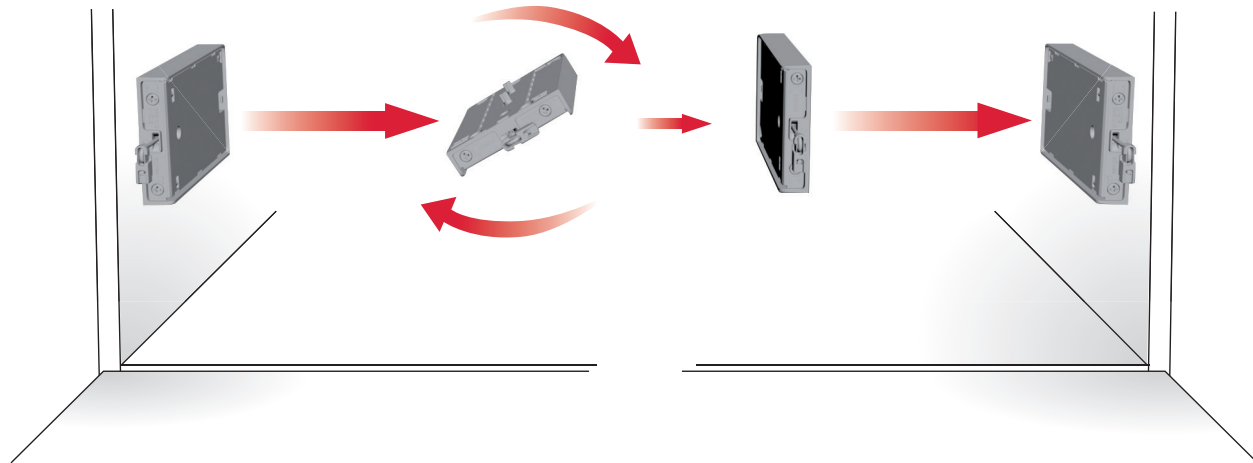
8

These are experimental results to be checked by the customer.

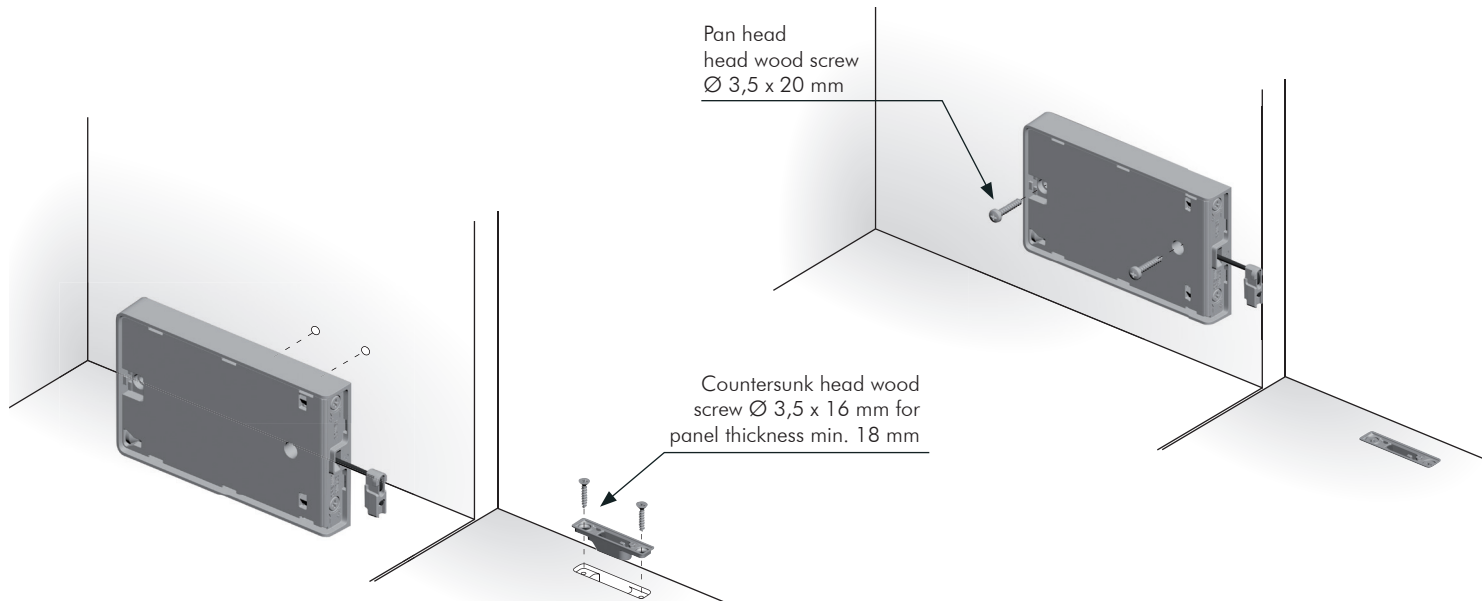
In accordance with the actual European regulation, we suggest where possible to use two KIARO EASY mechanisms for each door. Our technical department is at your disposal to analyze further cases out of this chart.



UNHANDED MECHANISM

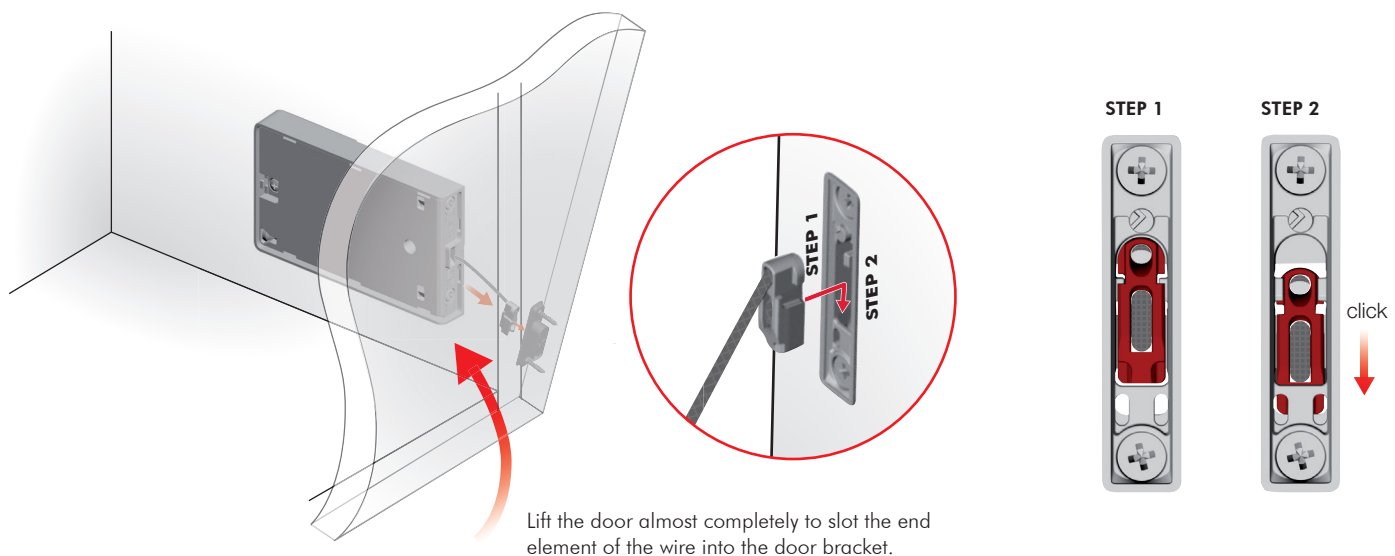


MECHANISM AND DOOR BRACKET INSTALLATION

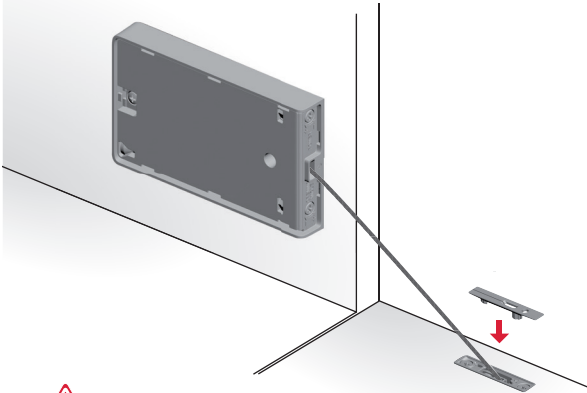


8

WIRE INSERTION ONTO THE DOOR BRACKET

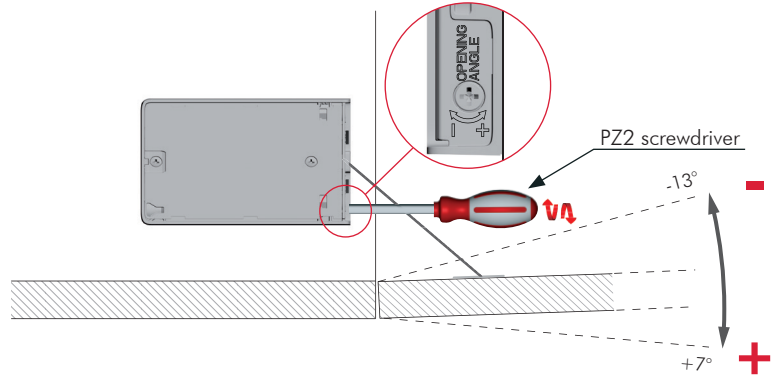


DOOR BRACKET COVER CAP INSERTION



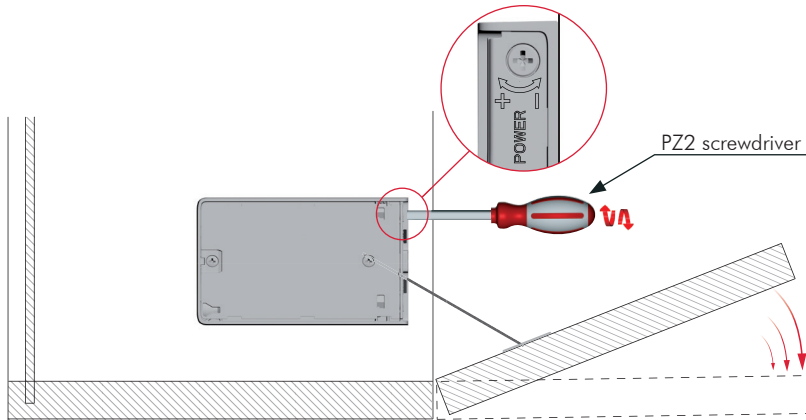
Place the cover cap on the door bracket before lifting the door.

OPENING ANGLE ADJUSTMENT



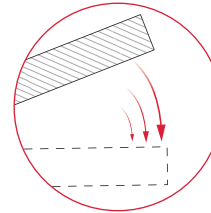
The adjustment of door opening angle must be carried out before the power adjustment.

POWER ADJUSTMENT



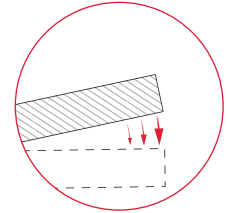
Power +

The slowing phase of door opening is anticipated.



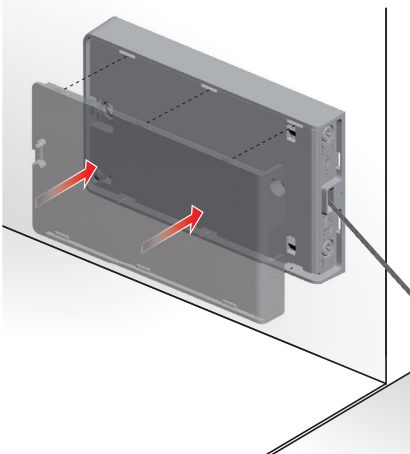
Power -

The slowing phase of door opening is delayed.

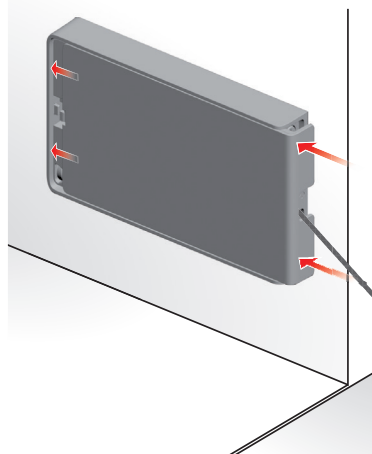


MECHANISM COVER INSERTION

STEP 1

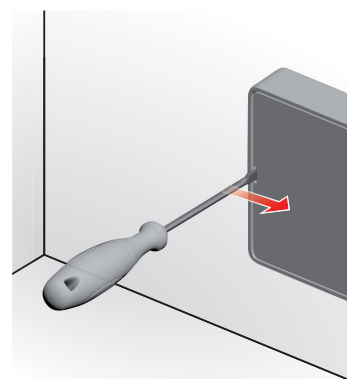


STEP 2

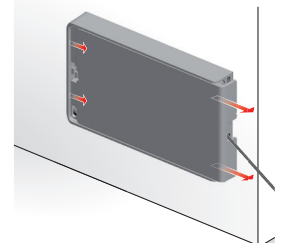


MECHANISM COVER REMOVAL

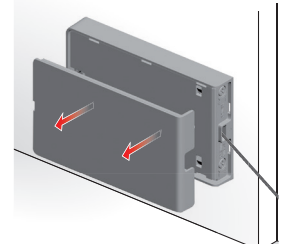
Use a blade screwdriver to unlock the cover and proceed with showed removal steps.



REMOVAL STEP 1



REMOVAL STEP 2

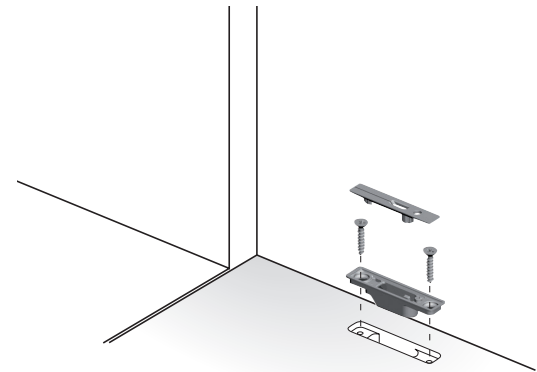
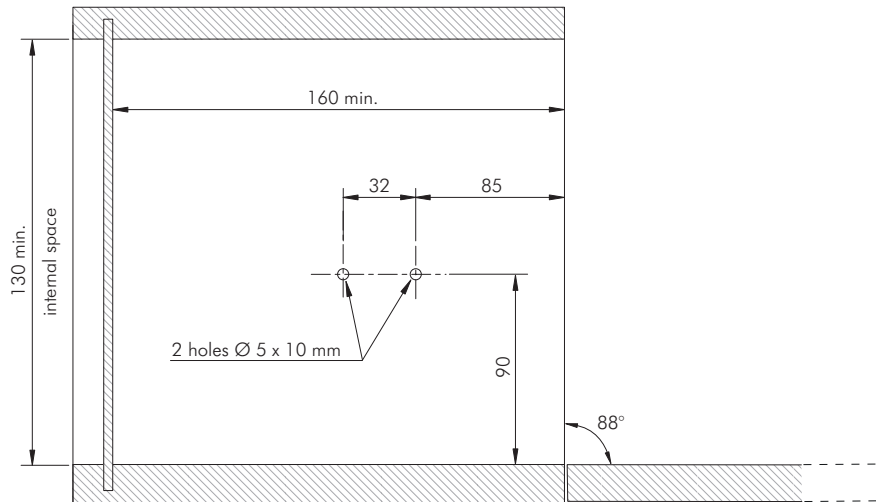




KIARO EASY WITH KIMANA HINGE

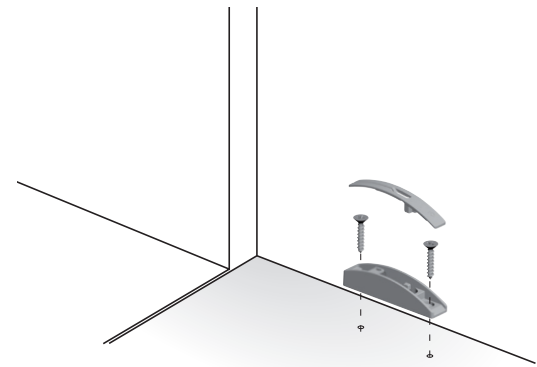
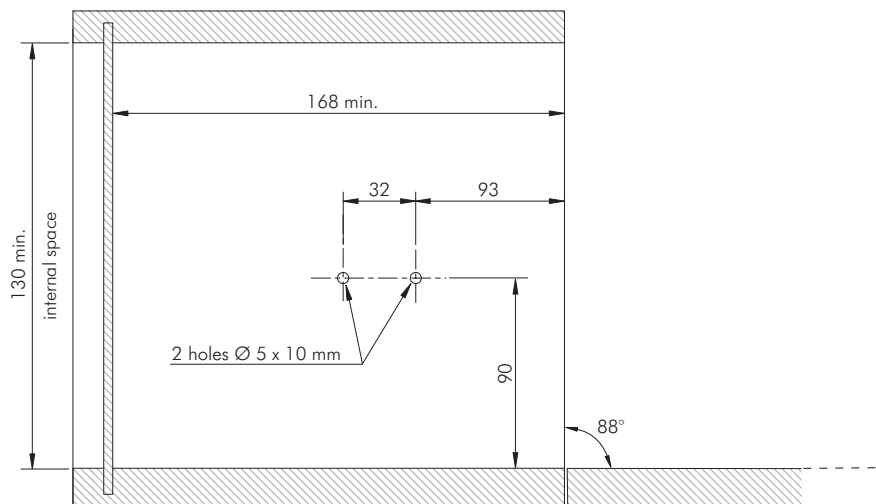


SIDE PANEL DRILLING PLAN WITH EMBEDDED DOOR BRACKET



Overcrossing 90° door opening angle, negatively affects the Kimana hinges.

SIDE PANEL DRILLING PLAN WITH SCREW FIXING DOOR BRACKET



Overcrossing 90° door opening angle, negatively affects the Kimana hinges.

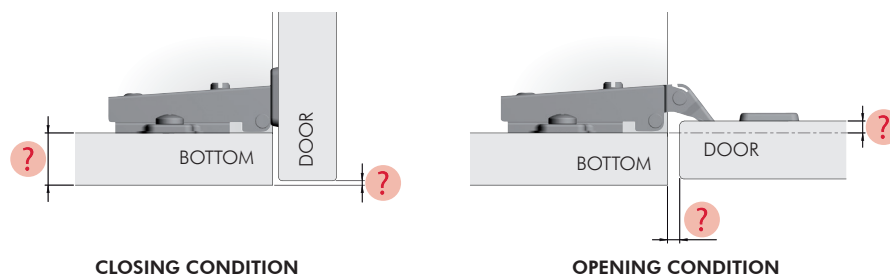


In case of door without handles it is recommended to use **K Push Tech with buffer**.

KIARO EASY WITH STANDARD UNSPRUNG HINGES

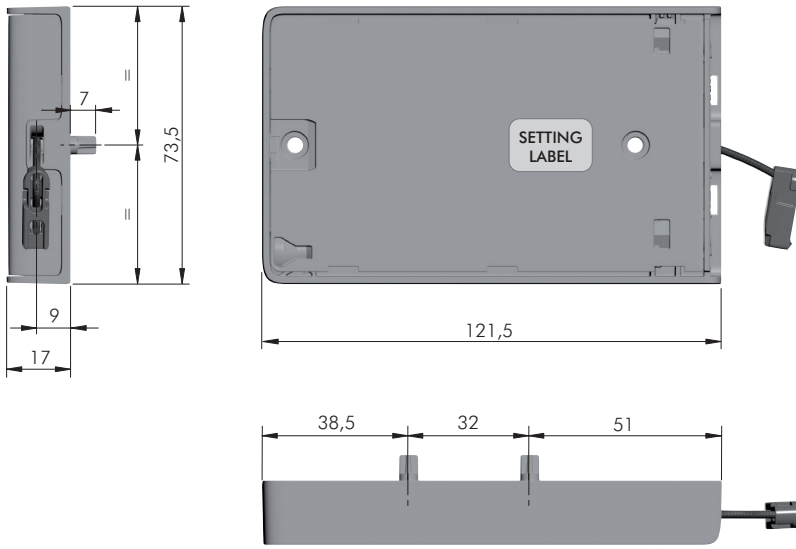


In case the hinges to be installed are not KIMANA hinges, please contact our technical department to receive the correct drilling plan. It is necessary to indicate all the values requested in the following diagram:





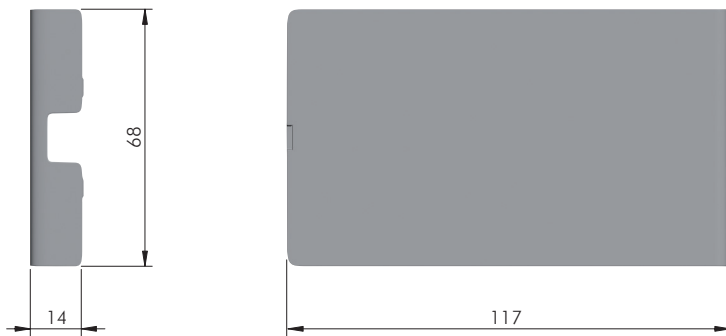
KIARO EASY MECHANISM



ZA	EP	ST	= 20 pcs.	
49504000EE	EW	LD	AB	Soft
49506000EE	EW	LD	AB	Strong



KIARO EASY COVER



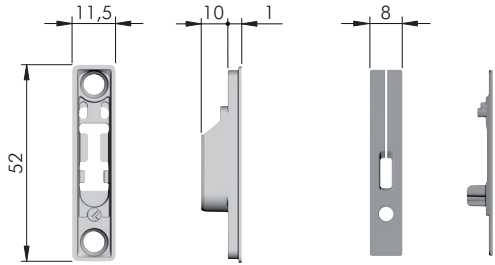
EP	= 20 pcs.			
49502000EE	EW	LD	AB	



8



EMBEDDED DOOR BRACKET



= $\varnothing 2,5$ mm

ZA EP

= 20 pcs.



49503000YQ

EE

YQ

49503000YA

EW

YA

49503010YQ

LD

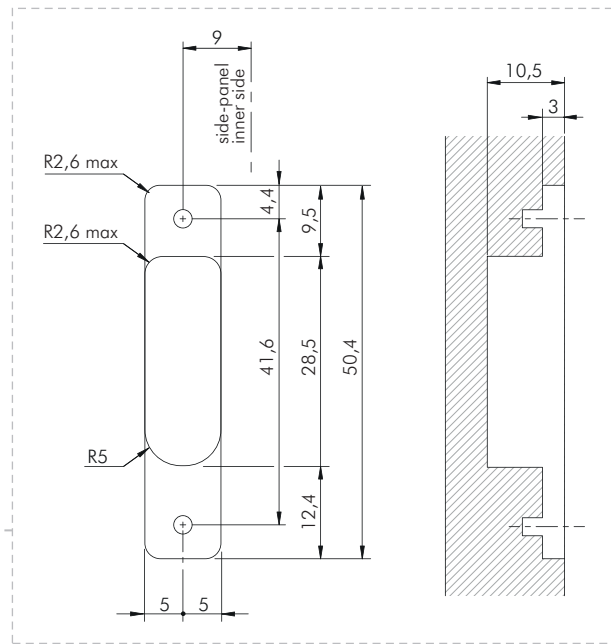
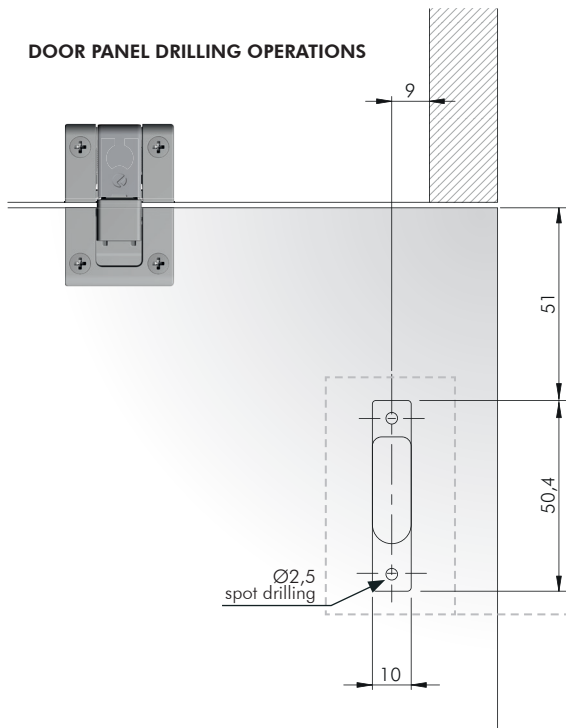
YQ

49503010YA

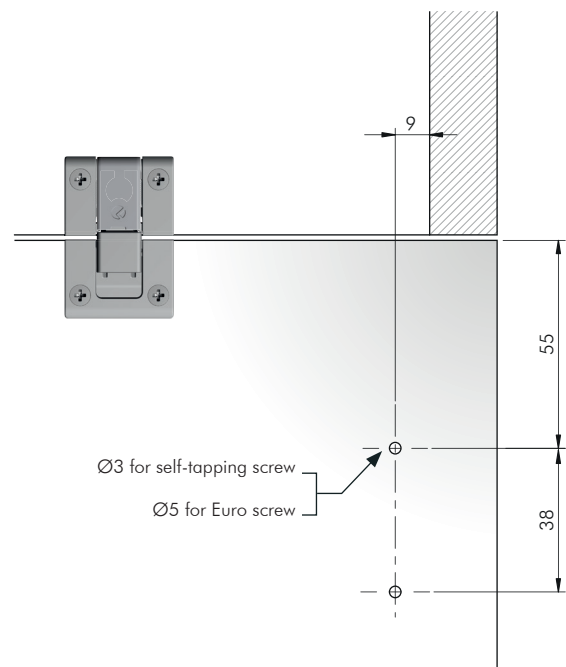
AB

YA

DOOR PANEL DRILLING OPERATIONS



SCREW FIXING DOOR BRACKET



= $\varnothing 3$ mm, $\varnothing 5$ mm

ZA EP

= 20 pcs.



49503500YQ

EE

YQ

49503500YA

EW

YA

49503510YQ

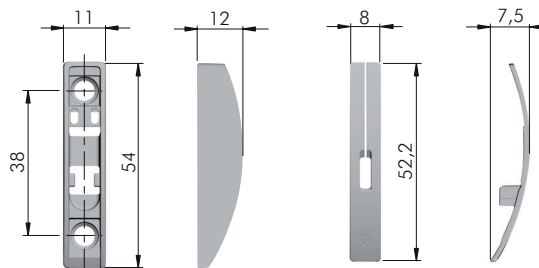
LD

YQ

49503510YA








AB

YA











ACCESSORY FOR MECHANISM FIXING

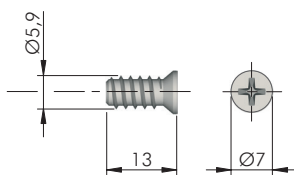










	= Ø 3 mm	
		 = PZ2
ST		 = 10.000 pcs.
		
60103160ZN		

ACCESSORIES FOR DOOR BRACKET FIXING



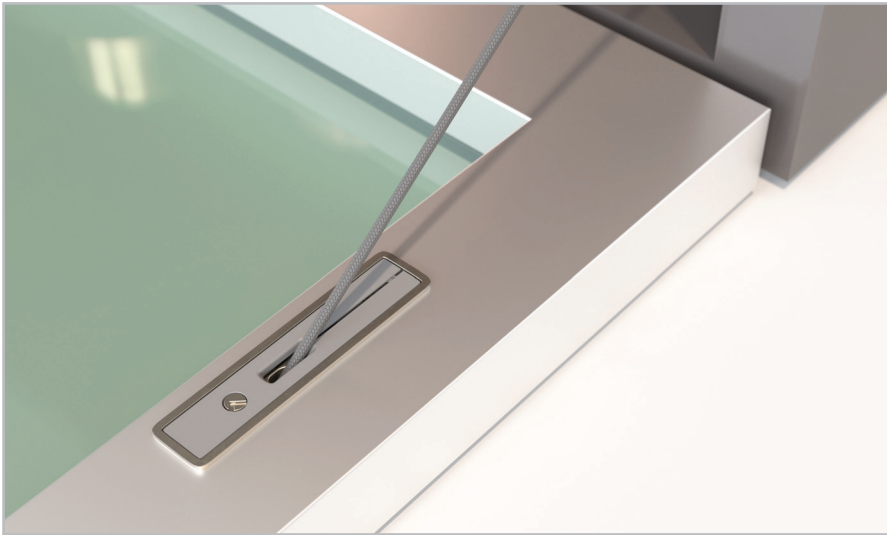
	= Ø 3 mm	
		 = PZ2
ST		 = 10.000 pcs.
		
60101390ZN		



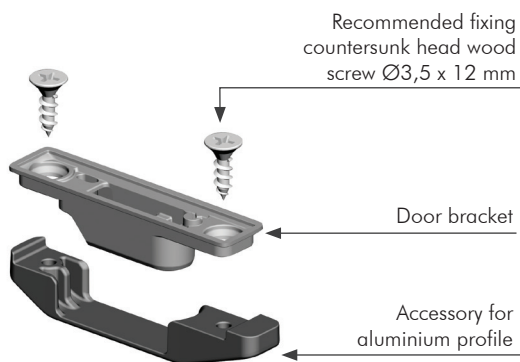
	= Ø 5 mm	
		 = PZ2
ST		 = 5000 pcs.
		
60503050ZN		



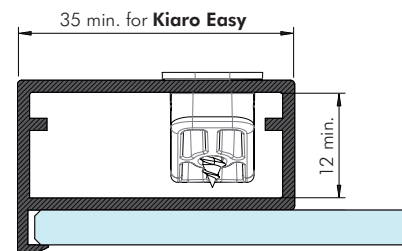
DOOR BRACKET ACCESSORY FOR DOORS WITH ALUMINIUM PROFILE



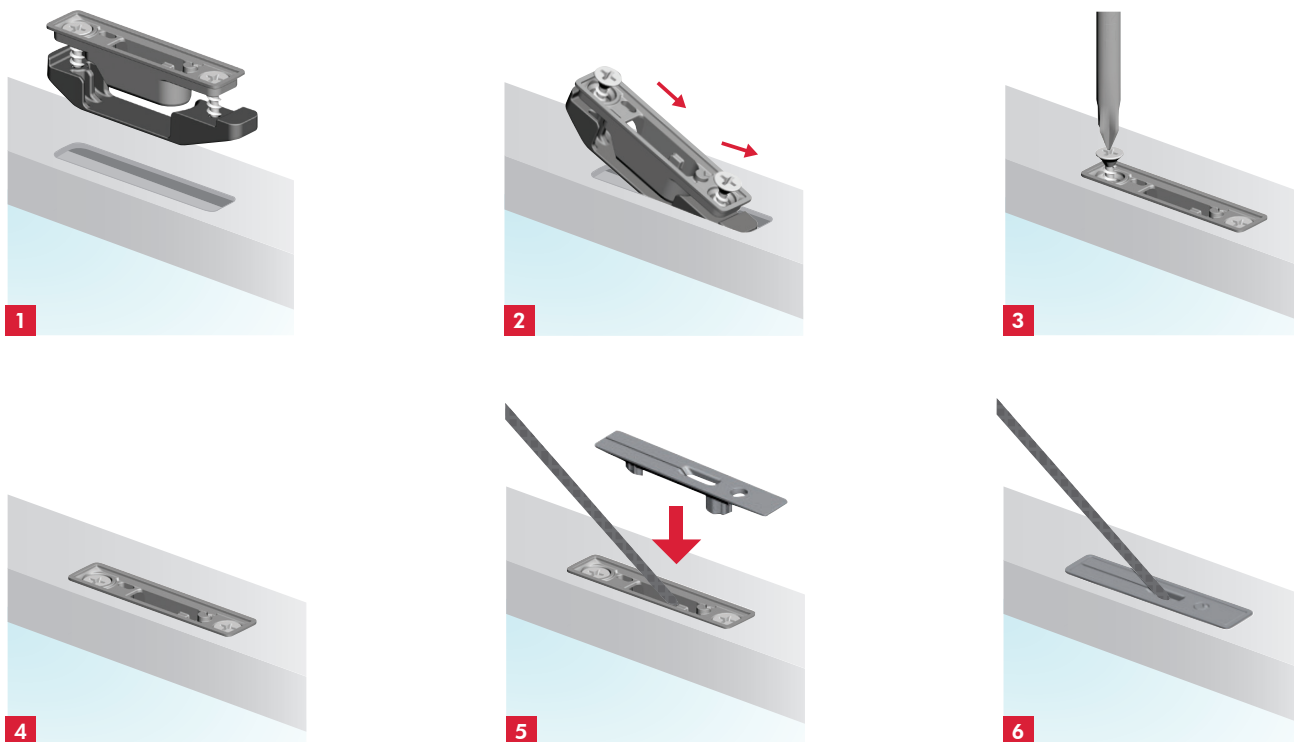
DOOR BRACKET INSTALLATION



DOOR SPECIFICATION

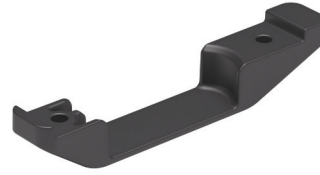
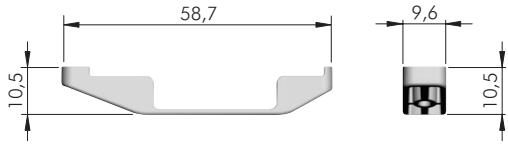


Join the door bracket with the accessory keeping the screws loose



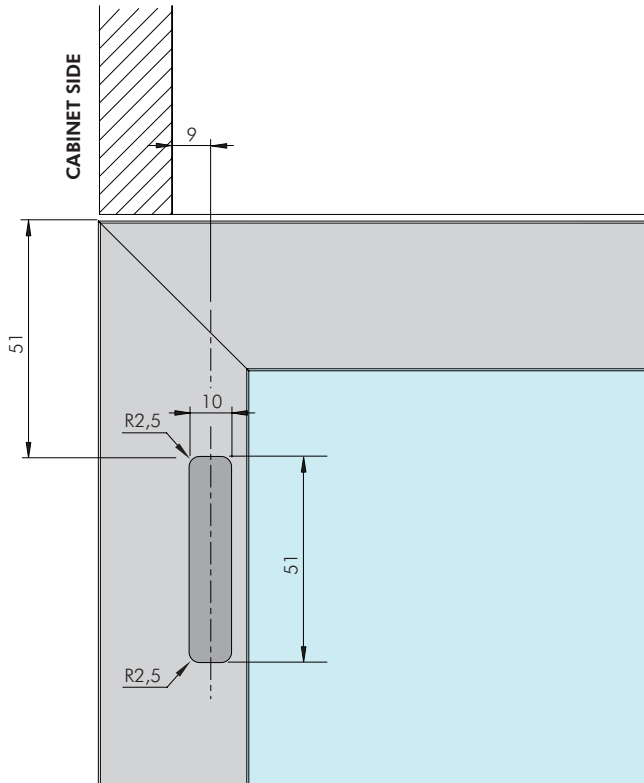


OPENING SYSTEMS FOR LIFT UP AND DROP DOWN DOORS



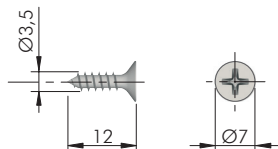
EP	= 1500 pcs.
4630208000	

DRILLING PLAN FOR KIARO EASY



8

FIXING ACCESSORY



= Ø 3 mm	
= PZ2	
ST	= 10.000 pcs.
60101380ZN	