

LIN-X450 Individual Parts for Tall/Heavy Door

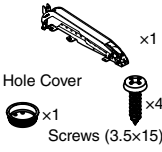
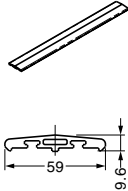
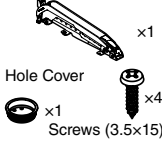
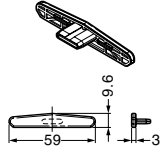
Parts Set
(Per Door)

Necessary Parts

Please refer to parts included in each set.

Item Code	Item Name	Door Height	Door Weight	Parts Included			
				Hinge Set (With Damper) Item Name : LIN-X450ACD	Hinge Set (Without Damper) Item Name : LIN-X450A	Connecting Bar Item Name : LIN-X45-Lxxx	End Cap For Connecting Bar Item Name : LIN-X45C
250-016-704	LIN-X450S-1210	901-1200 mm	7.1-10.5 kg	3 sets	-	840 mm x 1 pc	2 pcs
250-016-705	LIN-X450S-1214		10.6-14 kg	3 sets	1 set		2 pcs
250-016-707	LIN-X450S-1510	1201-1500 mm	7.1-10.5 kg	3 sets	-	1140 mm x 1 pc	2 pcs
250-016-708	LIN-X450S-1514		10.6-14 kg	3 sets	1 set		2 pcs
250-016-709	LIN-X450S-1517		14.1-17 kg	3 sets	2 sets		2 pcs
250-016-711	LIN-X450S-1810		7.1-10.5 kg	3 sets	-		2 pcs
250-016-712	LIN-X450S-1814	1501-1800 mm	10.6-14 kg	3 sets	1 set	1440 mm x 1 pc	2 pcs
250-016-713	LIN-X450S-1817		14.1-17 kg	3 sets	2 sets		2 pcs
250-016-716	LIN-X450S-2110	1801-2100 mm	7.1-10.5 kg	3 sets	-	1740 mm x 1 pc	2 pcs
250-016-717	LIN-X450S-2114		10.6-14 kg	3 sets	1 set		2 pcs
250-016-718	LIN-X450S-2117		14.1-17 kg	3 sets	2 sets		2 pcs
250-016-723	LIN-X450S-2414		10.6-14 kg	3 sets	1 set		2 pcs
250-016-724	LIN-X450S-2417	2101-2400 mm	14.1-17 kg	3 sets	2 sets	2040 mm x 1 pc	2 pcs

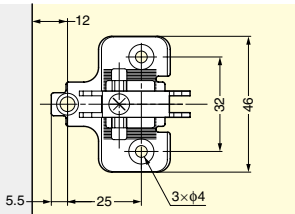

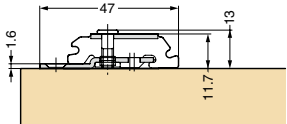

Parts Included

No.	Part Name	Description	No.	Part Name	Description
1	Hinge Body with Damper	 <p>Item Code : 250-016-240 Part Name : LIN-X450ACD</p> <ul style="list-style-type: none"> Material: Steel Finish: Nickel 	3	Connecting Bar	 <p>Item Code : 250-016-250 Part Name : LIN-X45-L540</p> <p>Item Code : 250-016-252 Part Name : LIN-X45-L840</p> <p>Item Code : 250-016-254 Part Name : LIN-X45-L1140</p> <p>Item Code : 250-016-255 Part Name : LIN-X45-L1440</p> <p>Item Code : 250-016-256 Part Name : LIN-X45-L1740</p> <p>Item Code : 250-016-259 Part Name : LIN-X45-L2040</p> <ul style="list-style-type: none"> Material: Aluminium Alloy Finish: Anodized
2	Hinge Body without Damper	 <p>Item Code : 250-016-242 Part Name : LIN-X450A</p> <ul style="list-style-type: none"> Material: Steel Finish: Nickel 	4	End Cap for Connecting Bar	 <p>Item Code : 250-016-260 Part Name : LIN-X45C</p> <ul style="list-style-type: none"> Material: Polyacetal (POM) Color: Grey

Mounting Plate

Necessary Parts

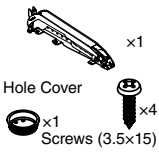
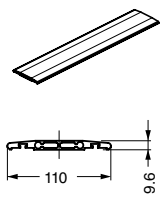
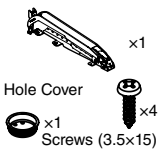
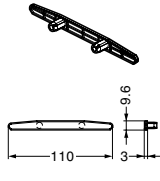
Same qty as hinge is necessary.

Item Code	Part Name	Dimensions	Description
160-070-041	Mounting Plate		<ul style="list-style-type: none"> Material: Steel Finish: Nickel <p>Same quantity with hinge is necessary.</p>
230-P4W-32T			<ul style="list-style-type: none"> Material: Steel Finish: Nickel <p>Same quantity with hinge is necessary.</p>
160-070-030	Raised Countersunk Head Tapping Screw 3.5x15		<ul style="list-style-type: none"> Material: Steel Finish: Nickel <p>x3 per mounting plate</p>
TAP3515NI			

LIN-X600 Individual Parts for Tall/Heavy Door


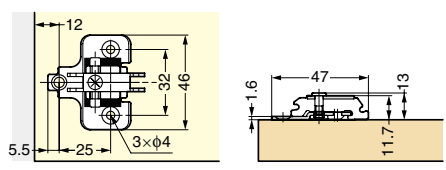

Parts Set (Per Door)		Necessary Parts Please refer to parts included in each set.					
Item Code	Item Name	Door Height	Door Weight	Parts Included			
				Hinge Set (With Damper) Item Name : LIN-X600ACD	Hinge Set (Without Damper) Item Name : LIN-X600A	Connecting Bar Item Name : LIN-X60-Lxxx	End Cap For Connecting Bar Item Name : LIN-X60C
250-017-068	LIN-X600S-1212	901-1200 mm	Less than 12 kg	2 sets	-	840 mm x 1 pc	2 pcs
250-017-069	LIN-X600S-1216		12.1-16 kg	3 sets	-		2 pcs
250-017-071	LIN-X600S-1516	1201-1500 mm	Less than 16 kg	3 sets	-	1140 mm x 1 pc	2 pcs
250-017-072	LIN-X600S-1520		16.1-20 kg	3 sets	1 set		2 pcs
250-017-074	LIN-X600S-1816	1501-1800 mm	Less than 16 kg	3 sets	-	1440 mm x 1 pc	2 pcs
250-017-075	LIN-X600S-1820		16.1 kg-20 kg	3 sets	1 set		2 pcs
250-017-493	LIN-X600S-1824		20.1-24 kg	3 sets	2 sets		2 pcs
250-017-077	LIN-X600S-2116	1801-2100 mm	Less than 16 kg	3 sets	-	1740 mm x 1 pc	2 pcs
250-017-078	LIN-X600S-2120		16.1 kg-20 kg	3 sets	1 set		2 pcs
250-017-079	LIN-X600S-2124		20.1-24 kg	3 sets	2 sets		2 pcs
250-017-082	LIN-X600S-2420	2101-2400 mm	Less than 20 kg	3 sets	1 set	2040 mm x 1 pc	2 pcs
250-017-083	LIN-X600S-2424		20.1-24 kg	3 sets	2 sets		2 pcs

Parts Included

No.	Part Name	Description	No.	Part Name	Description
1	Hinge Body with Damper 	Item Code : 250-016-962 Part Name : LIN-X600ACD • Material Steel • Finish Nickel	3	Connecting Bar 	Item Code : 250-016-964 Part Name : LIN-X60-L540 Item Code : 250-016-965 Part Name : LIN-X60-L840 Item Code : 250-016-966 Part Name : LIN-X60-L1140 Item Code : 250-016-967 Part Name : LIN-X60-L1440 Item Code : 250-016-968 Part Name : LIN-X60-L1740 Item Code : 250-016-969 Part Name : LIN-X60-L2040 • Material Aluminium Alloy • Finish Anodized
2	Hinge Body without Damper 	Item Code : 250-016-963 Part Name : LIN-X600A • Material Steel • Finish Nickel	4	End Cap for Connecting Bar 	Item Code : 250-016-970 Part Name : LIN-X60C • Material Polyacetal (POM) • Colour Grey

WARDROBE & CABINET DOOR HARDWARE

MONOFLAT LIN-X HINGE

Mounting Plate		Necessary Parts Same qty as hinge is necessary.	
Item Code	Part Name	Dimensions	Description
160-070-041	Mounting Plate 		• Material Steel • Finish Nickel *Same quantity with hinge is necessary.
160-070-030	Raised Countersunk Head Tapping Screw 3.5x15 	x3 per mounting plate	• Material Steel • Finish Nickel