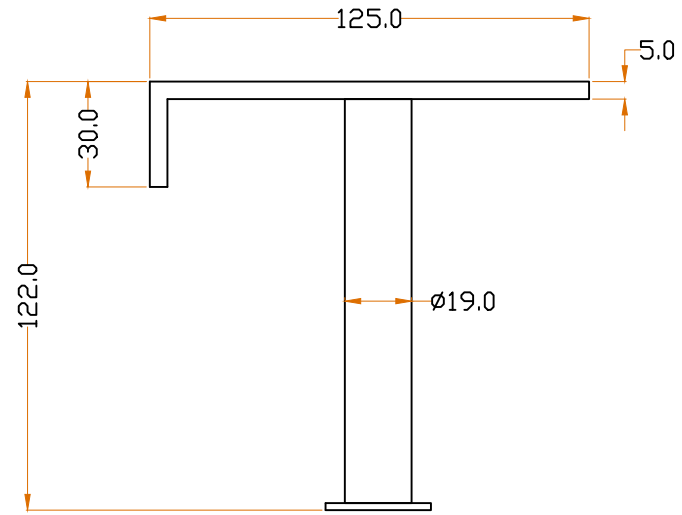
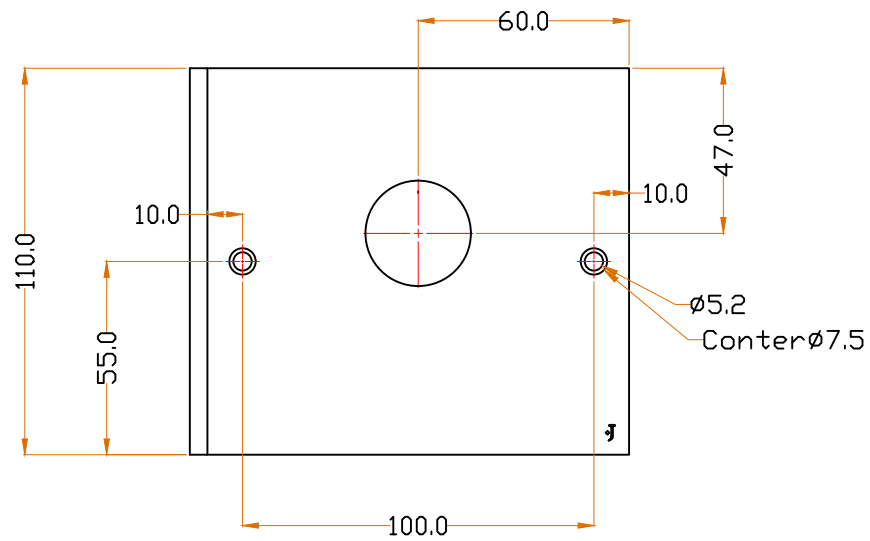


JOLIE®
A timeless touch.



TOP VIEW



FRONT VIEW

MATERIAL	FINISH	SCALE	DESCRIPTION
BRASS	GA ,AB OS ,BK	NTS	Rieu Toilet Paper Holder
PROJN.	UNIT	DATE	ITEM CODE
	MM	23.01.23	J-2260