



DECEUNINCK-DEFORCE

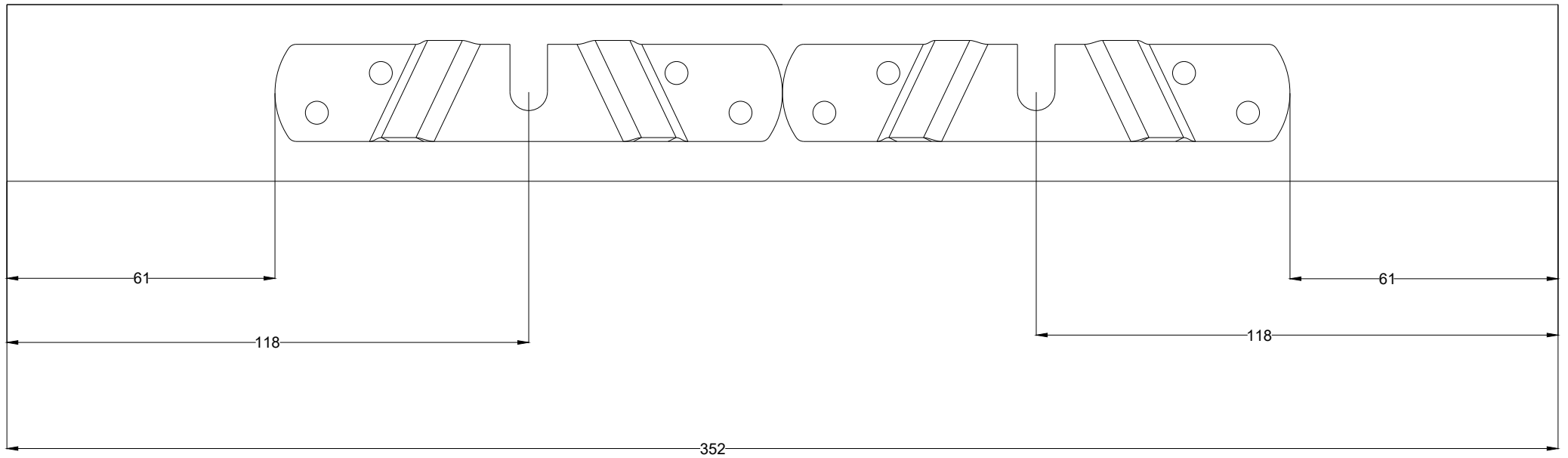
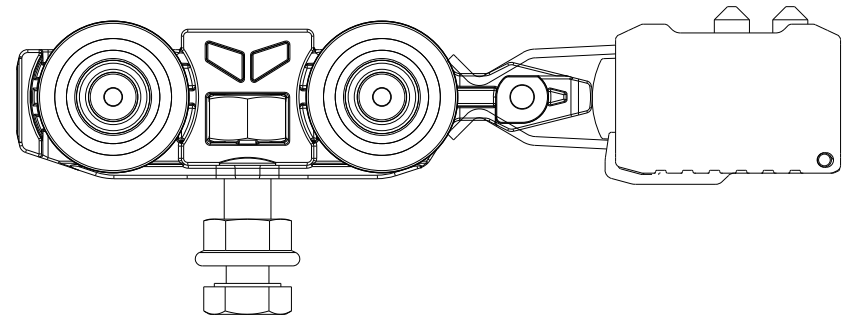
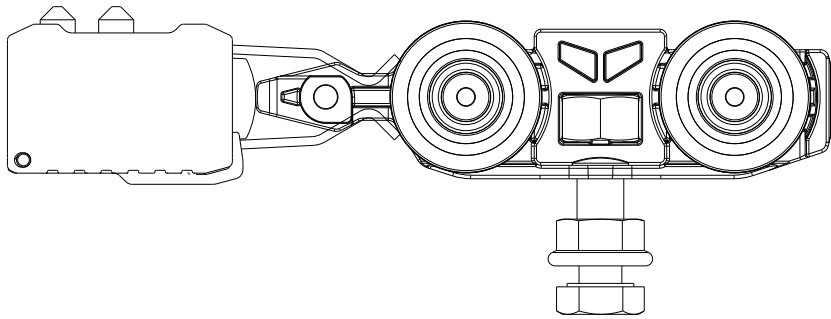
**XPERTA**

**ENKELE DEUR - STANDAARD**

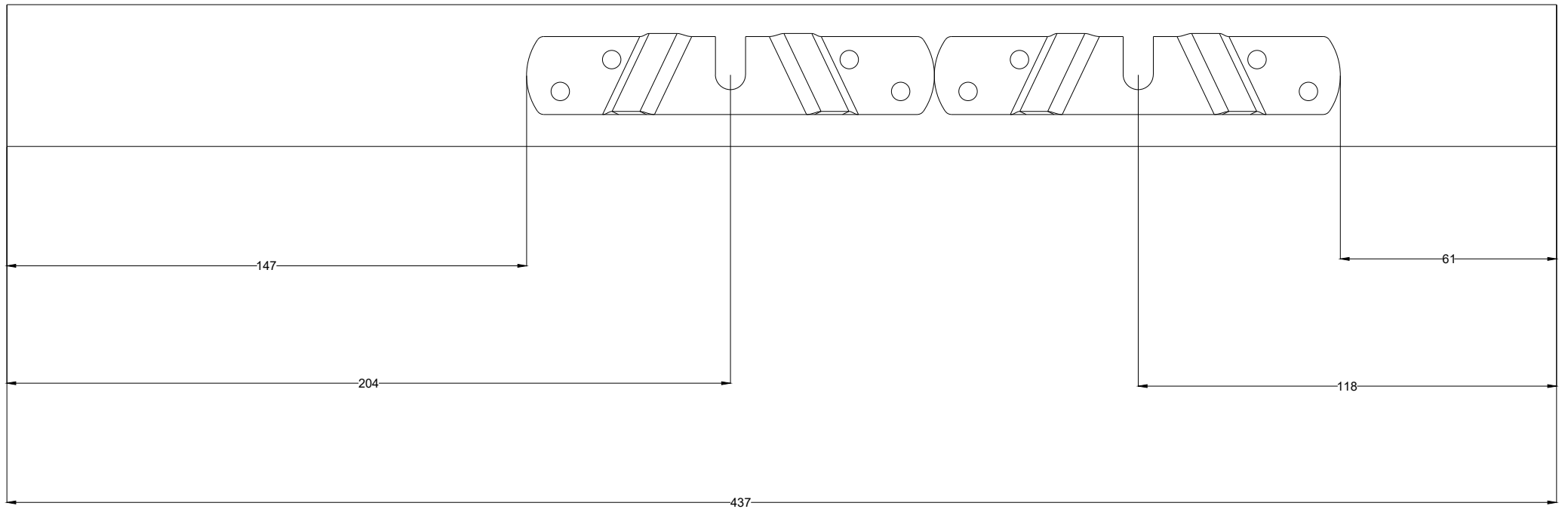
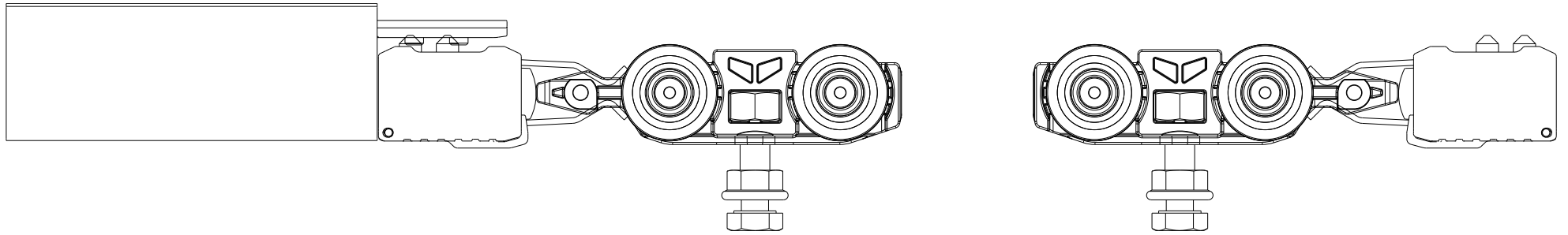
**INHOUD**

1. Stopper	2
2. Stopper + ESSI	3
3. Softclose	4
4. Softclose + ESSI	5

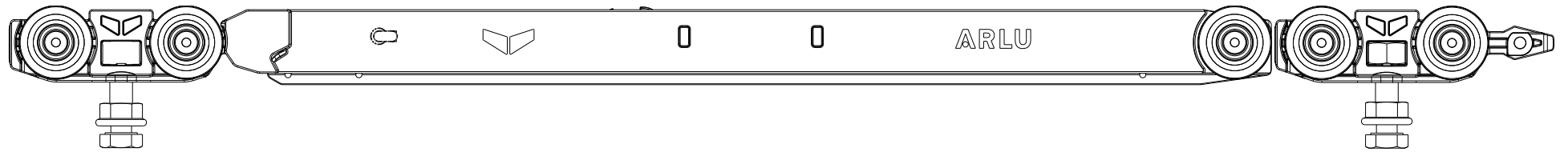
# 1. STOPPER



## 2. STOPPER + ESSI



### 3. SOFTCLOSE



## 4. SOFTCLOSE + ESSI

