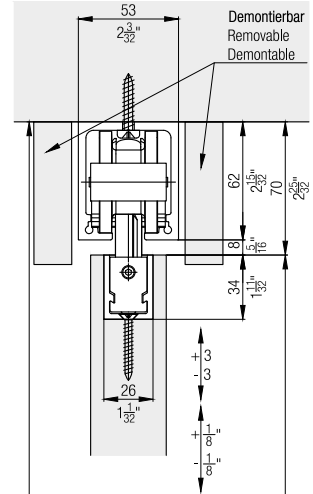
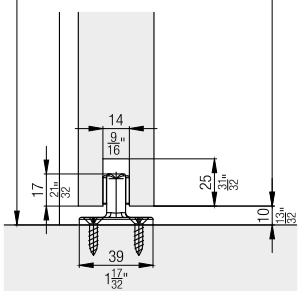
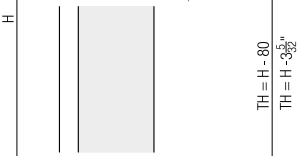


TH = H - 80
TH = H - 3 5/32"



TH = H - 80
TH = H - 3 5/32"

