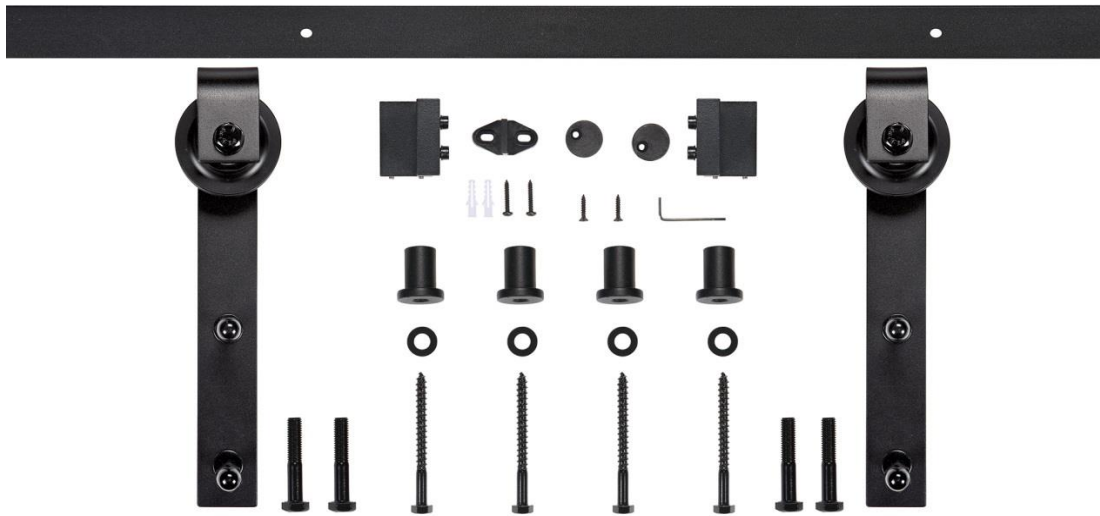
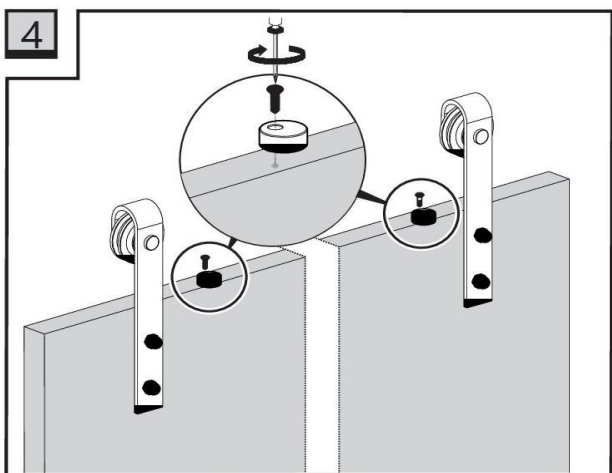
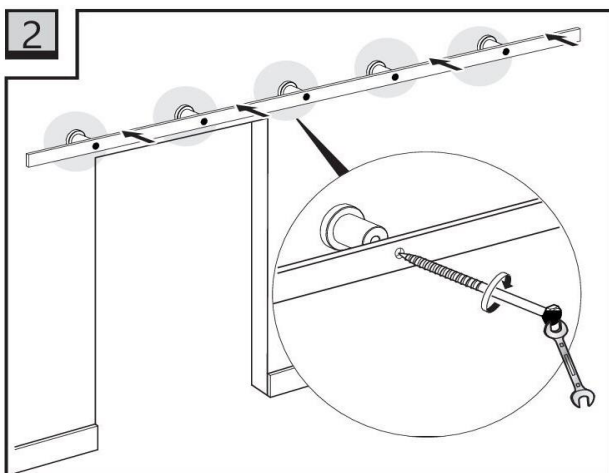
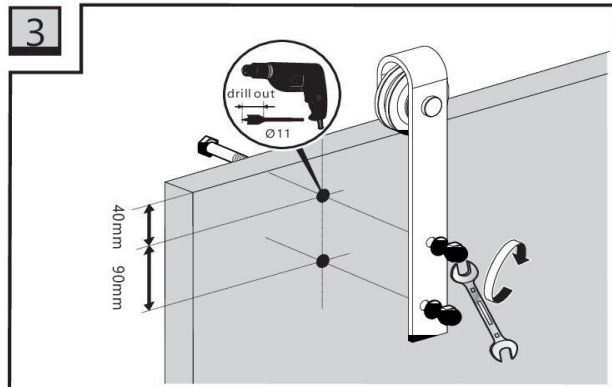
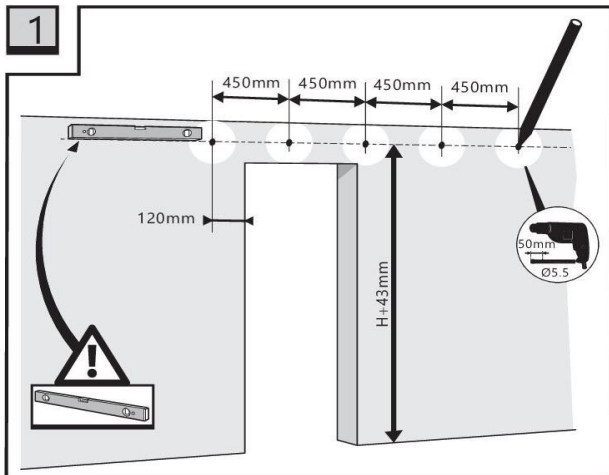
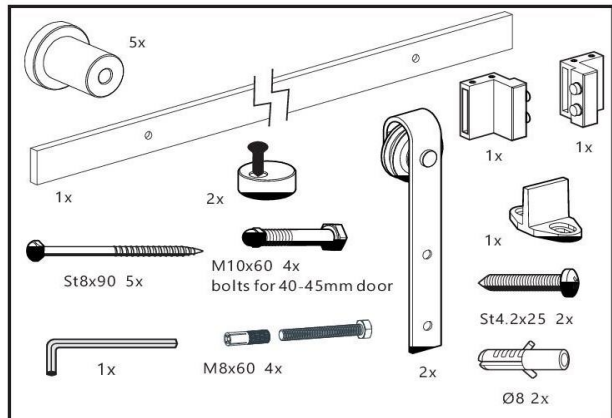
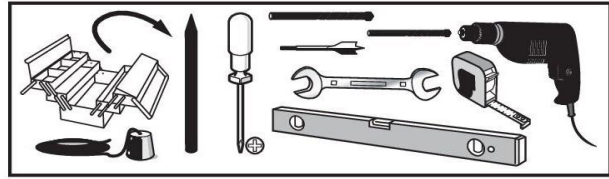
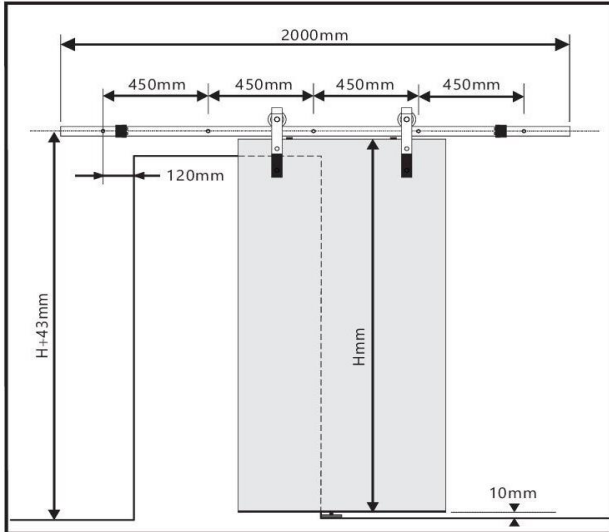


CRIDEA



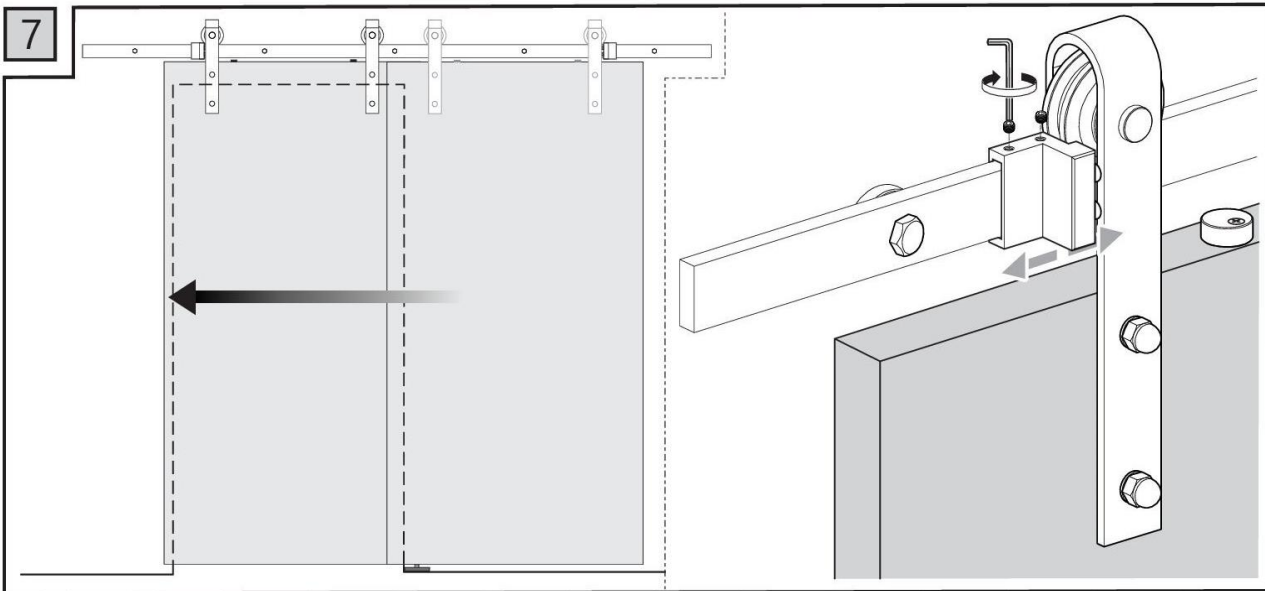
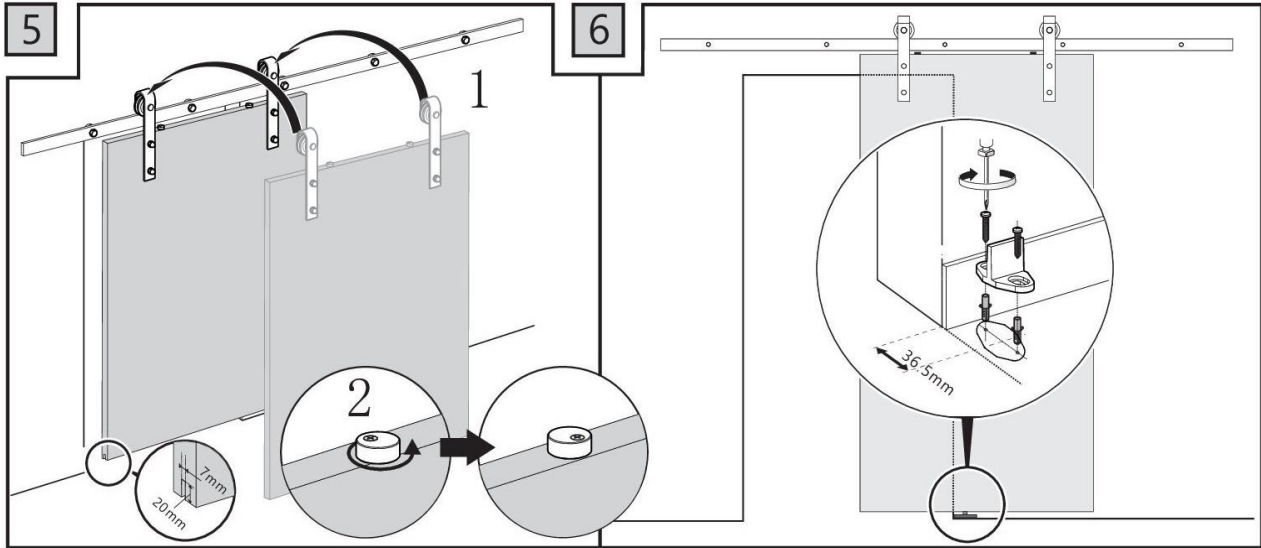
CRIDEA

2000mm rail



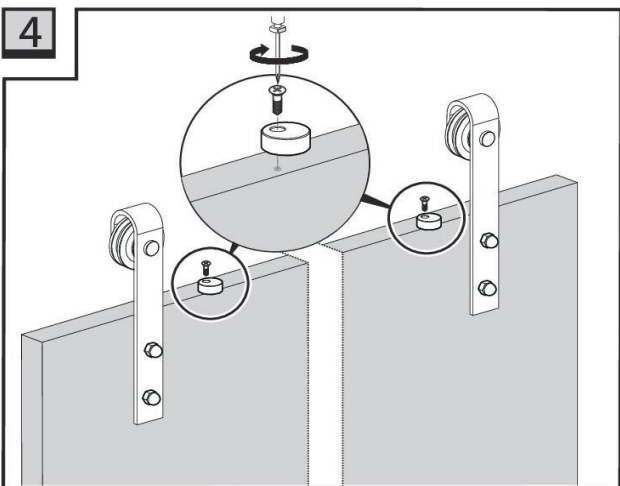
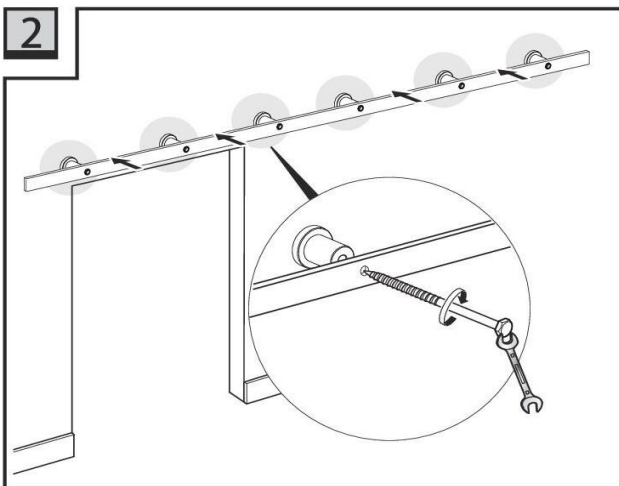
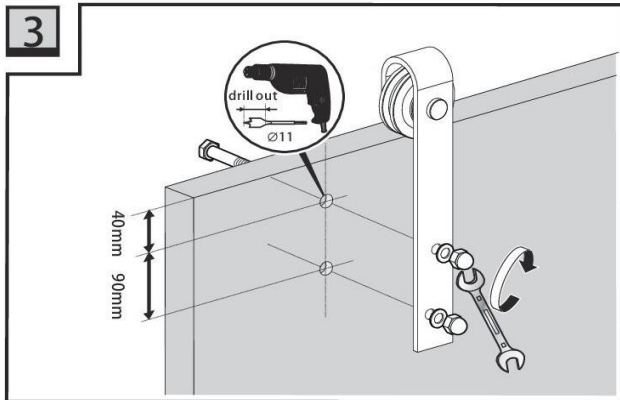
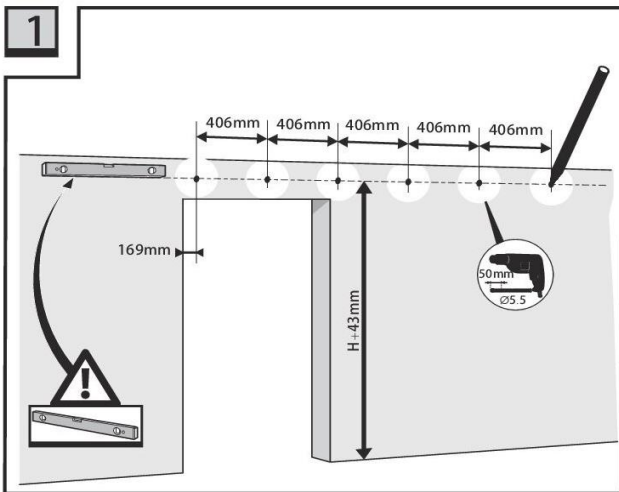
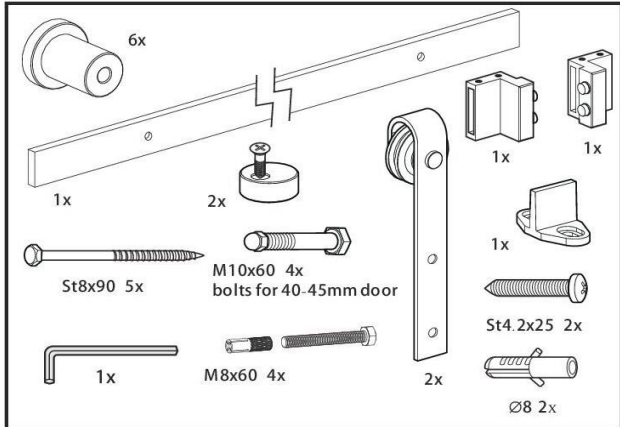
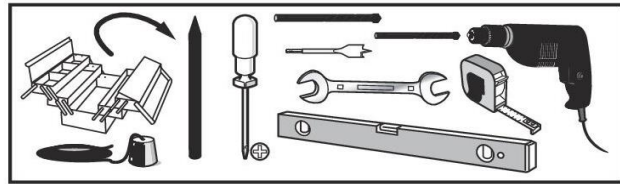
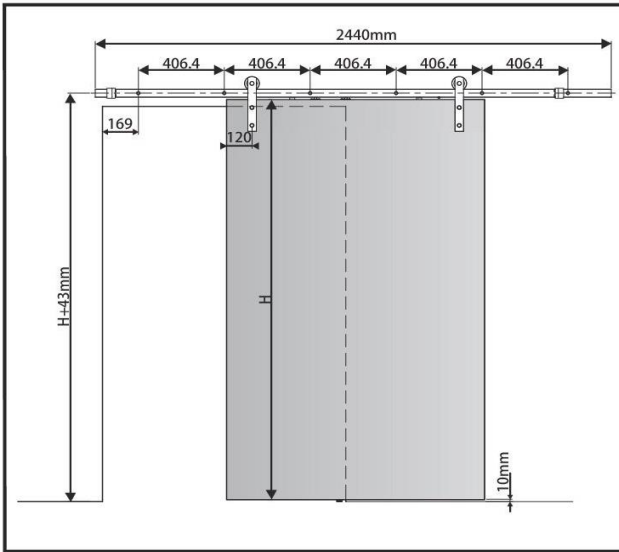
CRIDEA

2000mm rail



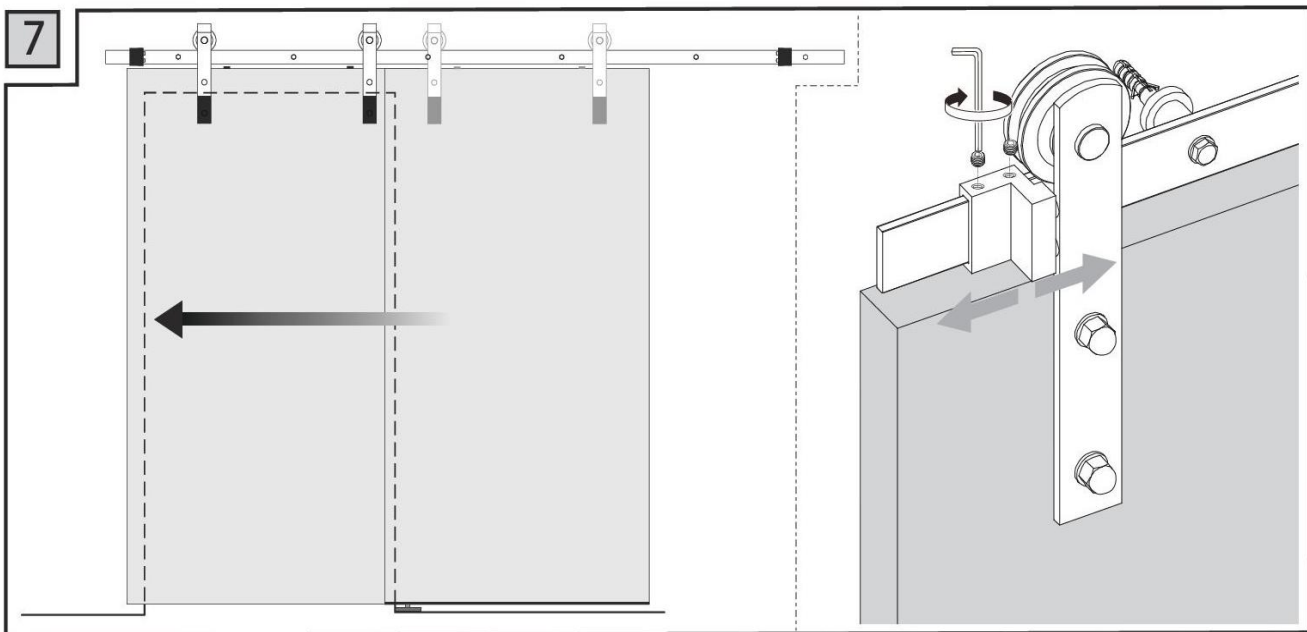
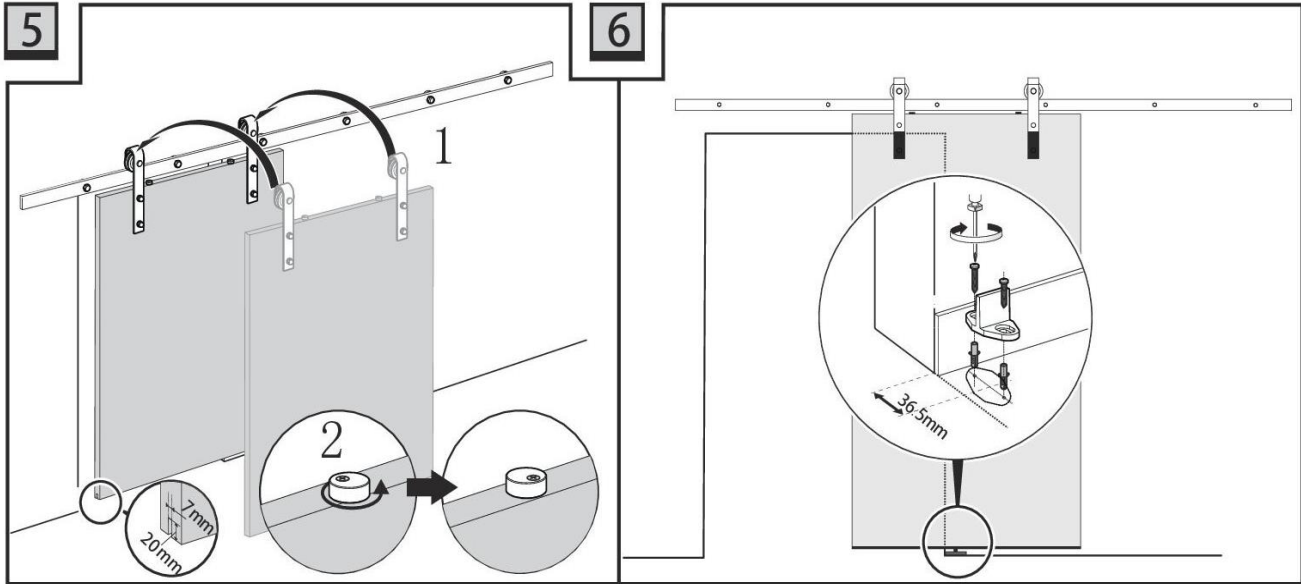
CRIDEA

2440mm rail



CRIDEA

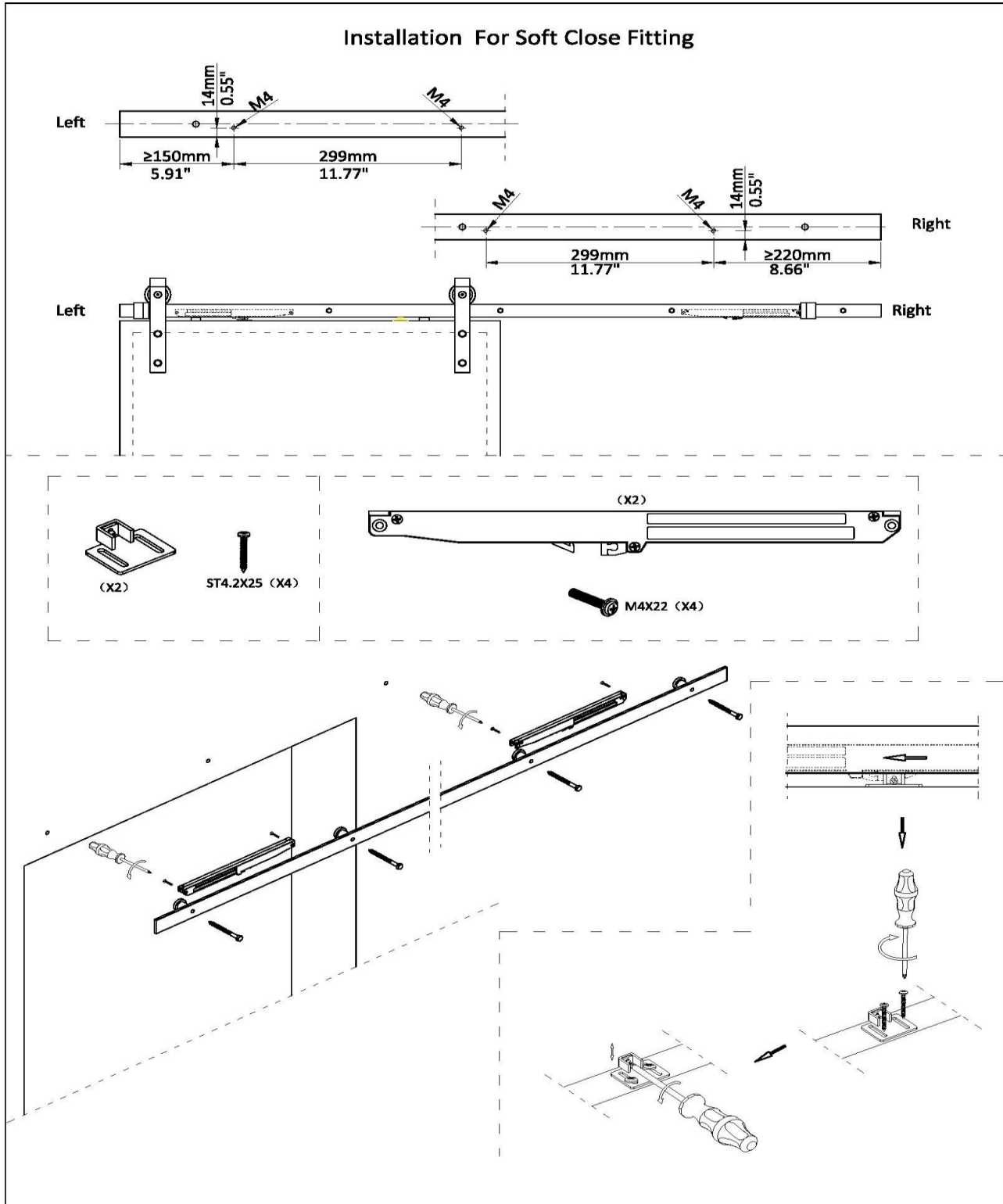
2440mm rail



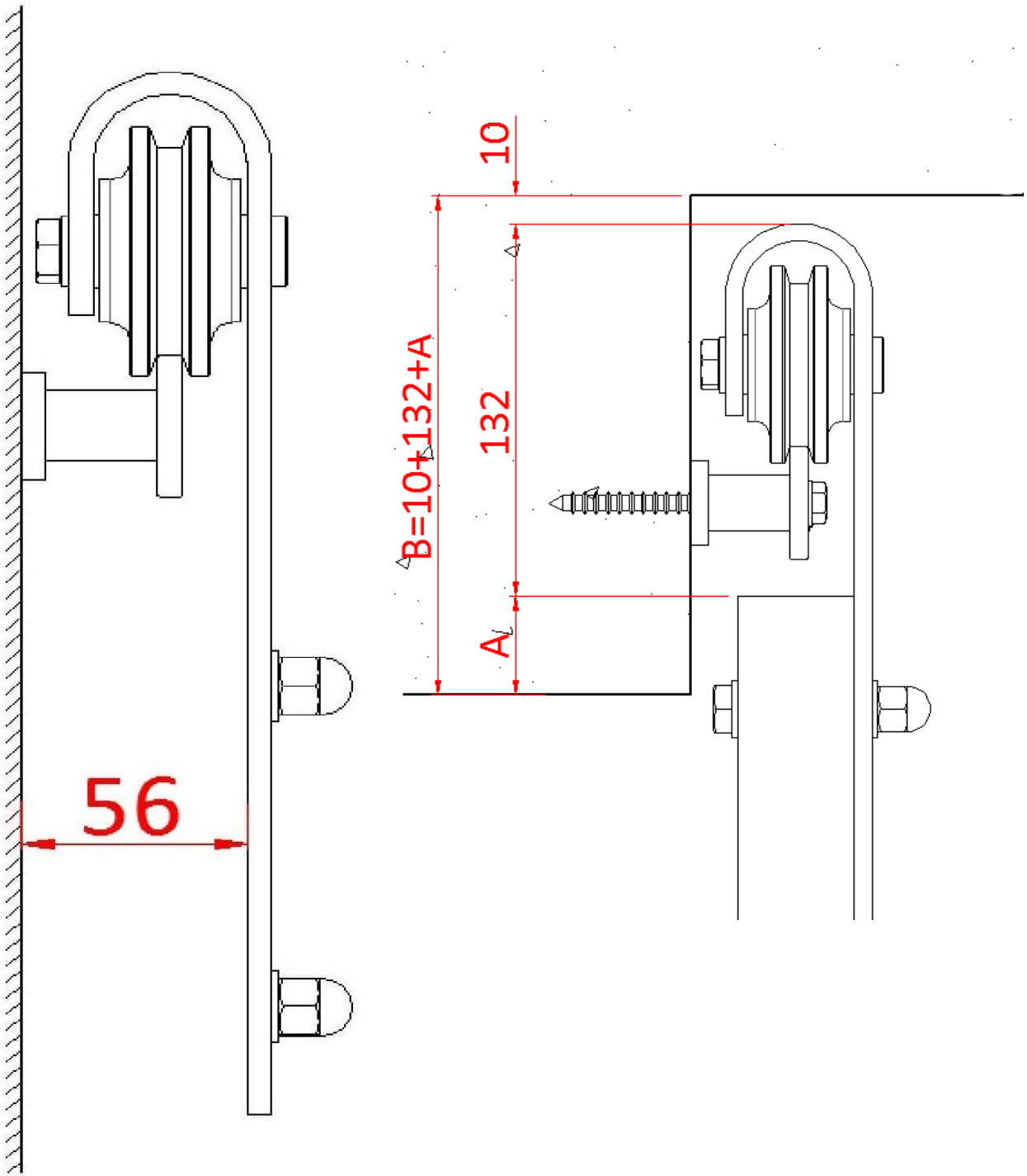
CRIDEA

If you don't want to drill holes in the rail, use the "Installation kit for Soft Close"

(See page 8)

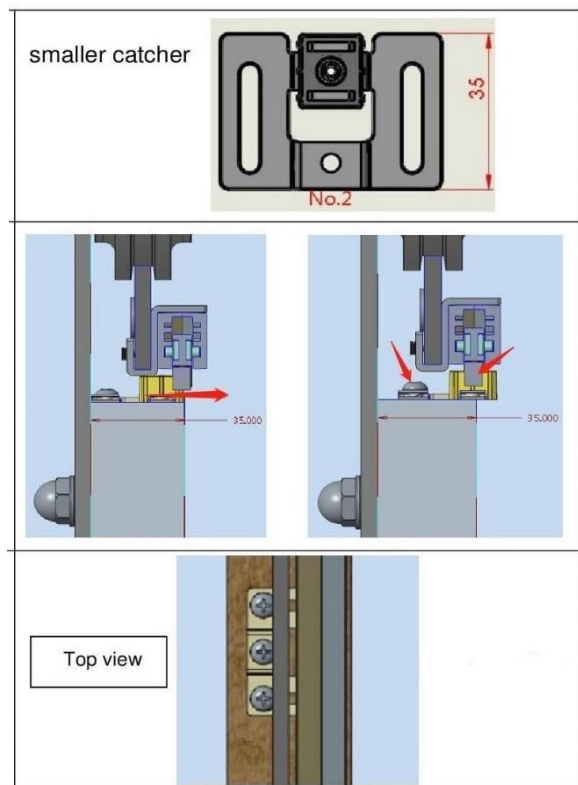
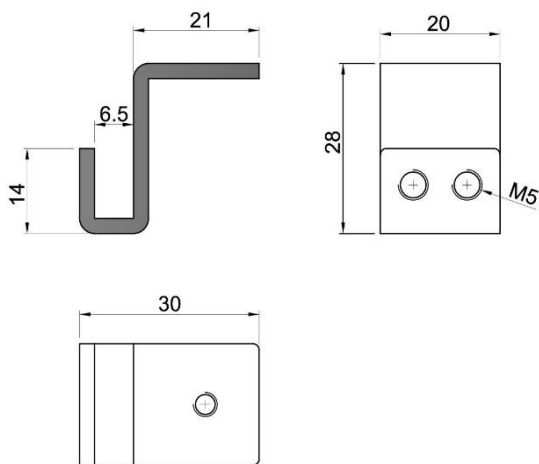
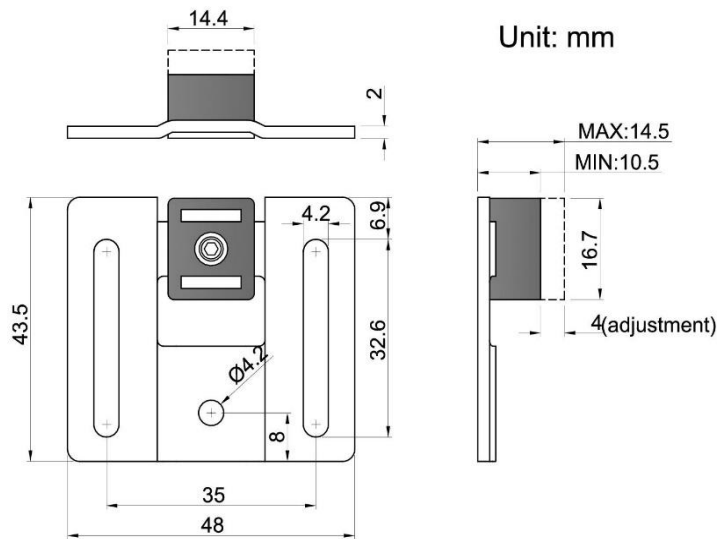


CRIDEA



CRIDEA

"Installation kit for Soft Close"



VLIEGVELD 45, 8560 WEVELGEM
 TEL (056) 37 03 35 FAX (056) 37 12 49

info@finterio.com

www.finterio.com