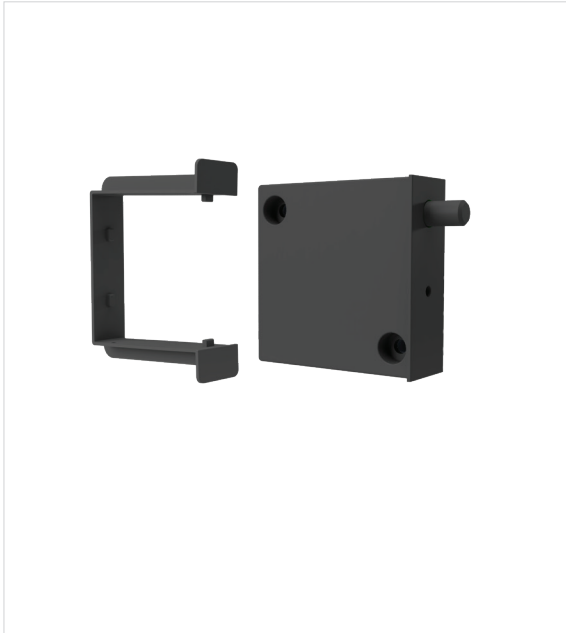
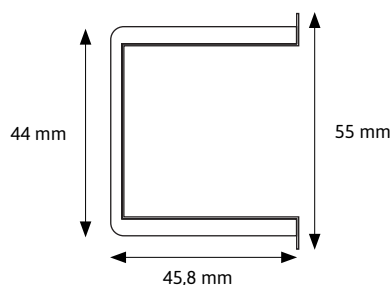
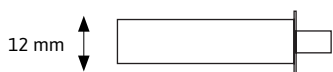
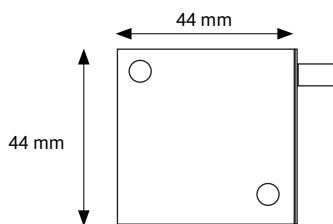
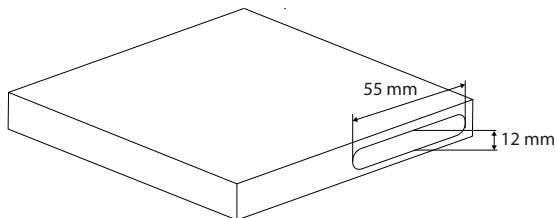


## SL-PPDOOR01K1

Sensor for hinged doors and drawers



### TECHNICAL DRAWING



### PRODUCT FEATURES

- ▶ Sensor for hinged doors and drawers
- ▶ For milling in, screwing on or gluing on.
- ▶ No battery and no wiring necessary!
- ▶ Battery-free device without external power supply.
- ▶ Transmission energy is generated from mechanical energy when the sensor contact point is actuated.
- ▶ Radio-based range up to 80 meters.
- ▶ Sensor can be connected to any number of Push Power Receivers.
- ▶ Functions: ON - OFF for MONO and DUO receivers
- ▶ Can be combined with several sensors or switches
- ▶ Available in white (K60) and black (K1) versions

### ASSEMBLY

- ▶ Milling in, screwing on or gluing on Placing the sensor on the door fitting side is recommended
- ▶ When milling, please refer to the technical milling diagram!  
Milling depth: 46.5 mm  
Milling height: 12.0 mm  
Milling width: 55,0 mm

### DIMENSIONS

- ▶ Sensor incl. adapter (LxDxH): 55 x 46 x 12 mm
- ▶ Sensor without adapter (LxWxH): 44 x 44 x 12 mm

### TECHNICAL FEATURES

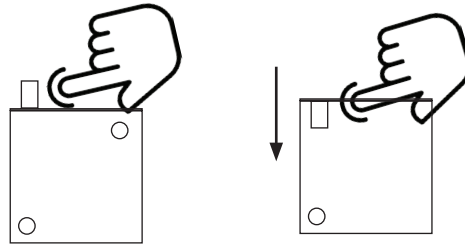
- ▶ Transfer protocol: RF 433 mhz
- ▶ Range (without mesh): 30 meters (indoors)
- ▶ IP Rating: IP20

### SAFETY AND INSTALLATION INSTRUCTIONS

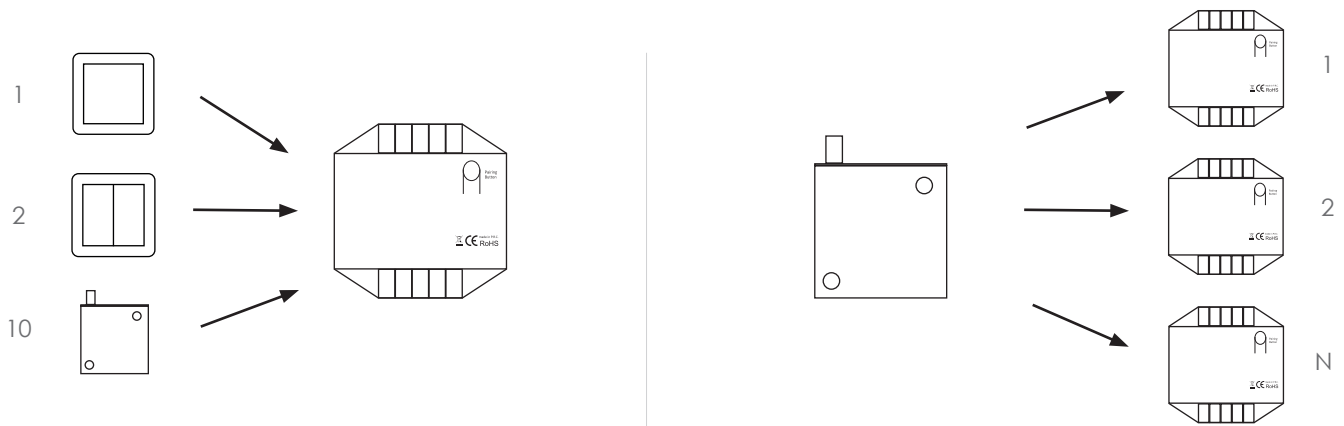
- ▶ This product is not a toy and is not suitable for children!
- ▶ The SIRO LED system is only suitable for indoor use. Unprotected outdoor use is not permitted. Contact with moisture must be avoided at all costs!

## GENERAL FUNCTIONS Single click:

Switching on or off



## POSSIBLE COMBINATIONS



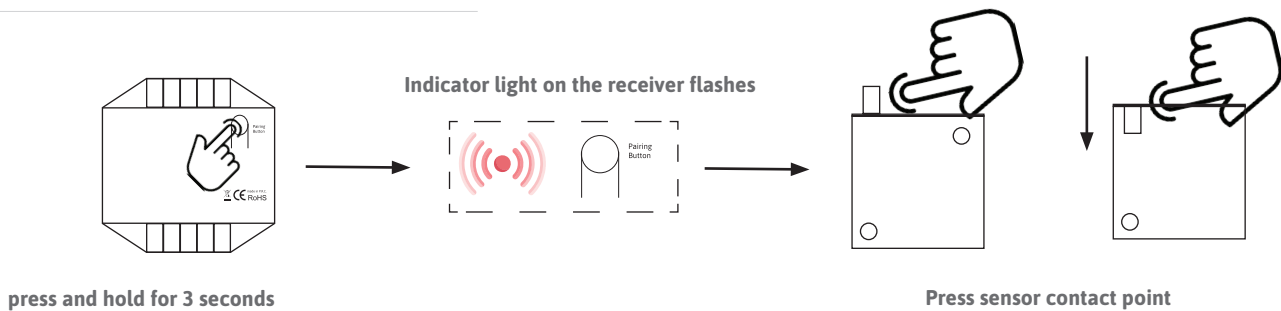
### More controls on one receiver

a maximum of 10 PushPower control units (sensors, push buttons, etc.) can be connected to one receiver.

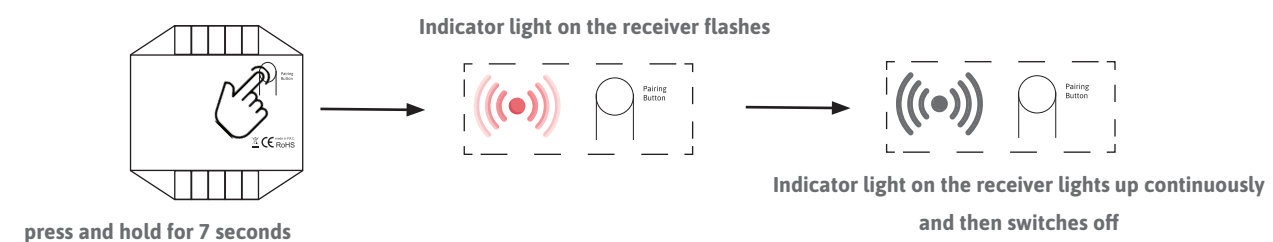
### One control on several receivers

1 PushPower control unit can control any number of receivers to control.

## CONNECTING THE CONTROL UNIT & RECEIVER



## RESET RECEIVER



**RoHS** 

Must not be disposed of with household waste.  
Must not be disposed of in household waste.

SIRO fittings and metal goods factory  
Spielfeldstrasse 12  
4452 Ternberg, Austria

Tel . +43 (0)7256.6020.0  
Fax . +43 (0)7256.8932  
E-mail office@siro.at  
Web . www.siro.at

© 2023 All rights reserved. All rights reserved