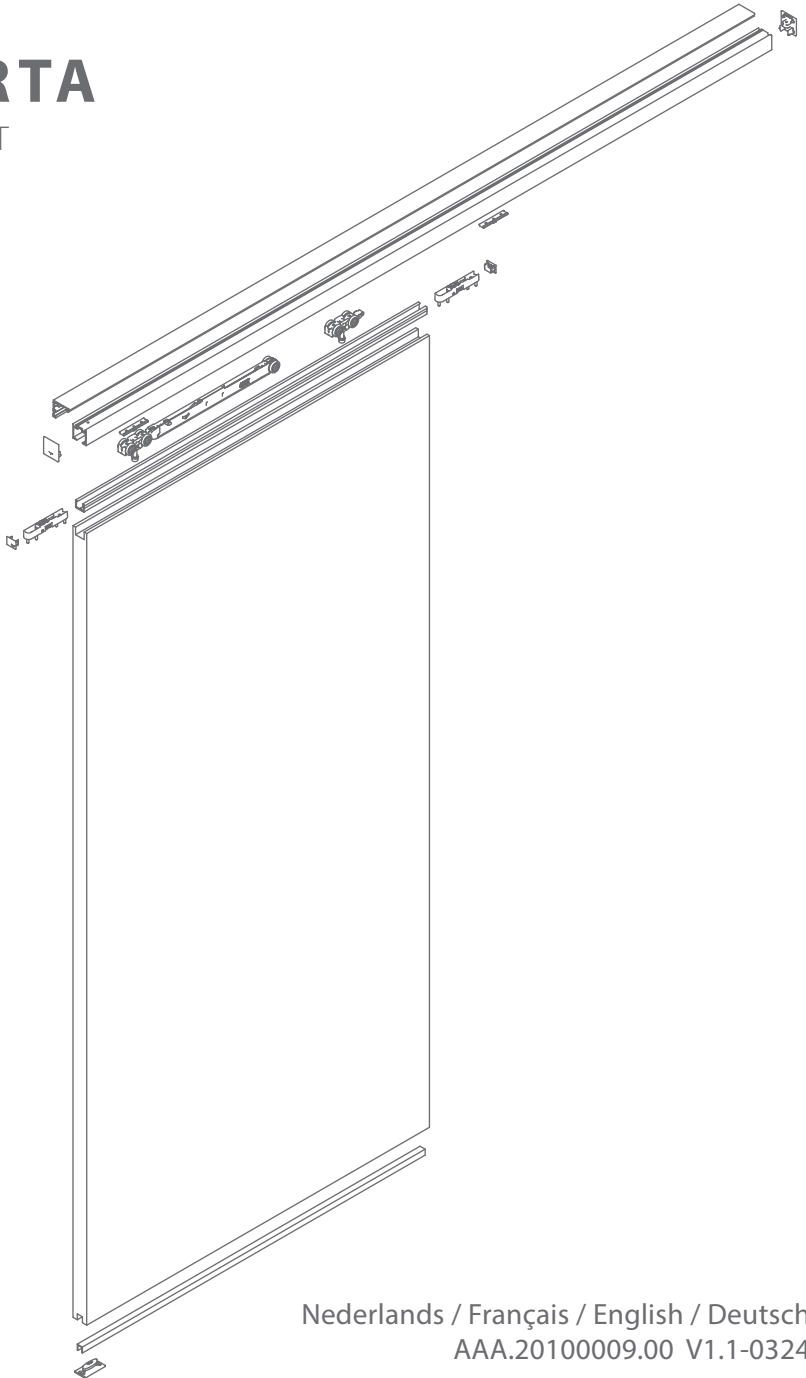


# XPERTA

COMPACT

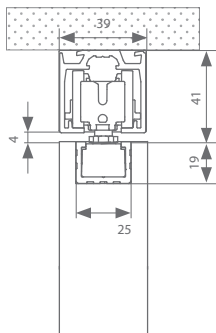


VIDEO



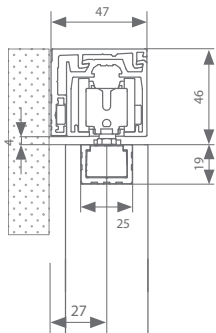
DOORSNEDE / VUE EN COUPE / VERTICAL CROSS SECTION /  
VERTIKALSCHNITT

**1A**

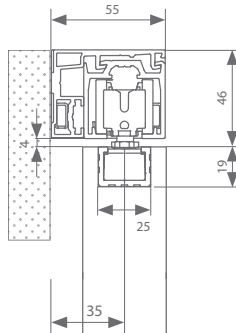


**1B**

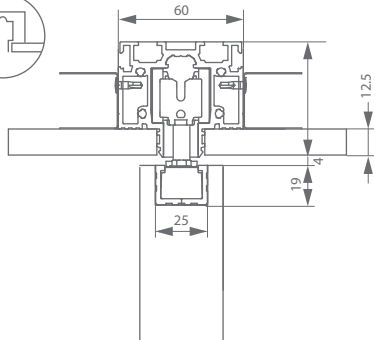
of / ou / or / oder



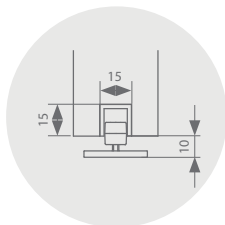
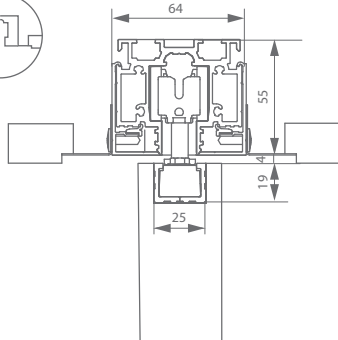
**1B**



**1C**

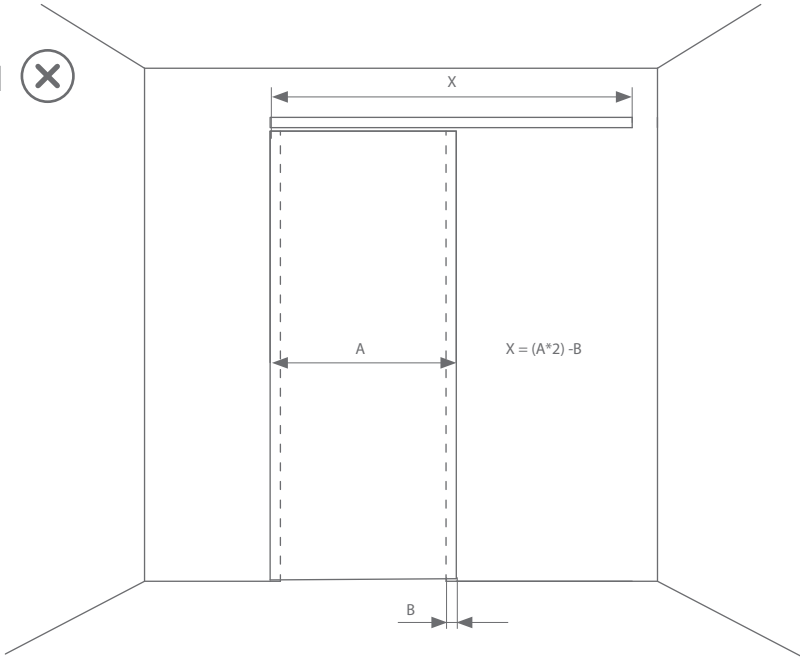


**1D**

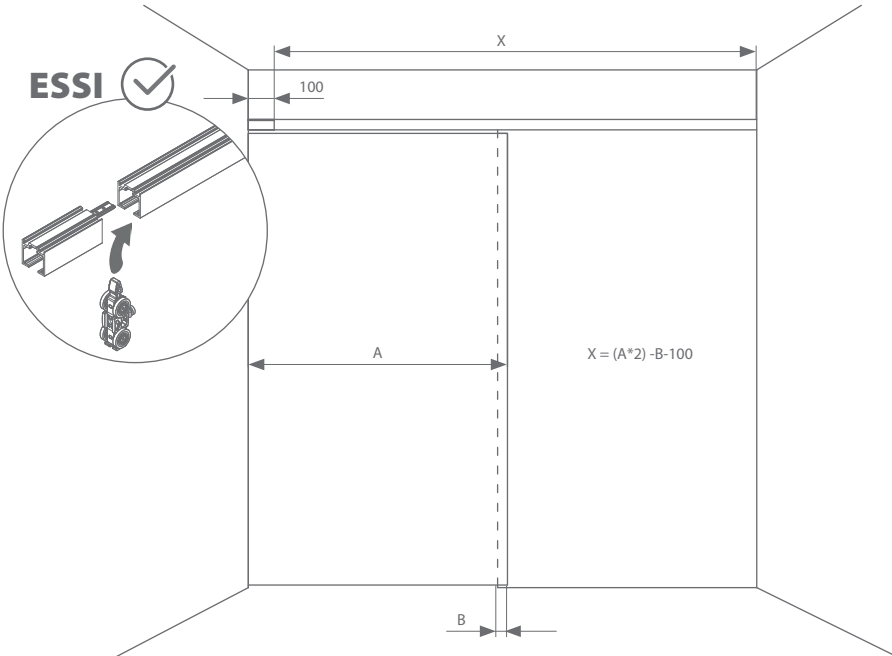


ESSI-MODULE

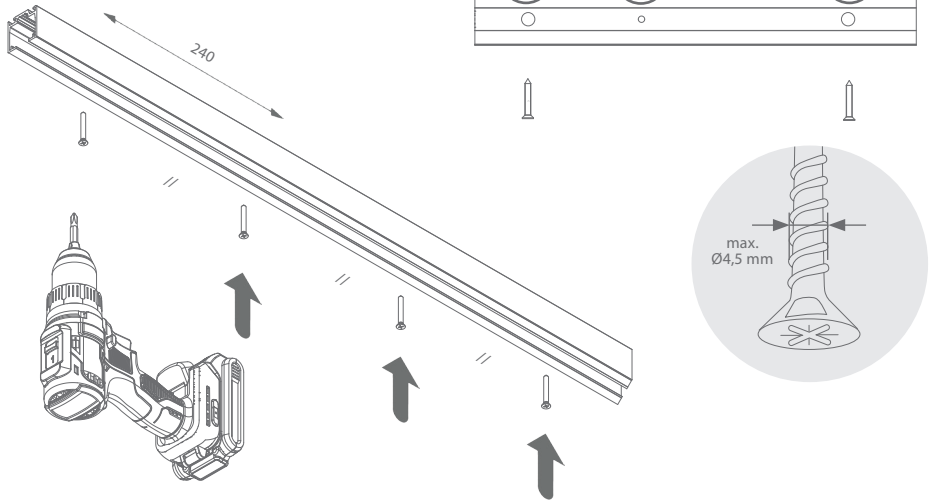
ESSI (X)



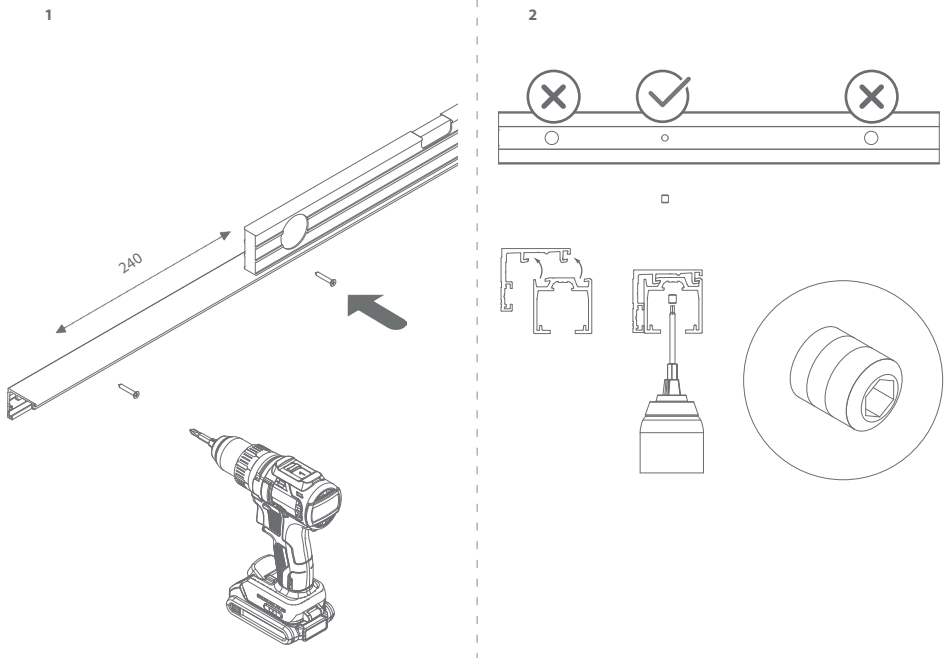
ESSI (✓)



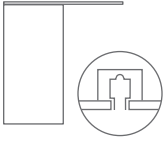
# 1A. PLAFOND / CEILING / DECKE



# 1B. MUUR / MUR / WALL / WAND



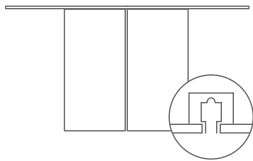
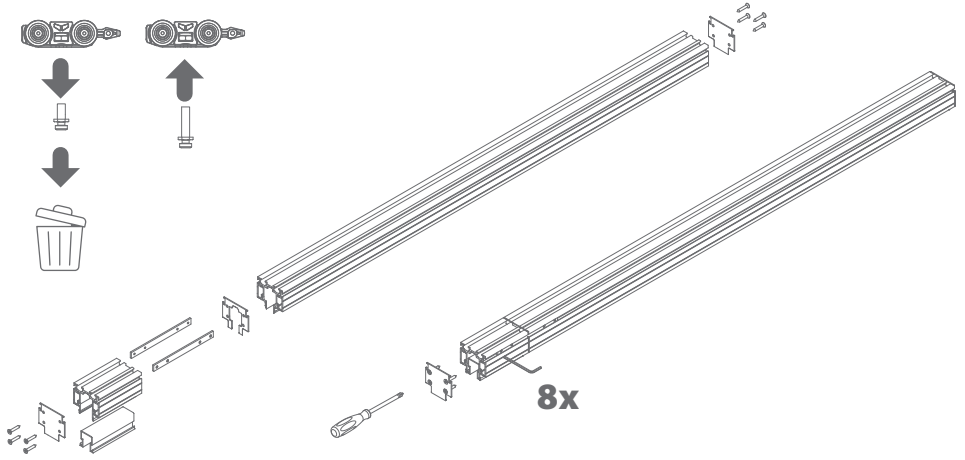
# 1C.



2x



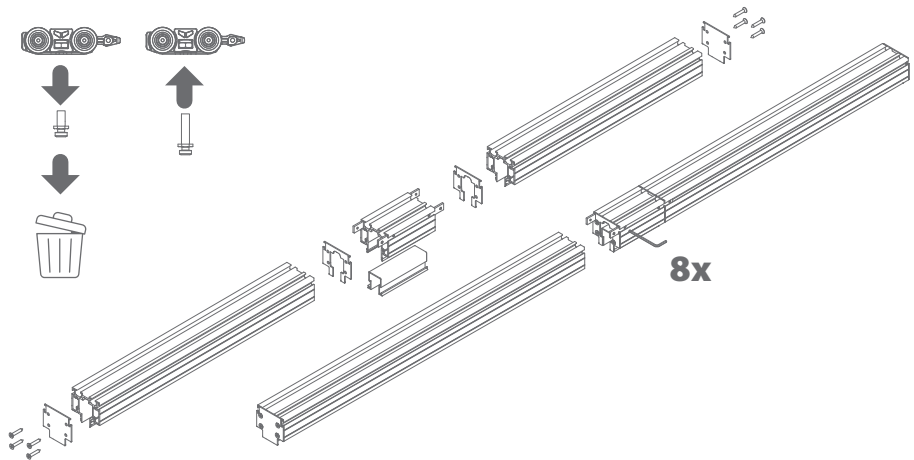
1x



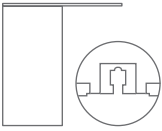
2x



2x

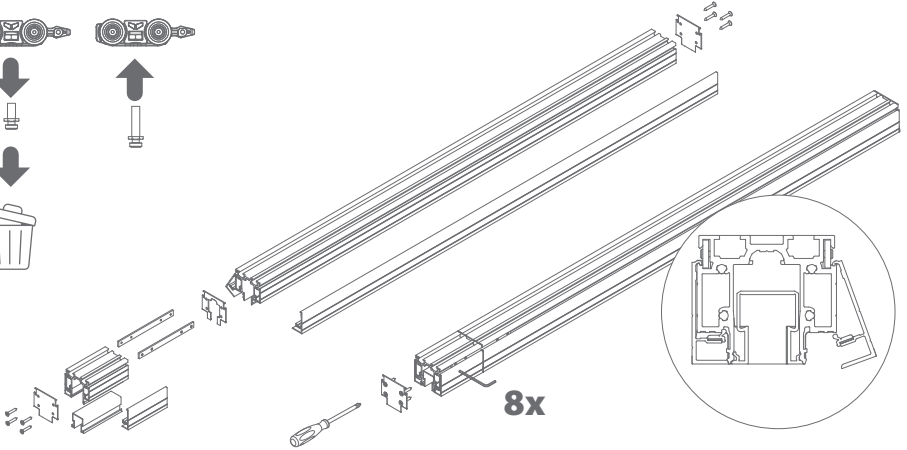
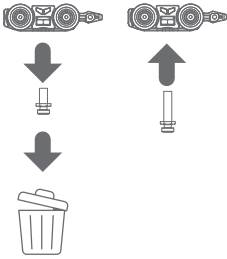


# 1D.

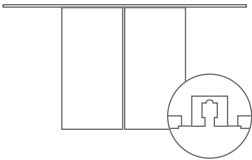


2x

1x

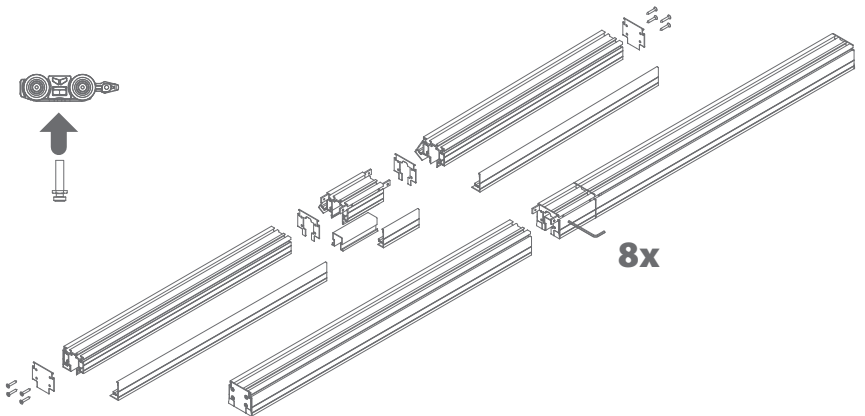
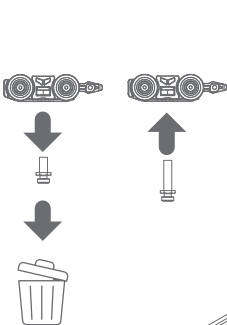


8x



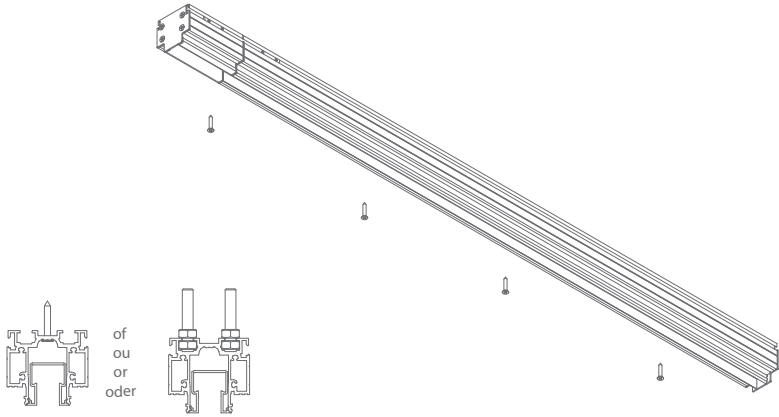
2x

2x

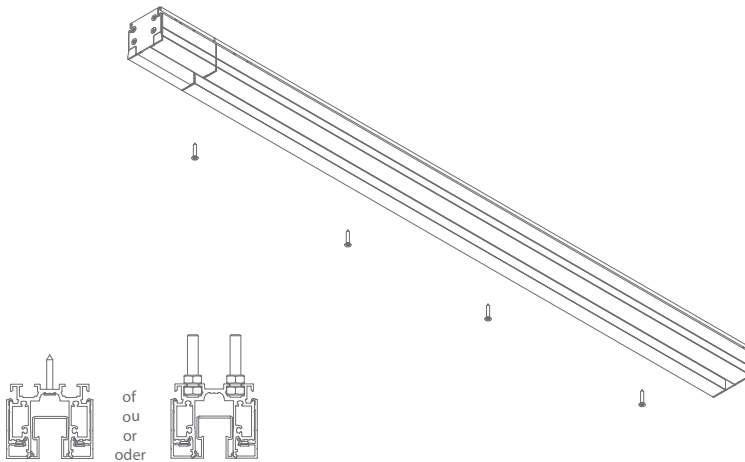


8x

# 1C.

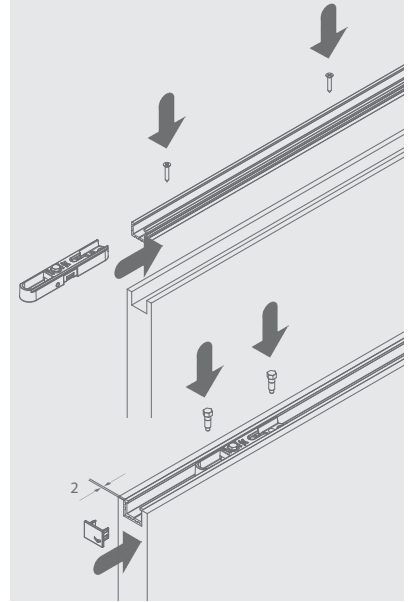
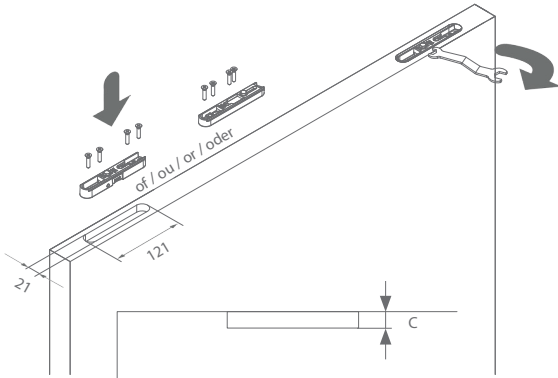


# 1D.

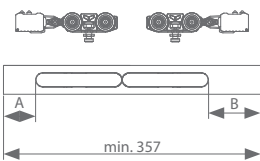


## 2.

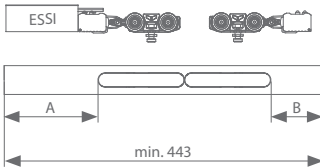
## ALTERNATIEF / ALTERNATIVE



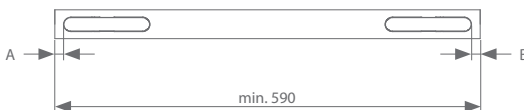
2x  
stopper/  
arrêt



2x  
stopper/  
arrêt +  
ESSI®



softclose



softclose +  
ESSI®



	A (in mm)	B (in mm)	C (in mm)
	45	73	15
	49	69	12

	45	73	15
	49	69	12

	A (in mm)	B (in mm)	C (in mm)
	130	73	15
	134	69	12

	130	73	15
	134	69	12

	A (in mm)	B (in mm)	C (in mm)
	12	12	15
	12	12	12

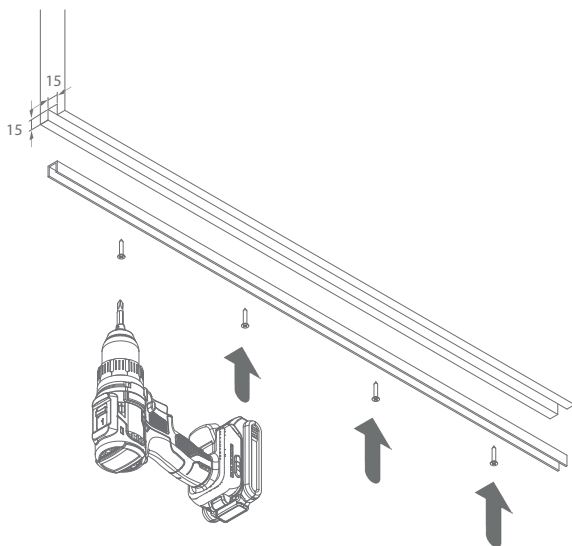
	12	12	15
	12	12	12

	A (in mm)	B (in mm)	C (in mm)
	68	32	15
	72	26	12

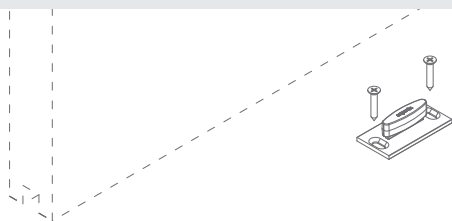
	68	32	15
	72	26	12



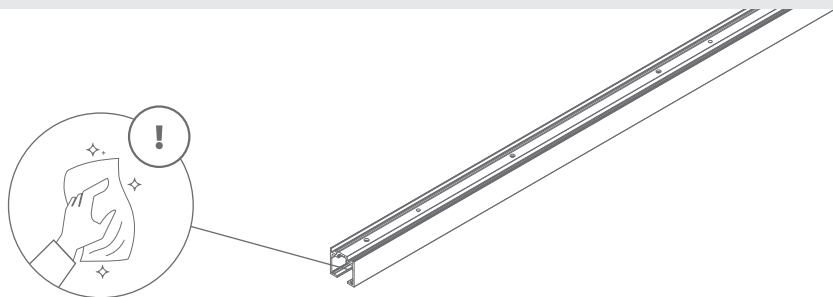
3.



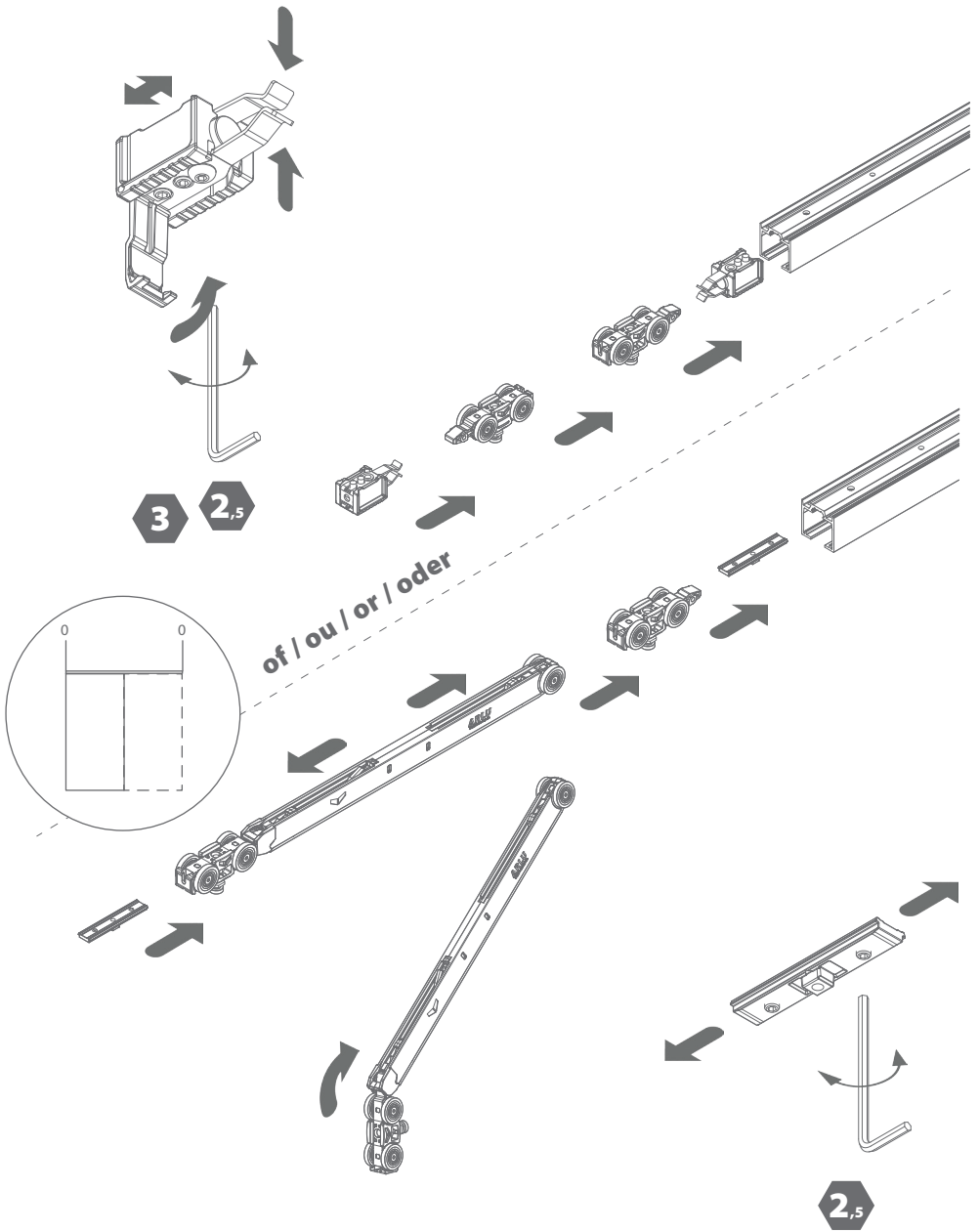
4.



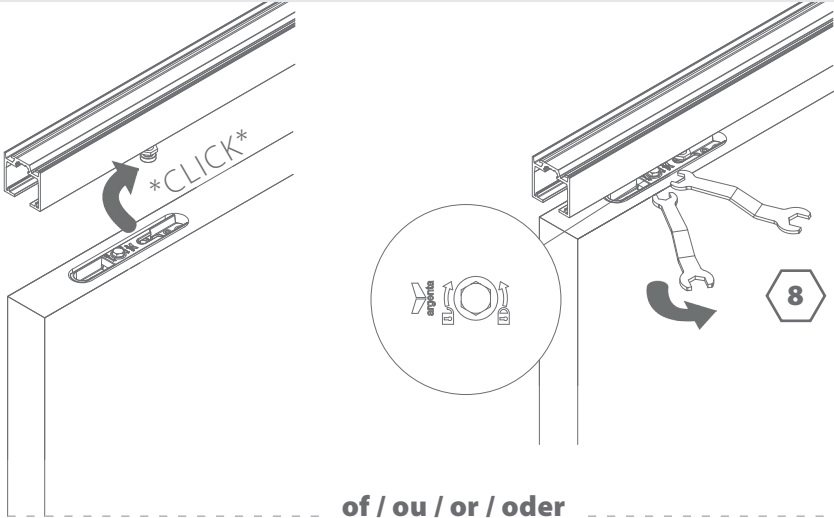
5.



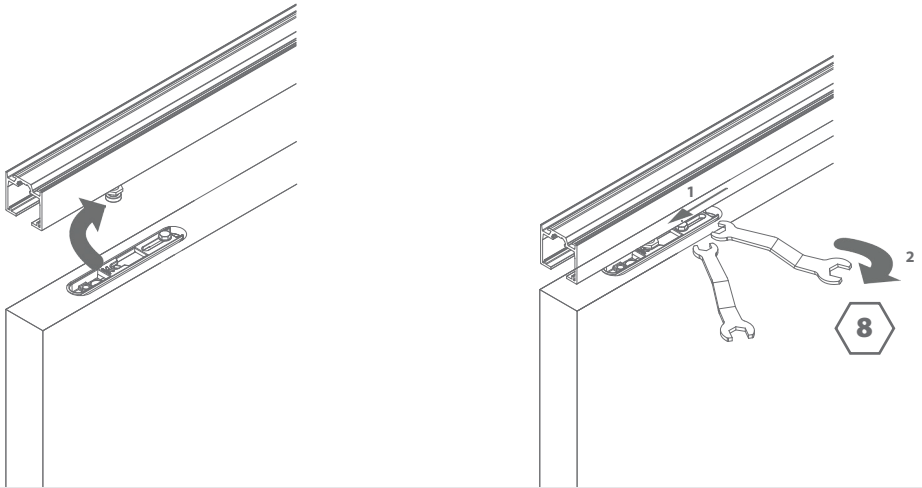
# 6.



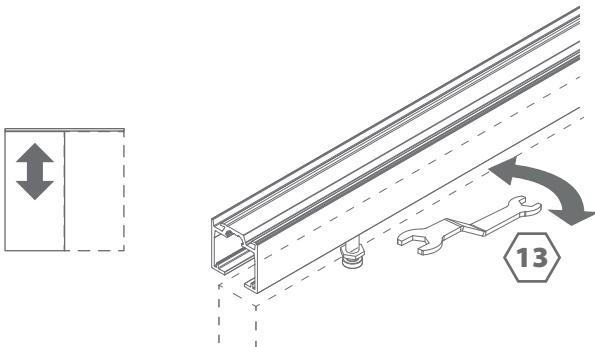
7.



of / ou / or / oder



8.



9.

