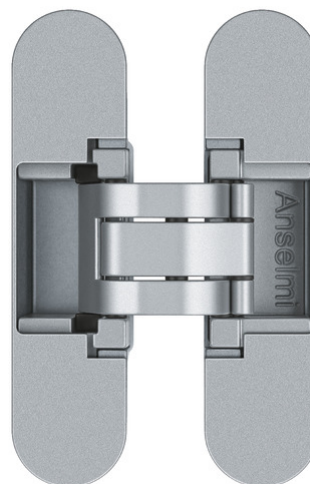


ANSELMINI - AN 172 3D

AN 172 3D

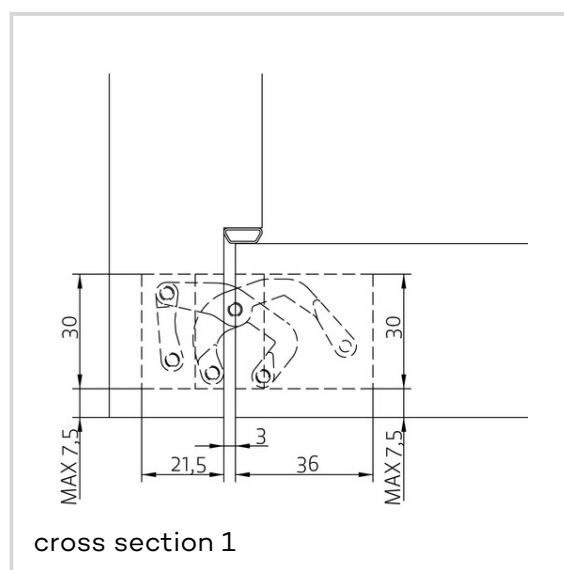
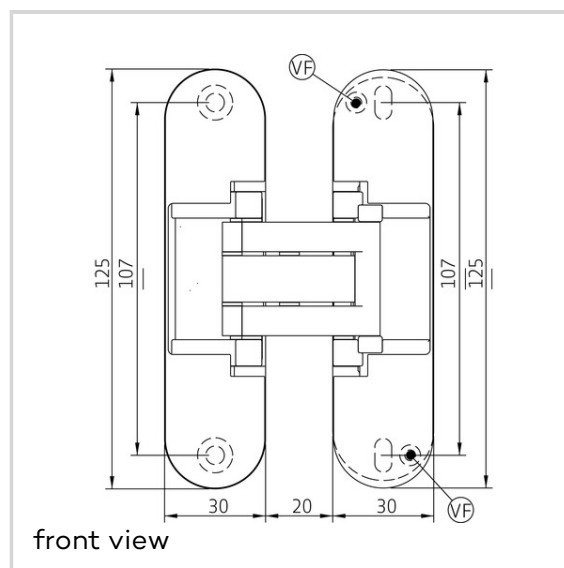
for unrebated 38-45 mm residential doors with 21 mm reduced hinge frame part up to 60 kg and claddings up to 4 mm

**Product features**

- reduced hinge frame part 21 mm
- door thickness 38-45 mm
- possible installation of claddings up to 4 mm
- completely concealed hinge system
- for timber, steel or aluminium frames
- for unrebated residential doors
- 3D adjustment (side +/- 1,5 mm, height +/- 2,5 mm, compression +/- 1,0 mm)
- material zamak

Technical data

Property	Value
Load capacity	60,0 kg
Overall length	125,0 mm
Width (door part)	30,0 mm
Width (frame part)	30,0 mm
Cutter diameter	16,0 mm
Collar ring diameter	27,0 mm
Opening angle	+ 180°



ANSELMI - AN 172 3D
Notes

The load capacity mentioned above refers to the use of 2 hinges per door leaf (900 x 2100 mm).

Suggested screws: Frame side: Countersunk head screws DIN 7505 A, Diameter 4,5 mm Door side: Pan head screws DIN 7505 B, Diameter 4,5 mm

If necessary, it is possible to lock the vertical adjustment of the hinge by means of a fixing screw (VF).

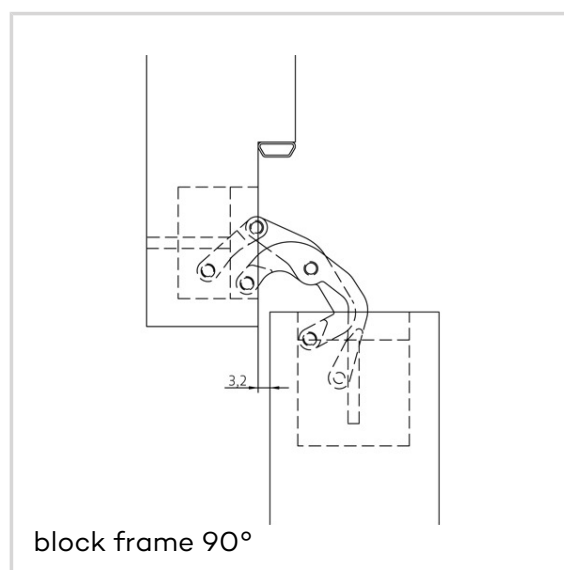
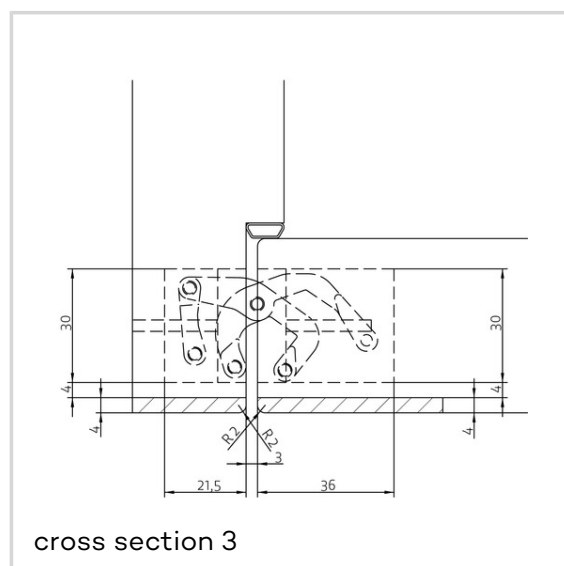
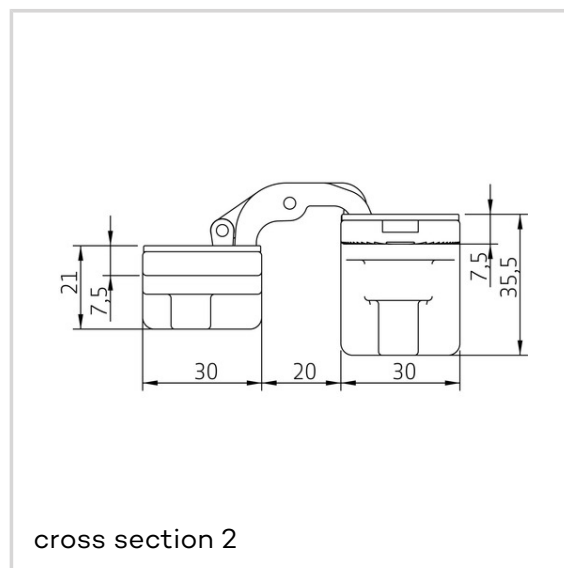
Alternatively, the routing can be carried out with a cutter diameter of 14,0 mm and a collar ring diameter of 25,0 mm.

Combinations

AN 172 3D FZ
AN 172 3D SZ

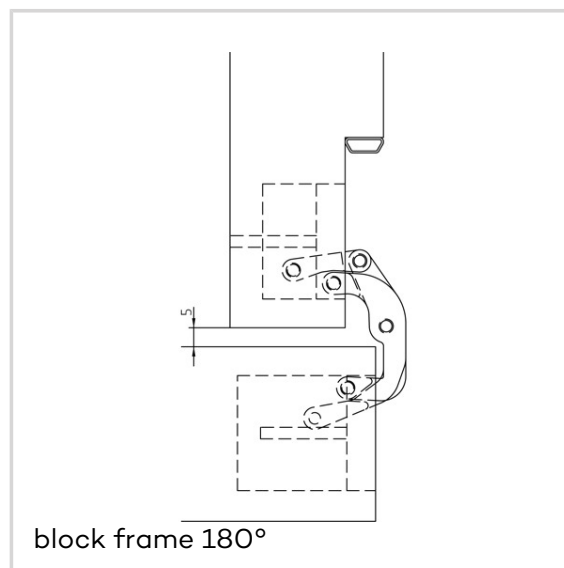
Item versions

Finish	Rustic Umber (AN 012)
VPE	pack of 2
DIN	DIN right and left hand
Article number	AN 172 3D (AN 012)
EAN	8054608708259
Finish	Satin Chrome (AN 014)
VPE	pack of 2
DIN	DIN right and left hand
Article number	AN 172 3D (AN 014)
EAN	8054608708266
Finish	Light Bronze (AN 016)
VPE	pack of 2
DIN	DIN right and left hand
Article number	AN 172 3D (AN 016)
EAN	8054608708280
Finish	Black (AN 018)



ANSELMI - AN 172 3D

VPE	pack of 2
DIN	DIN right and left hand
Article number	AN 172 3D (AN 018)
EAN	8054608708303
Finish	Antique Bronze (AN 035)
VPE	pack of 2
DIN	DIN right and left hand
Article number	AN 172 3D (AN 035)
EAN	8054608708310
Finish	Aluminium Chrome (AN 036)
VPE	pack of 2
DIN	DIN right and left hand
Article number	AN 172 3D (AN 036)
EAN	8054608708327
Finish	Polished Brass (AN 037)
VPE	pack of 2
DIN	DIN right and left hand
Article number	AN 172 3D (AN 037)
EAN	8054608708334
Finish	Polished Chrome (AN 039)
VPE	pack of 2
DIN	DIN right and left hand
Article number	AN 172 3D (AN 039)
EAN	8054608708341
Finish	Satin Nickel (AN 044)
VPE	pack of 2
DIN	DIN right and left hand
Article number	AN 172 3D (AN 044)
EAN	8054608708358
Finish	RAL 9016 Traffic White (AN 049)
VPE	pack of 2
DIN	DIN right and left hand
Article number	AN 172 3D (AN 049)
EAN	8054608708365



ANSELM I - AN 172 3D

Finish	Anthracite (AN 050)
VPE	pack of 2
DIN	DIN right and left hand
Article number	AN 172 3D (AN 050)
EAN	8054608709645
Finish	Medium Bronze (AN 051)
VPE	pack of 2
DIN	DIN right and left hand
Article number	AN 172 3D (AN 051)
EAN	8054608709652
Finish	Copper (AN 052)
VPE	pack of 2
DIN	DIN right and left hand
Article number	AN 172 3D (AN 052)
EAN	8054608709669