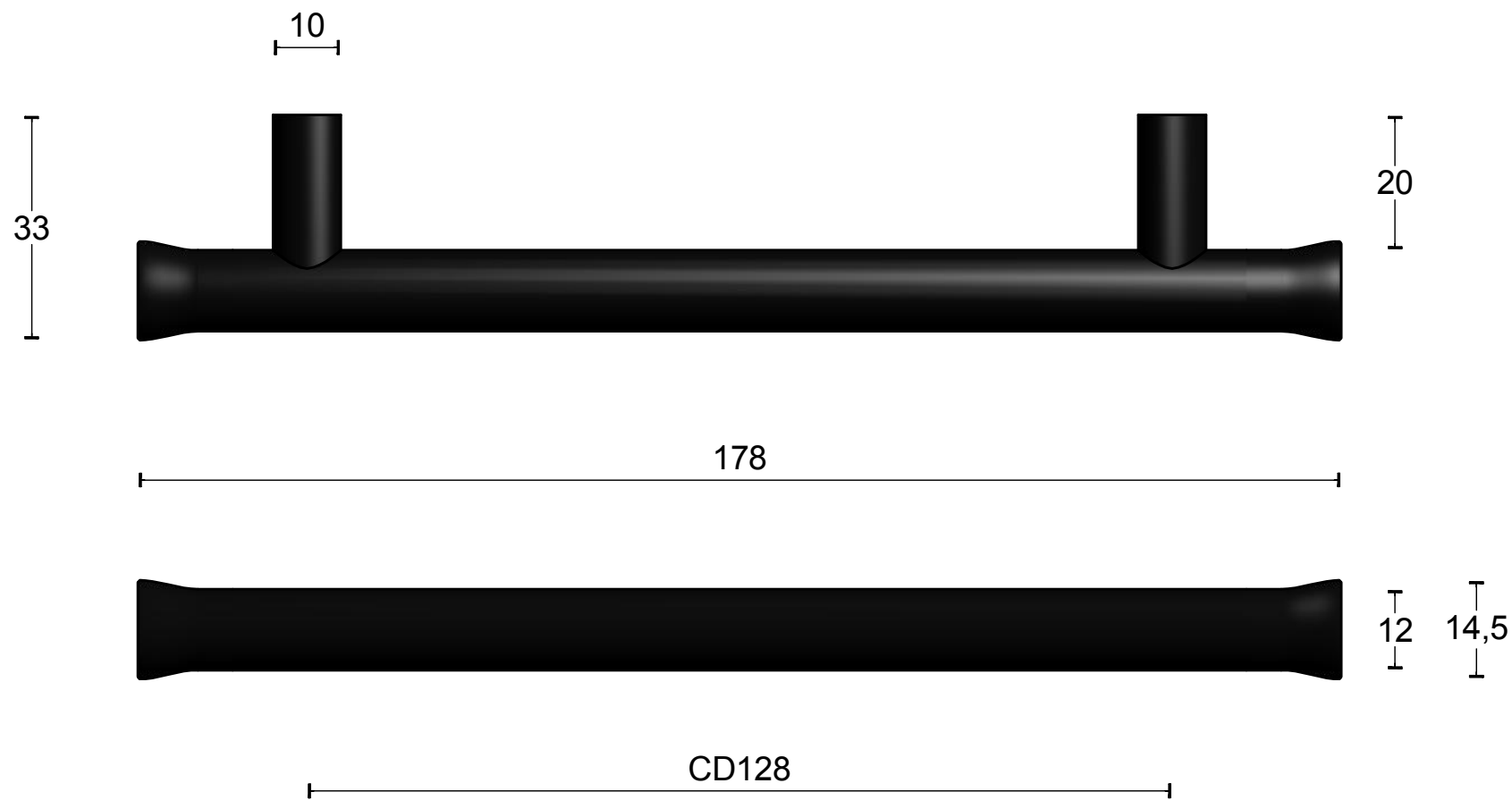
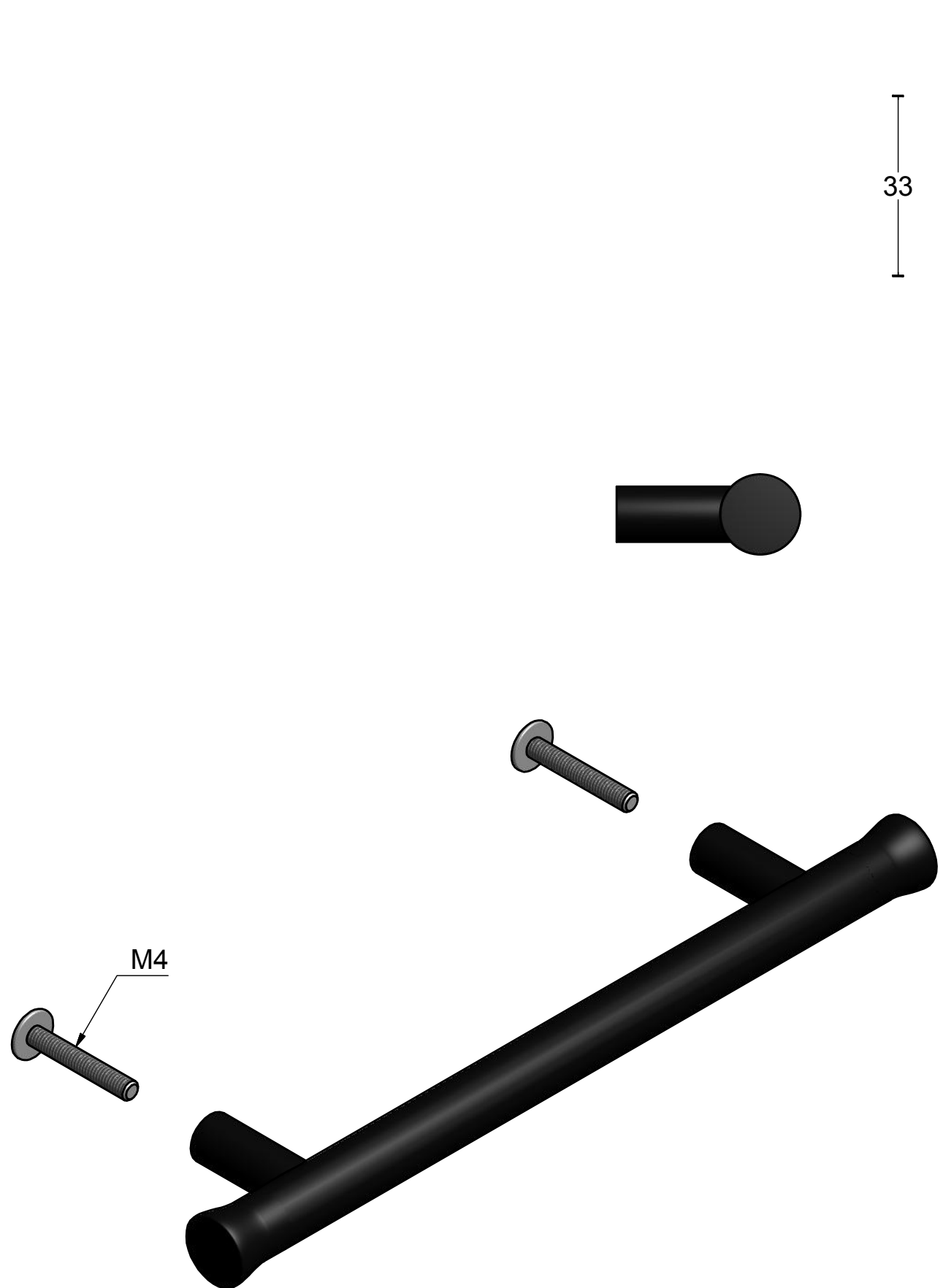


EV9/128

solid cabinet handle
stainless steel
satin black



FORMANI®		Part number:	
		Description:	
Doc no.:	3104M002NMXX0 EV9 128 NM V01.dwg	EV9/128 NM	Format:
Drawn by:	Christian Brimbois		Creation date:
Formani Holland B.V. · Amerikalaan 55 · 6199 AE Maastricht Airport · tel: +31 (0)43 308 90 00 · www.formani.nl · info@formani.nl			

A3