

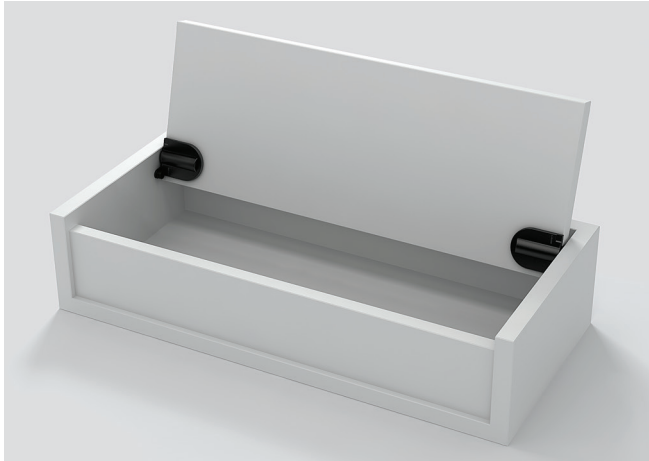
# SOFT-CLOSE HINGE



# HG-JHM20

HINGES

SOFT-CLOSE HINGES



- Hinge with damper built-in to keep lid from slamming shut.
- Mortise mount type.
- Ideal for small size lid.
- Sold in pairs.
- Torque Calculation:  
 $Torque = Door\ Height \times 1/2 \times Door\ Weight$   
 \* Please see diagram below for applicable torque moment.  
 \* Please specify face plate color when ordering.  
 \* Please install Left and Right Brackets on correct side.
- Smaller type HG-JHM16 available.
- Suitable for use in vanity cases, electronics panels in tables, computer terminals for reception desks, etc.



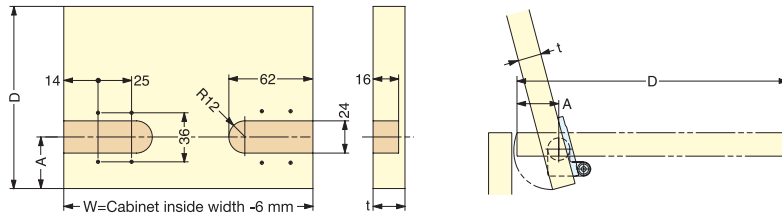
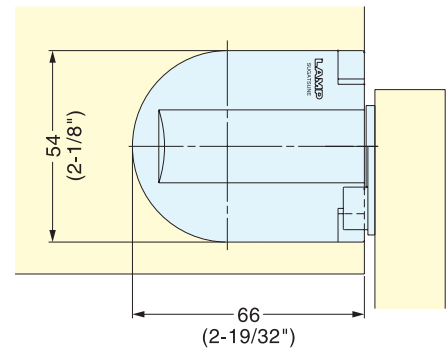
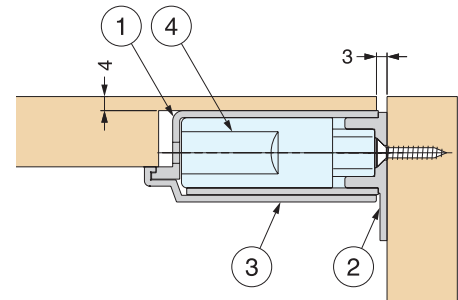
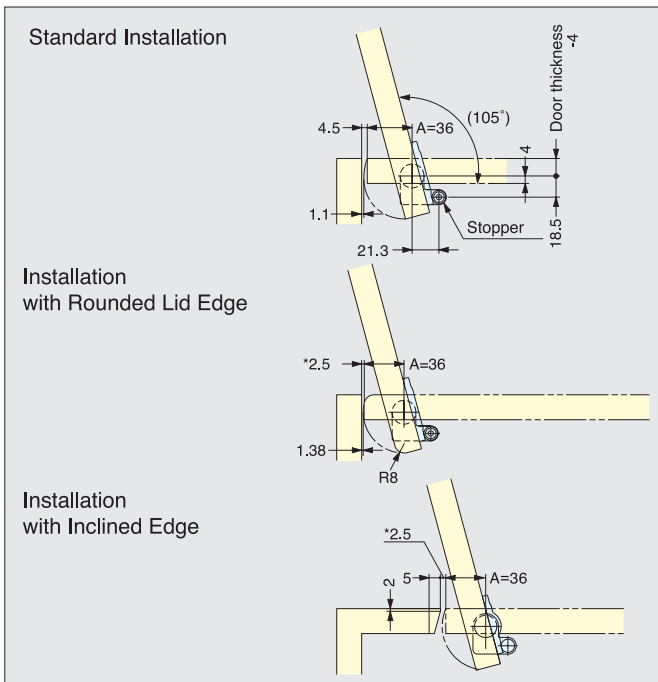
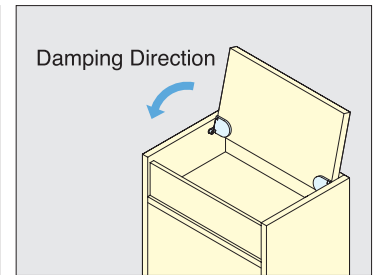
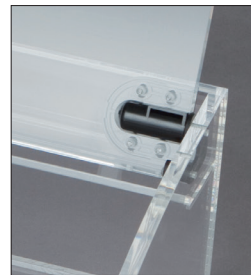
Bracket/Mounting Plate



Black cover



White cover



Item No.	Part Name	Color	Torque per pair (kgf-cm)	Box	Carton
HG-JHM20-80	Body	Black	61.2~81.6 (53~70.8 lbs-in)	10 pairs	90 pairs
HG-JHM20-BL	Cover	Black	-		120 pairs
HG-JHM20-WT		White	-		

No.	Part Name	Material	Finish/Color
①	Bracket	Polyacetal	Black
②	Mounting Plate	Aluminum	
③	Face Plate	ABS	Black/White
④	Damper	304 Stainless Steel	Plain