






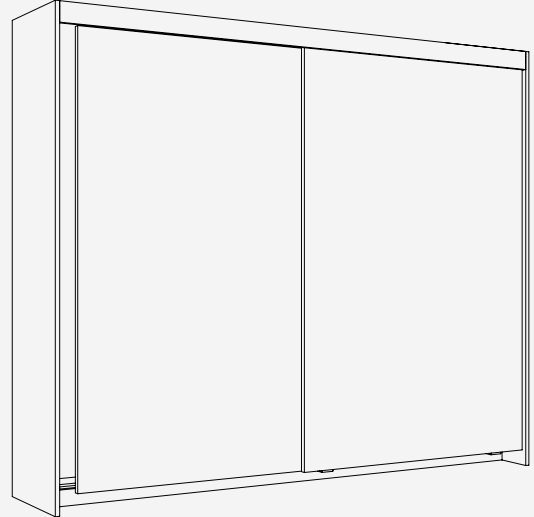
Fitting for 2–3 top-running wooden doors up to 65 kg (143 lbs.) with screwed on running track. Optional soft close integrated in track. Design Mixslide top-running.

Product highlights

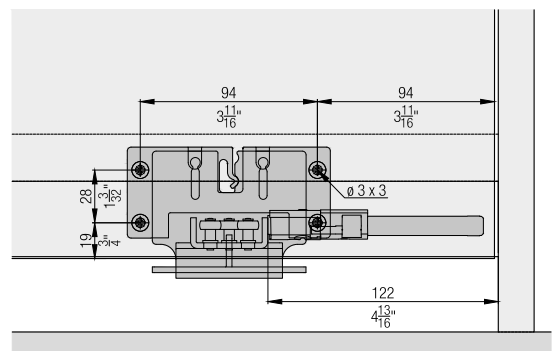
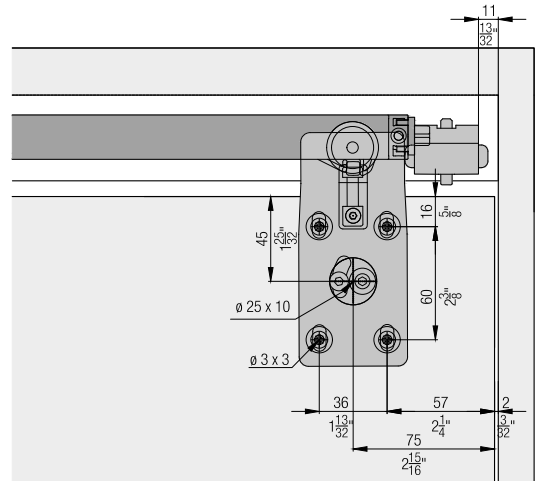
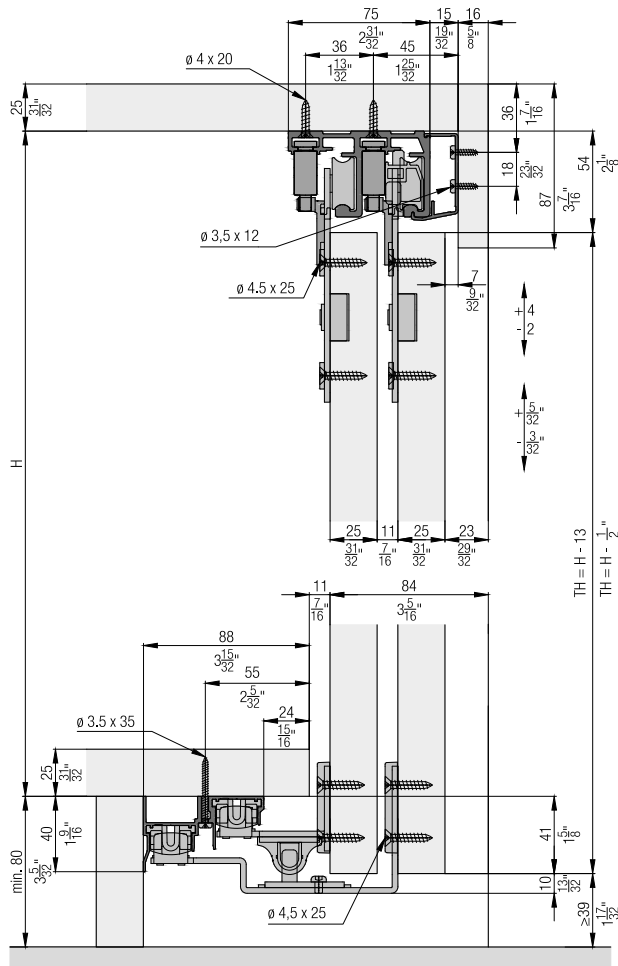
-  **Comfort** Smooth, silent running with Hawa Comfort roller
-  **Comfort** Sophisticated soft closing system and innovation arrangement of the components for very easy operation

Technical specifications

-  Max. 65 kg (143 lbs.)
-  Max. 2600 mm (8'6 3/8")
-  Max. 1400 mm (4'7 1/8")
-  25 mm (31/32")



Installation examples



Set for 2 or 3 wooden doors

	No.
Hawa Combino 65 H MS, door thickness 25 mm (31/32"), for 2 doors	055.3203.071
Hawa Combino 65 H MS, door thickness 25 mm (31/32"), max. door width 1340 mm (4'3/4"), for 3 doors	055.3203.072

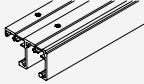
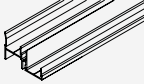

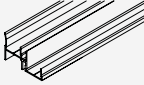
Set consisting of:

		055.3203.071	055.3203.072	No.
 Running gear, steel, zinc-plated	4	6	055.3152.071	
 Guide bracket, interior door, steel, zinc-plated	2	4	055.3136.071	
 Guide bracket, exterior door, 25 mm (31/32"), steel, zinc-plated	2	2	055.3137.071	
 Guide bracket housing, plastic, anthracite	4	6	055.0237.001	
 Stopper, plastic, gray	4	4	055.3153.071	
 Retention spring for stopper, steel	2	3	055.3190.071	
 Stopper guide, plastic, gray	4	4	055.3135.071	
 Door follower, with soft close, plastic, gray	1	2	055.0268.001	
 Activator, for door follower, steel, zinc-plated	1	2	055.0238.101	
 Centering disk, plastic, white	16	24	055.0110.001	
 Countersunk head screw, 4.5x25 mm, steel, zinc-plated	32	48	766.5045.125	
 Thread-cutting rounded head screw, M4x8 mm, steel, zinc-plated	2	3	762.7009.100	
 Thread-cutting rounded head screw, M4x6 mm, steel, zinc-plated	1	2	762.7009.107	
 Thread-cutting countersunk head screw, M3x6 mm, steel, zinc-plated	2	4	600.0000.789	
 Buffer, with adhesive, 2-piece set	1		053.3364.051	

Track sets

	No.
Hawa Combino 65 H MS, 2500 mm (8'2 7/16")	055.3209.071
Hawa Combino 65 H MS, 4000 mm (13'1 15/32")	055.3209.072

Set consisting of:





		mm (inch)	055.3209.071	055.3209.072	No.
 Double running track, aluminum, anodized, pre-drilled	2500 (8'2 7/16")	1		055.3143.250	
 Double guide track, aluminum, anodized, pre-drilled	2500 (8'2 7/16")	1		055.3134.250	
 Double running track, aluminum, anodized, pre-drilled	4000 (13'1 15/32")	1		055.3143.400	
 Double guide track, aluminum, anodized, pre-drilled	4000 (13'1 15/32")	1		055.3134.400	

Soft close

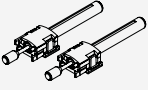

For soft closing in opening and closing direction order 2 sets.

	No.
Hawa Combino 65 H IS/MS, up to 65 kg (143 lbs.), 2 pieces	055.3214.071

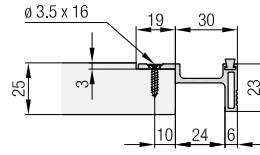
Set consisting of:

		055.3214.071	No.
 Soft close, right, up to 65 kg (143 lbs.)	1		055.3149.071
 Soft close, left, up to 65 kg (143 lbs.)	1		055.3149.072
 Activator, for soft close	2		055.3156.071
 Thread-cutting head screw, M4x8 mm, steel, zinc-plated	2		600.0000.344

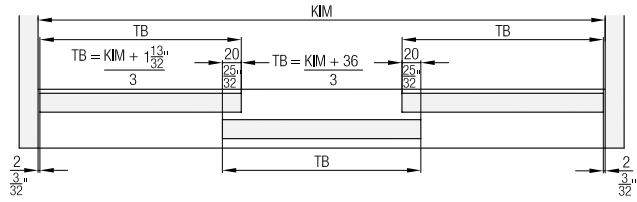
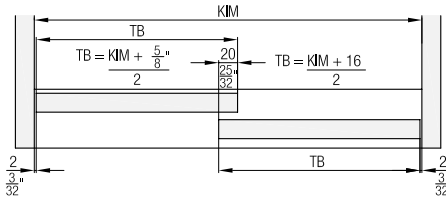
Accessories

		No.
	Soft close for guide (recommended from a door ratio bigger than 1:3. Can only be used with a soft close.)	055.3219.051
	Clip-on component, for wooden panel, every 700-800 mm (2'3 9/16"-2'7 1/2"), aluminum, pre-drilled	055.3155.000

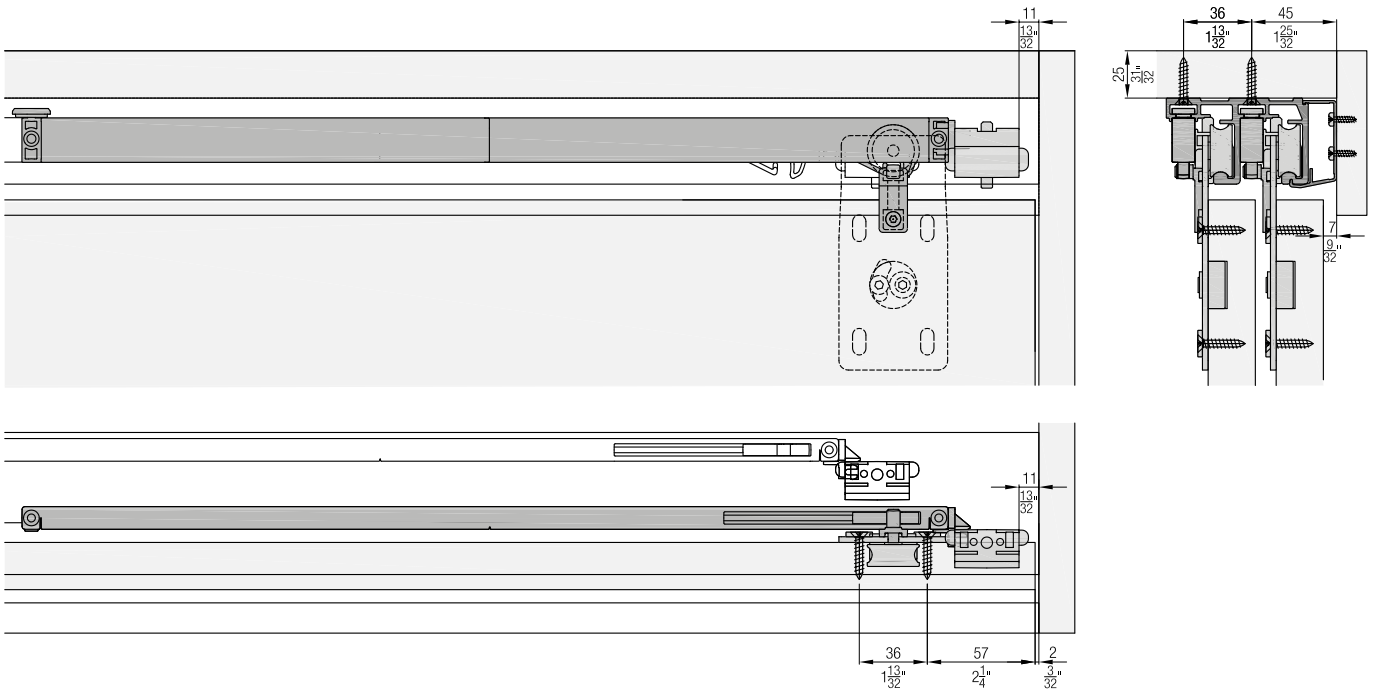
Handle profile



Calculations



Soft close



Accessories

- Straightening fitting from page 266
- Handle profiles from page 268
- Order overview soft close from page 270

Planning/execution

Further information about the product can be found on www.hawa.com.