

Slide

DESIGN
ATIM R&S / ATIM R&D

PIANO SCORREVOLE SU TOP
SLIDING TABLE TOP

FINITURA FINISHING

Anodizzato naturale
Grigio satinato

Anodised aluminium
Gray satin

PORTATA

LOAD CAPACITY

60 Kg equamente distribuiti
60 Kg evenly distributed

PACKAGING

118x46x7 cm
9 Kg
0,039 m³

SCORRIMENTO SLIDING

Cuscinetti a sfera
Ball-bearing slide system

OPTIONAL

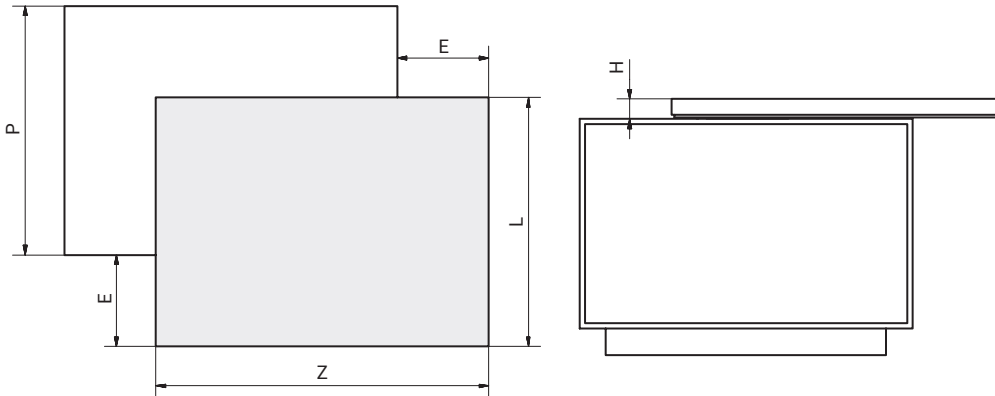
su richiesta on request

KIT TAPPI KIT CAPS

2.9250551.XX



NOTE
L'articolo non prevede la fornitura delle parti in legno.
The item does not include the supply of wooden parts.



CODICE CODE	APERTURA OPENING	P MIN	H MIN	Z	L	S MIN	E
411/78.1241.22	SX/DX (L/R)	1200	75	1200	1200	18	350
411/78.1242.22	DX (R)	950	75	1200	950	18	350
411/78.1243.22	SX (L)	950	75	1200	950	18	350
411/78.1245.22	SX/DX (L/R)	900	75	900	900	18	315

Valori espressi in millimetri. Value expressed in millimetres.

Legenda tabella a pagina 112. Table key on page 112.

