

FLUSH SLIDING DOOR SYSTEM

MFU1200

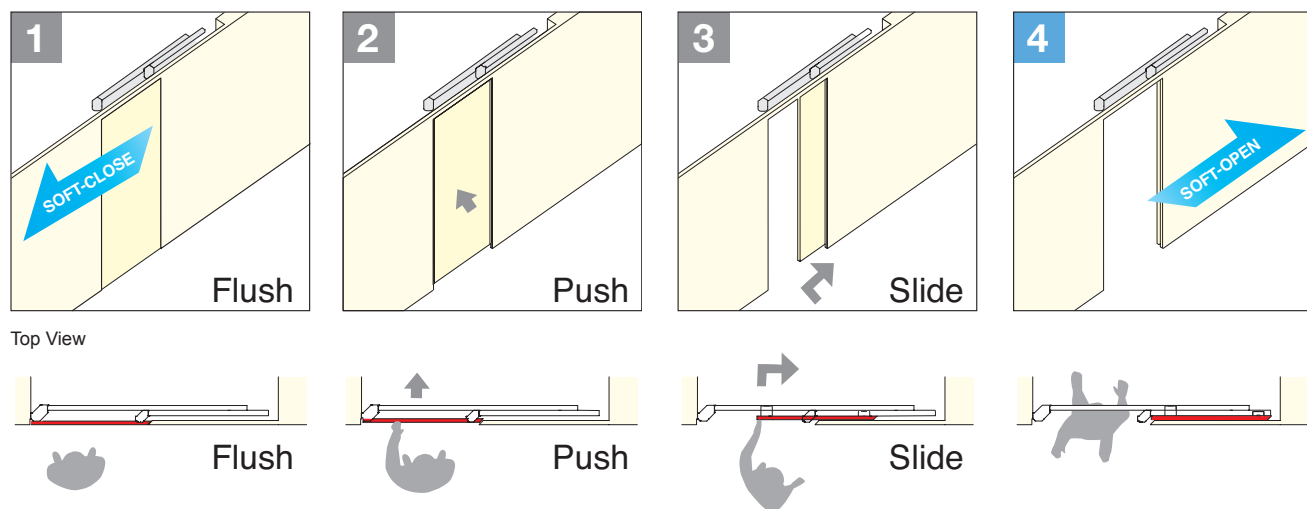
MonoFlat UNISON

	MFU1200-40	MFU1200-70
Door Width	31-1/2"~47-1/4" (800~1200 mm)	
Door Height	Max. 106-5/16" (2700 mm)	
Door Thickness	1-3/16"~1-9/16" (30-40 mm)	
Door Weight	44~88 lbs (20-40 kg)	88~154 lbs (40-70 kg)
Adjustability	Depth: ±3.5 mm (1/8")	
	Horizontal: ±4 mm (3/16")	
	Vertical: ±4 mm (3/16")	

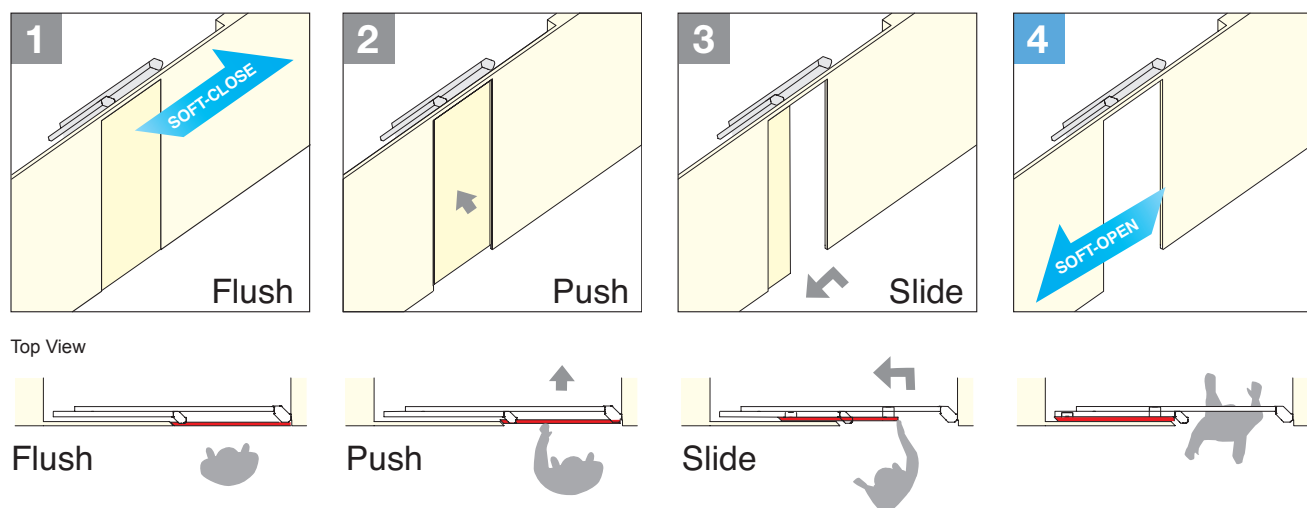
- Designed to CLOSE FLUSH against surrounding walls, providing clean appearance.
- UNIQUE MOVEMENT: Recesses in, and then slides sideways.
- CLEAN APPEARANCE: No floor tracks required on MFU-System.
- Excellent performance, reliable and fully adjustable.
- Features two way damper to avoid slamming open or closed.
- DURABILITY: High durability, passed 100,000 open/close cycle test (private).

Item No.	Description	Door Weight
MFU1200-40-L (Light duty Left)	Left to Right Opening	44 - 88 lbs (20-40 kg)
MFU1200-40-R (Light duty Right)	Right to Left Opening	
MFU1200-70-L (Heavy duty Left)	Left to Right Opening	88-154 lbs (40-70 kg)
MFU1200-70-R (Heavy duty Right)	Right to Left Opening	

Left to Right Opening Model



Right to Left Opening Model



* The door cannot be opened from the inside without a handle (not included).

FLUSH SLIDING DOOR SYSTEM

MFU1200

Right to Left model shown



Left to Right model shown



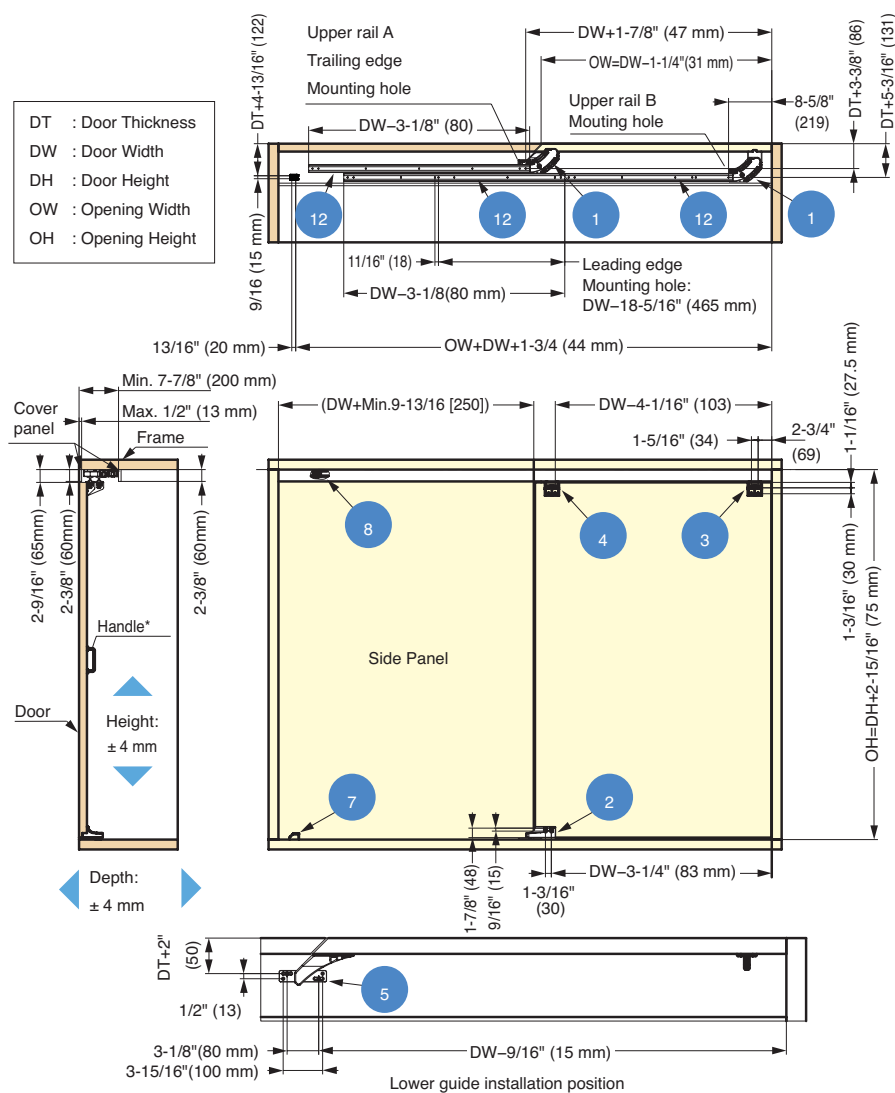
FLUSH SLIDING DOOR SYSTEM (CONT.)

MFU1200

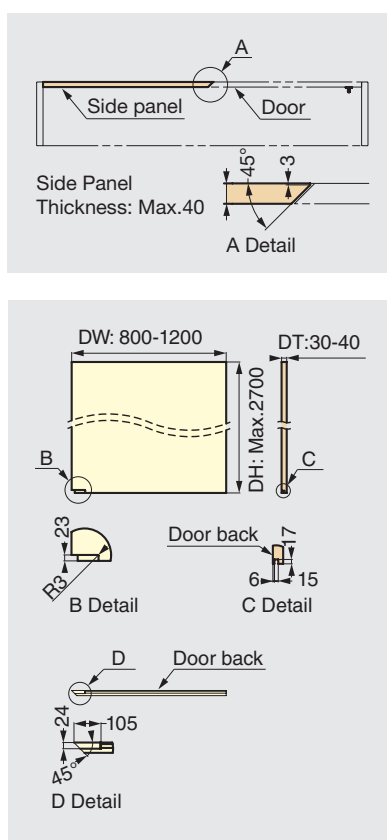
Left to Right model shown



Installation



Chamfering

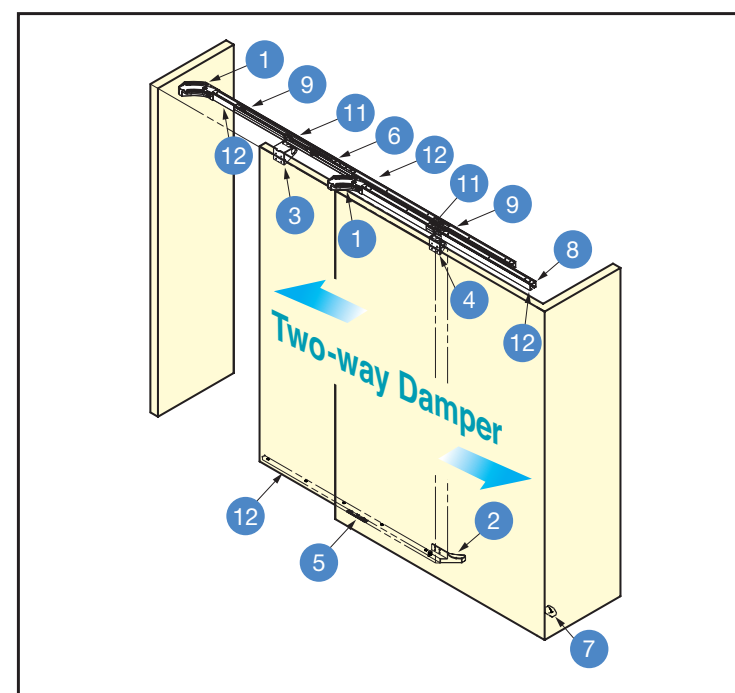


Part Details

Self-Close Rollers		included			
No.	Type	Item No.	Part Name	Drawing	Description
11	Door Weight 44-88 lbs (20-40 kg)	MFU1200-40DSC-BL	Soft closer (leading edge) 1 pc		•Material: steel/POM •Finish: electro-deposition / black
	Door Weight 88-154 lbs (40-70 kg)	MFU1200-70DSC-BL	Door roller (trailing edge) 1 pc		•Material: steel •Finish: electro-deposition / black

Tracks		included			
No.	Item No.	Part Name	Drawing	Description	
12	MFU1200-RS-BL	Upper track A* 1120mm 2 pcs		•Material: aluminium alloy •Finish: black anodising + coating / clear	
		Upper track B 850mm 1 pc			
		Bottom guide channel 1100mm 1 pc		•Material: aluminium alloy •Finish: silver anodising + coating / clear	

* Cut upper track A and bottom track according to the door size.



Item Name	Description
MFU1200-L-BL	Left to Right Opening
MFU1200-R-BL	Right to Left Opening

Detail

No.	Qty	Part Name	Drawing (L type) in mm	Description
1	2	Guiding track (top)		•Material: aluminium alloy •Finish: enamel / black
2	1	Guiding track (bottom)		•Material: aluminium alloy •Finish: enamel / black
3	1	Bracket (leading edge)		•Material: steel •Finish: enamel / black
4	1	Bracket (trailing edge)		•Material: steel •Finish: enamel / black
5	1	Bottom guide		•Material: steel / POM •Finish/Color: electro-deposition / black
6	1	Connecting plate		•Material: steel •Finish: electro-deposition / black
7	1	Door stopper (floor)		•Material: zinc alloy / elastomer •Finish/Color: chromate treatment (trivalent)/grey
8	1	Bumper block		•Material: steel/elastomer •Finish/Color: chromate/grey
9	2	Trigger		•Material: steel •Finish: chromate treatment (trivalent)
10	1	Jig	Can be ordered separately	Item Name: FD80-TRJ •Material: POM •Color: green