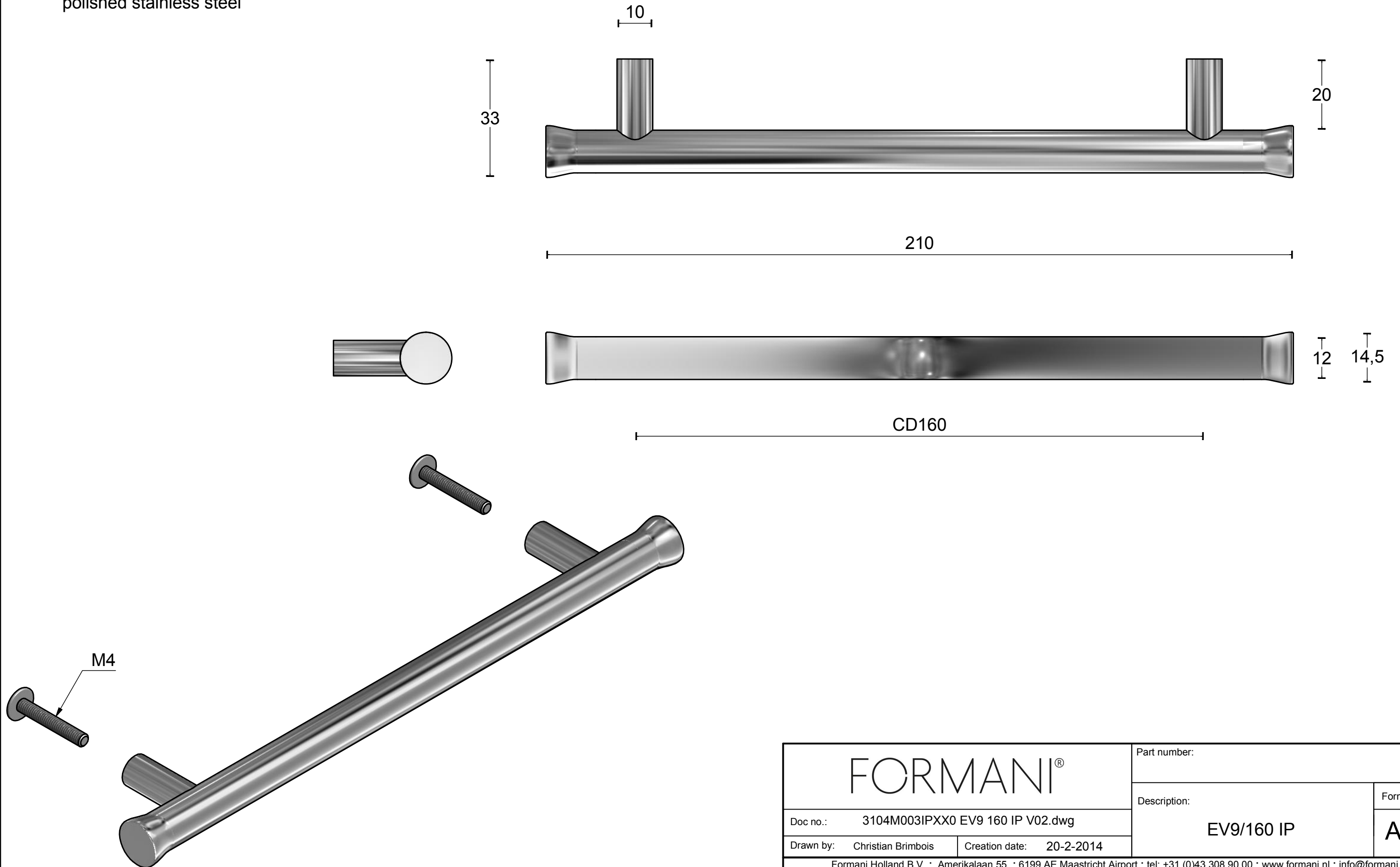


EV9/160

solid cabinet handle
polished stainless steel



FORMANI®		Part number:	
		Description:	
Doc no.: 3104M003IPXX0 EV9 160 IP V02.dwg	EV9/160 IP		Format: A3
Drawn by: Christian Brimbois	Creation date: 20-2-2014		
Formani Holland B.V. · Amerikalaan 55 · 6199 AE Maastricht Airport · tel: +31 (0)43 308 90 00 · www.formani.nl · info@formani.nl			